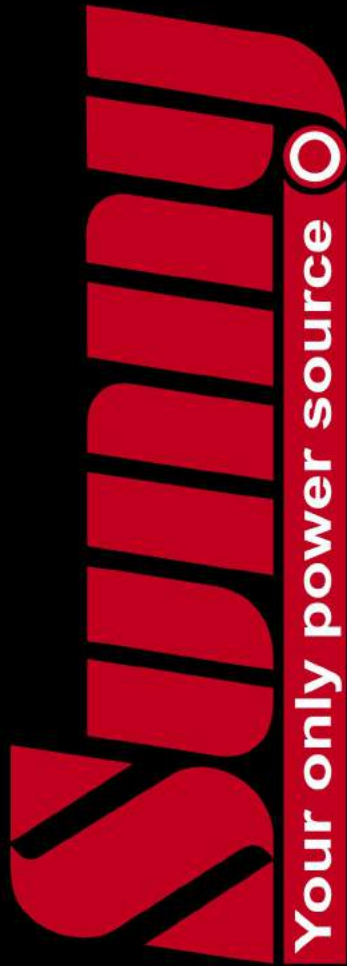


2017



The Professional Power Supply Designer and Manufacturer!



Wall Mount Power Supplies



SYS1000-Wxx series	Clearance sale
SYS1001-W2E series	
SYS1001-Wxx 6W series	
SYS1421-Wxx series	
SYS1573-Wxx series	
YJXX-0703-W2E	
SYS1561-Wxx series	
SYS1001-Wxx 12W series	
SYS1460-Wxx series	Clearance sale
SYS1381-Wxx series	
SYS1530-Wxx series	
SYS1531-Wxx series	
SYS1529-Wxx series	
SYS1308-Wxx series	
SYS1449-Wxx series	
SYS1541-Wxx series	
SYS1357-Wxx series	Clearance sale
SYS1308 special	
SYS1452-W2E series	
SYS1588-W2E 30W series	
SYS1588-Wxx 30W series	
SYS1588-W2E 40W series	
SYS1588-Wxx 40W series	

Desktop Power Supplies



PoE-M3 series	Clearance sale
SYS1001-T2 6W series	
SYS1001-T3 6W series	
SYS1001-T2 12W series	
SYS1001-T3 12W series	
SYS1544-T2 series	
SYS1544-T3 series	
SYS1319-T2 series	
SYS1319-T3 series	
SYS1588-T2 30W series	
SYS1588-T3 30W series	
SYS1002-T3 series	Clearance sale
SYS1546-T2 series	
SYS1546-T3 series	
SYS1588-T2 40W series	
SYS1588-T3 40W series	
SYS1548-T2 series	
SYS1548-T3 series	
SYS1443-T3 series	Clearance sale
ATS065T-T3 series	
SYS1183-Wxx series	Clearance sale
SYS1575-M3 series	
DRST-90xx-T3/M3 series	
STXX-90xx-M3 series	Clearance sale
SYS1576-M3 series	
DRST-120xx-T3 series	
DRST-160xx-T3 series	
DRST-200xx-T3 series	

Laptop Power Supplies



STxx-40xx-T2 series	Clearance sale
SKxx-65xx-ST2 series	Clearance sale
SKxx-90xx-ST2 series	Clearance sale

LED Drivers



[SYL1460-Wxx series](#)

Car adapters



YJxx-90xx-C12 series	Clearance sale
SYD-1151-CUV series	

USB Charging Stations



SYD1181 series	
SYD1182 series	

Power cords | Cables | Connectors



IEC320-C5 series
IEC320-C7 series
IEC320-C13 series
Extension cable Plug
Extension cable Jack
Extension cable Jack to Plug
Extension cable Plug to Plug
Extension cable Switch
Extension cable USB
Cable Splitter
Cable Splitter Chain
Reduction connectors

Country of Origin : China
 Operating Temperature : 0~40 [°C]
 Dimension : 59 x 26 x 41 [mm]

Efficiency level (ErP) :



Approvals / Marks :



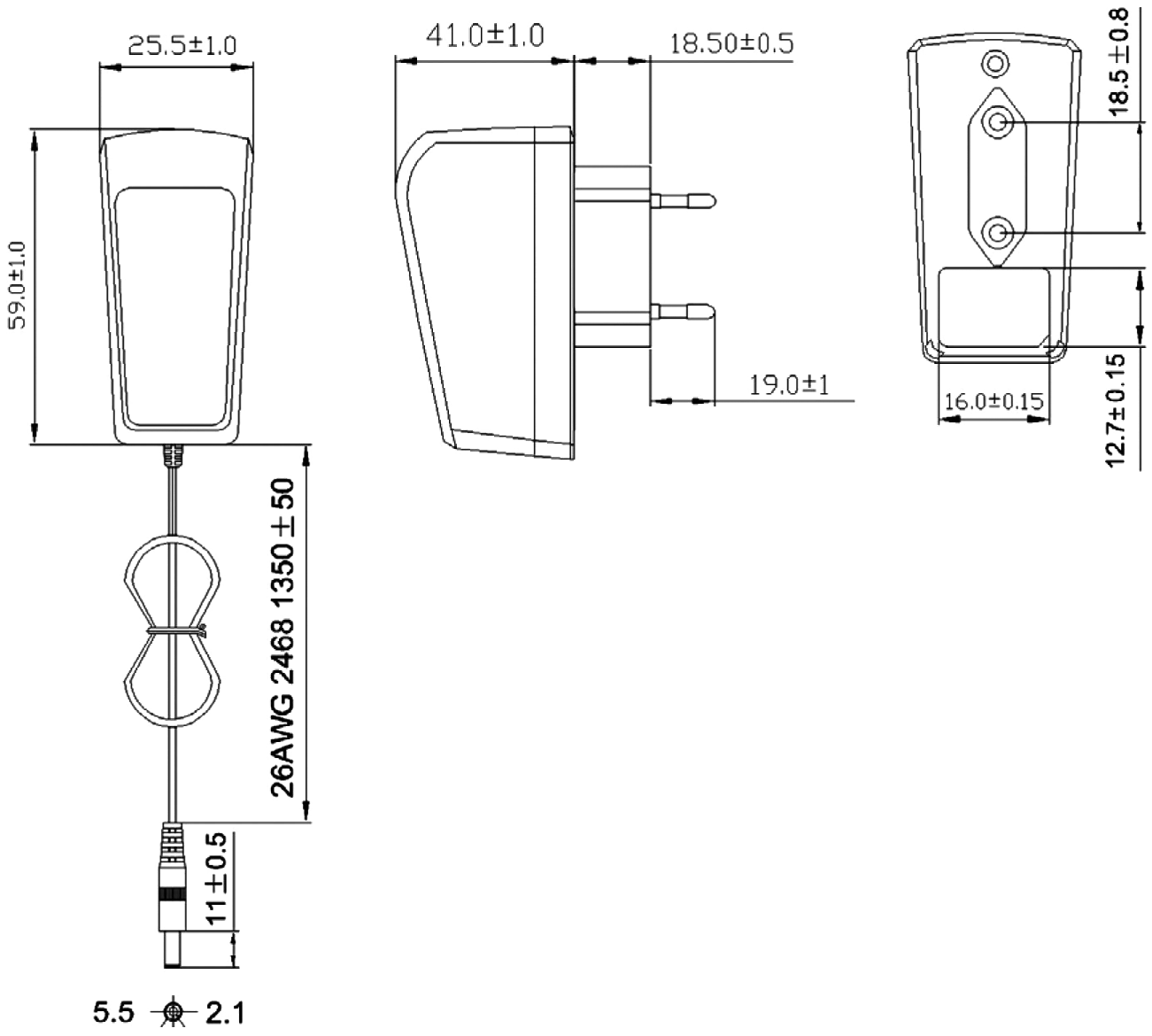
Features:

Wide range Input (90 ~ 264)VAC / (47 ~ 63) Hz.	RoHS conform.
Over load, over voltage & short protection.	

Specification:

	Model	Voltage DC [V]	Loading [A]	Tol. [V]	OCP [A]	OVP max [V]	Efficiency [%]	Max. Power [W]	Ripple & Noise [mV]p-p	Connector [mm]
ErP V.	SYS1000-0305-W2E	5	0.0~0.5	4.75~5.25	0.55~1A	8V max.	≥67.97	3	200	2.1x5.5x11
	SYS1000-0309-W2E	9	0.0~0.3	8.55~9.45	0.33~0.6A	15V max.	≥68.46	3	200	2.1x5.5x11
INPUT	Voltage	(90 ~ 264) VAC								
	Frequency	(47 ~ 63) Hz								
	Current	The input current must be less than 0.4A at 100-240Vac input & Full load.								
	Inrush Current (cold start)	The inrush current must be less than 30A at 240Vac input and full load.								
	Surge Current max.	40Amax. @ power supply cold start, ambient temperature 25°C @115Vac/230Vac nominal AC input.								
	Leakage current	0.25mA Max.								
PROTECTION	Over load	OCP	The power supply shall be self-recovering when the fault condition is removed.							
	Over Voltage	OVP	The power supply shall be self-recovering when the fault condition is removed.							
	Short Circuit	The adaptor shall hiccup and the input power shall decrease when the output is shorted, the power supply shall have no damage, and can be self-recovered when the fault condition is removed.								
	Input protection	10R 1W The power supply shall be protected against power line surges and any abnormal condition								
	Protection class	II.								
OTHERS	Insulation Resistance	Input to output: 50M OHM at 500VDC.								
	Dielectric Strength	I/P-O/P (FG): 3KVAC / 10mA / 1 min								
	Turn on delay	3Sec max. @ AC low line input @ output full load								
	Hold-up Time	4ms Min. @ AC nominal Input and Output full load (1 half cycle)								
	MTBF Qualification	500,000 Calculated Hours at 25°C, by Telcordia SR-332								
	DC cable & connector	2468#26AWG*2C/4.5feet PVC BLACK 80°C - 2.1*5.5*11mm/180° Center "+" or depends on request								
	Average Efficiency	The efficiency shall be higher than >=67.97% - >=69% typical while measuring at nominal line and maximum load.(Meet Energy level V)								
	Standby Power	The standby power must be less than 0.3W at 100-240Vac input.								
	Start-Up and Turn-off	The start-up time (Ton) : 4seconds Max. The output rise time (Trise) : 25ms Max.								
ENVIRONMENT	Temperature	Operating: (0 ~ 40)°C / Storage: (-20 ~ 85)°C								
	Humidity	Operating: (10 ~ 90)% RH / Storage: (5 ~ 95)% RH non condensing								
SAFETY		CE TUV/GS CB								
CE	EMC	2014/30/EU								
	LVD	2014/35/EU EN 60950-1:2006+A11+A1+A12+A2								
WEIGHT	1pc	N.W.: 55g / pc								
		0.265x 0.325 x 0.465 (m)								
PACKING	Box	150 pcs / 1box								
		G.W.: 10.5kg / box								

Mechanical case specification:



Country of Origin : China
 Operating Temperature : 0~40 [°C]
 Dimension : 64 × 27 × 39 [mm]
 Efficiency level (ErP) : V



Approvals / Marks :



Specifications

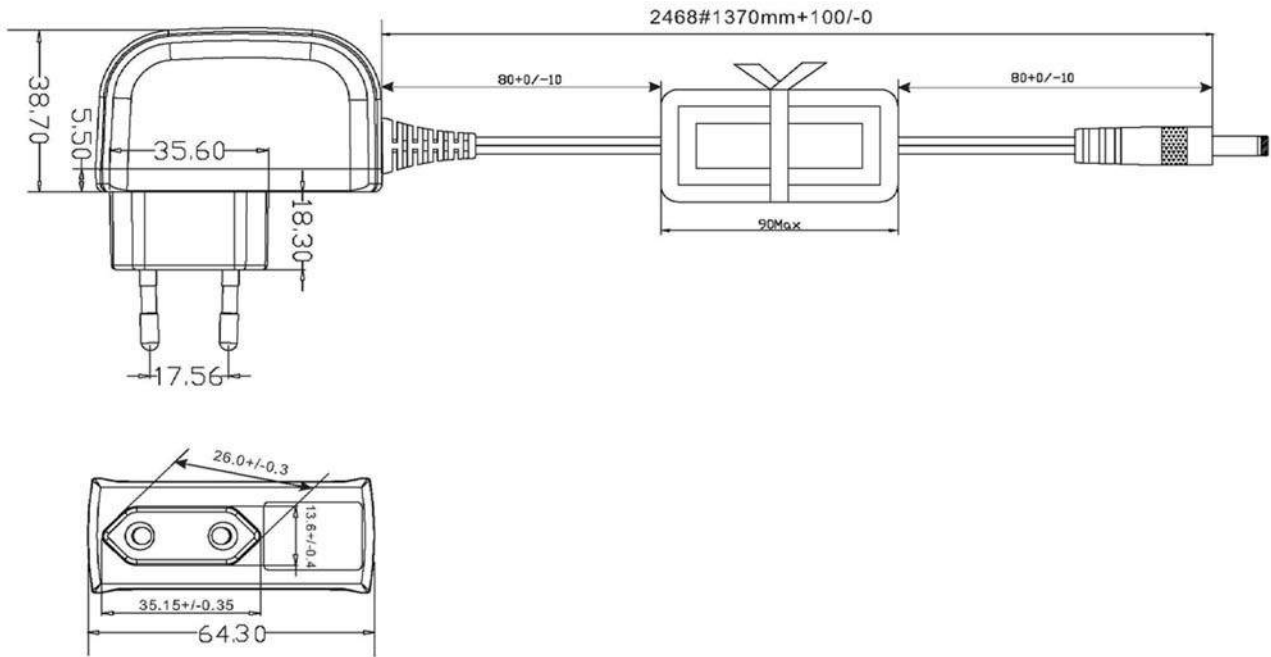
Model	Voltage DC [V]	Loading [A]	Max. Power [W]	Ripple / Noise [mV] p-p	Connector [mm]
SYS1001-0312-W2E	12	0~0.25	3	200	2.1x5.5x11

Features:

Output connector: standard: 2.1 x 5.5 x 11mm or customer requirement | Regulated Output With Low Ripple Noise | Safety Agency Requirements and EMV/EMS Certified
 Private Label Marking Available | Modified and Custom Design Available | 2 Years Warranty

OUTPUT		CE	
Turn delay	3000ms max@AC low line input@output full load	EMC	2014/30/EU
Hold up time	8ms min@AC nominal input@output full load	LVD	2014/35/EU EN60950-1 : 2006 + A11 + A1 + A12 + A2
Efficiency (Normal)	>69%@115v/60HZ,230V/50HZ input & Full load	SAFETY	
Transient response (dv,tmax)	0.4V dv max At AC nominal input loading from 20%load to 80% load	GS CE CB	
	16ms tmax Dynamic rise time 10 us max,duty 40ms max,Dynamic load step is slew rate of 0.5A/us	OTHERS	
Power out.Limit	3W	Dielectric Strength (Hi-pot)	I/P-O/P:3000VAC
Burn in limit	220VAC 80% Load (Ref) 4 hours & 40°C + 5°C -0°C	M.T.B.F	500,000 Calculated Hours at 25°C, by Telcordia SR-332
Power consumption	0.3W max. At AC nominal input@output min load	Cable Length	1370mm (4.5 feet) standard cable or as required
INPUT		PLD (power line disturbance)	Line power surge Line voltage SAG-more info on request
Voltage	(90~264)VAC	Cooling method	Natural Convection Cooling
Frequency	(47~63)hz	Housing material	PC + ABS
Current	0.5A rms@AC low line input and DC output full load	Temperature coefficient:	< ±0.5% / °C
Inrush Surge Current (cold start)	30/40A max@power supply cold start,ambient temperature 25°C @100Vac/240Vac nominal AC input	ENVIRONMENT	
leakage current	0.25mA Max	Temperature	Operating: 0~40°C / Storage: -20~85°C
PROTECTION		Humidity	Operating: 8%~90%RH / Storage: 5%~95% RH non condensing
Over current/ Short protection	The power supply will be auto recovered when over current or short circuit faults remove (fold back). Is defined as any output impedance of less than 0.1Ω.The power supply will be auto recovered when short circuit faults remove	WEIGHT	
Over Voltage	The power supply will not be auto recovered when faults remove 110%-150%. (Voltage limit)	NW:	80g/pc
Input protection	F1:1A 250V Fuse The power supply shall be protected against power line surges and any abnormal condition	GW:	95g/pc
No Load protection	The power supply is provided with no load operation to prevent the power supply and system from damage.	PACKING	
Protection class	II	Box	100 pcs/1 box

Mechanical specification:



Country of Origin : China
 Operating Temperature : 0~40 [°C]
 Dimension : 73.8 × 44.3 × 28.8 [mm]
 Certified AC Plugs: EU, UK, USA/Japan/Taiwan, Aus, China, Korea
 Efficiency level (ErP) : VI



Approvals / Marks :



Specifications

Model	Voltage DC [V]	Loading [A]	Max. Power [W]	Ripple / Noise [mV] p-p	Connector [mm]
SYS1001-0505-Wxx*	5	0~1.0	5	150	2.1x5.5x11
SYS1001-0608-Wxx*	7,5	0~0.8	6	150	2.1x5.5x11
SYS1001-0609-Wxx*	9	0~0.66	6	150	2.1x5.5x11
SYS1001-0612-Wxx*	12	0~0.5	6	150	2.1x5.5x11
SYS1001-0615-Wxx*	15	0~0.4	6	200	2.1x5.5x11
SYS1001-0618-Wxx*	18	0~0.33	6	200	2.1x5.5x11
SYS1001-0624-Wxx*	24	0~0.25	6	240	2.1x5.5x11

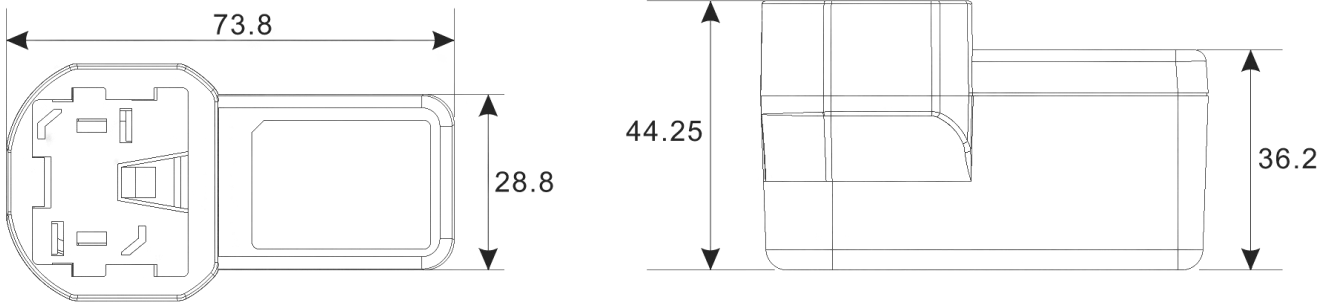
Features:

Certified plugs Wxx = W2E - Europe | W3U - England | W2 - USA, Canada, Japan,Taiwan | W2A - Australia | W2C - China | W2K - Korea
 Output connector: standard: 2.1 x 5.5 x 11mm or customer requirement | Regulated Output With Low Ripple Noise | Safety Agency Requirements and EMI/EMS Certified
 Private Label Marking Available | Modified and Custom Design Available | 2 Years Warranty

OUTPUT	
Turn delay	3000ms max@AC low line input@output full load
Hold up time	8ms min@AC nominal input@output full load
Efficiency (Normal)	>72%@115v/60HZ,230V/50HZ input & Full load
Transient response (dv,tmax)	0.4V dv max At AC nominal input loading from 20%load to 80% load 16ms tmax Dynamic rise time 10 us max,duty 40ms max,Dynamic load step is slew rate of 0.5A/us
Power out.Limit	6W
Burn in limit	Full load 2 Hours
Power consumption	0.1W max. At AC nominal input@output min load
INPUT	
Voltage	(90~264)VAC
Frequency	(47~63)hz
Current	0.5A rms@AC low line input and DC output full load
Inrush Surge Current (cold start)	30/40A max@power supply cold start,ambient temperature 25°C @115Vac/230Vac nominal AC input
leakage current	0.25mA Max
PROTECTION	
Over current/ Short protection	The power supply will be auto recovered when over current or short circuit faults remove (fold back). Is defined as any output impedance of less than 0.1Ω.The power supply will be auto recovered when short circuit faults remove
Over Voltage	The power supply will not be auto recovered when faults remove 110%-150%. (Voltage limit)
Input protection	F1 1A/250V Fuse The power supply shall be protected against power line surges and any abnormal condition
No Load protection	The power supply is provided with no load operation to prevent the power supply and system from damage.
Protection class	II

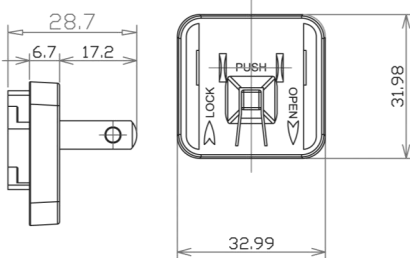
CE	
EMC	2014/30/EU
LVD	2014/35/EU EN60950-1 : 2006 + A11 + A1 + A12 + A2
SAFETY	
cUL FCC GS CE CB RCM EAC BSMI PSE CCC VCCI	
OTHERS	
Dielectric Strength (Hi-pot)	I/P-O/P:3000VAC
M.T.B.F	500,000 Calculated Hours at 25°C, by Telcordia SR-332
Cable Length	1370mm (4.5 feet) standard cable or as required
PLD (power line disturbance)	Line power surge Line voltage SAG-more info on request
Cooling method	Natural Convection Cooling
Housing material	PC + ABS
Temperature coefficient:	< ±0.5% / °C
ENVIRONMENT	
Temperature	Operating: 0~40°C / Storage: -20~85°C
Humidity	Operating: 8%~90%RH / Storage: 5%~95% RH non condensing
WEIGHT	
NW: 80g/pc + plug	
GW:95g/pc + plug	
PACKING	
Box	100 pcs/1 box

Mechanical case specification:

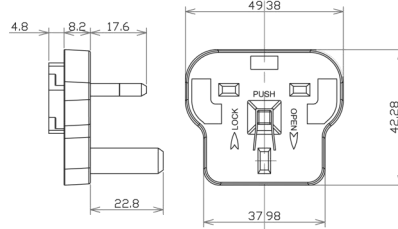


Mechanical specification (country housing):

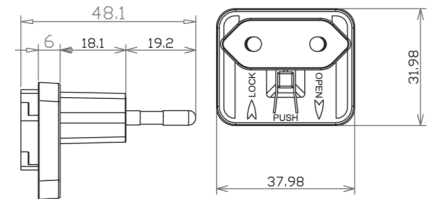
US / Japan type (W2)



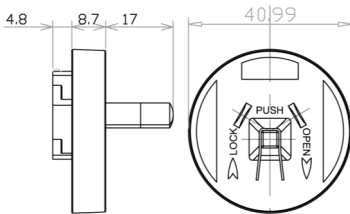
UK type (W3U)



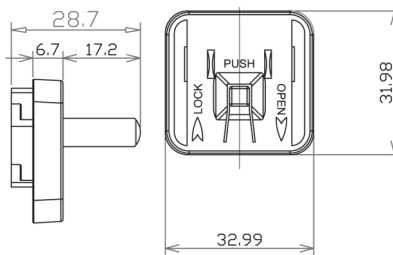
Europe type (W2E)



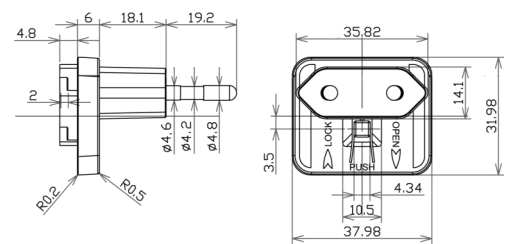
Australia type (W2A)



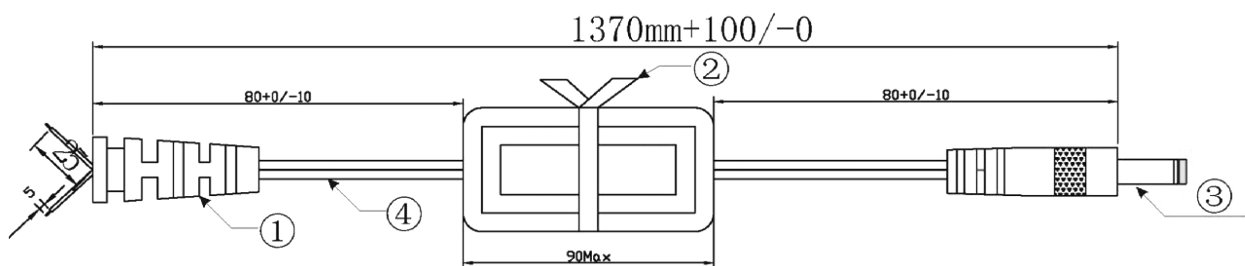
China type (W2C)



Korea type (W2K)



Cable specification:



Country of Origin : China
 Operating Temperature : 0~40 [°C]
 Dimension : 64 x 40.5 x 25.5 [mm]

Efficiency level (ErP) :



Approvals / Marks :

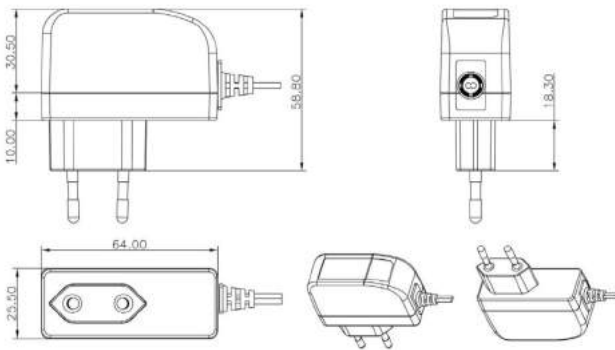


Features:		
Overload, over voltage & short protection.	PSU housing ready for use in country :	
Wide range Input (90 ~ 264) VAC / (47 ~ 63) Hz.	USA/Japan/ (type W2)	Europe (type W2E)
Wall-mount power supply, single output.	Australia (type W2A)	Korea (type W2K)
For I.T.E. use only + RoHS conform.	UK (type W3U)	China (type W2C)

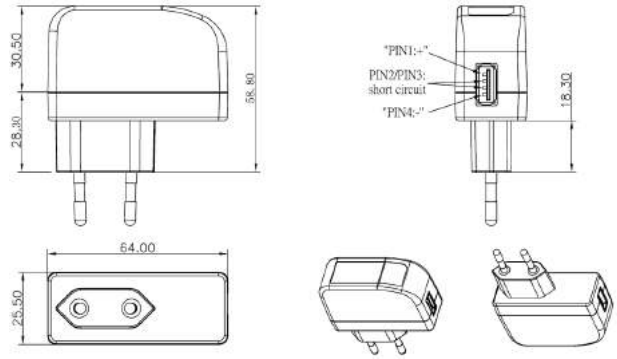
Specification:										
	Model	Voltage DC [V]	Loading [A]	Tol. [%]	OCP [A]	OVP [V]	Efficiency [%]	Max. Power [W]	Ripple & Noise [mV] p-p	Connector UL approval [mm]
ErP V.	SYS1421-0605-Wxx	5	0~1.2	±5	1.5~3.5	12±4	>69.53	6	150	2.1x5.5x11
	SYS1421-0605-Wxx	5	0~1.2	±5	1.3~3.0	12±4	>68.10	6	150	mini USB
	SYS1421-0605-Wxx	5	0~1.2	±5	1.3~3.0	12±4	>66.49	6	150	micro USB
	SYS1421-0605-Wxx	5	0~1.2	±5	0.75~2	12±4	>62.97	6	150	USB inlet
	SYS1421-0612-Wxx	12	0~0.5	±5	0.6~2.0	17±4	>73.41	6	150	2.1x5.5x11
ErP V. / CE only	SYS1421-0303-Wxx	3.3	0~1.0	±5	1.2~2.5	8	>62.00	3.3	150	2.1x5.5x11
Wxx	Possible to order with Wxx = W2E - Europe W2 - USA,Canada,Japan W3U - UK W2A - Australia W2C - China W2K -Korea									
OEM Production	This model is certified for Uout= 5V & Pout=(2.5 or 4 or 5 or 6)W and Uout=12V/Pout=6W									
OUTPUT	Turn on delay	5000 ms max @ AC low line input@output full load								
	Hold up time	8ms min @ AC nominal input@ output full load (> half cycle)								
	Efficiency (Normal)	In the table above minimum average efficiency in active mode (Meet EuP2)								
	Transient response (dv, tmax)	0.4V dv max @ AC nominal input loading from 20% load to 80% load 6ms tmax Dynamic rise time 10uS max, duty 40mS max, Dynamic load step is slew rate of 0.5A/uS								
	Power out. Limit	Peak 7W for model- 0605								
	Burn in test	Full load 2 Hours before testing								
INPUT	Voltage	(90 ~ 264)VAC								
	Frequency	(47 ~ 63) Hz								
	Current	0.5A rms @ AC low line input and DC output full load								
	Inrush Surge Current (cold start)	30/60A max @ power supply cold start, ambient temperature 25°C @ 115Vac / 230Vac nominal AC input.								
	Leakage current	0.25 mA Max.								
	Power consumption	0.3W rms max. At AC nominal input @ output min load								
PROTECTION	Over Current /Short protection	The power supply will self-protect any output to ground, and auto recovery when abnormal circuit faults remove. An output short circuit is defined as any output impedance of less than 0.1 ohms. [OCP]								
	Over Voltage	The power supply will not be auto recovered when faults remove >>Voltage limit<< [OVP]								
	Input protection	1A Fuse or 10R2W The power supply shall be protected against power line surges and any abnormal condition.								
	No load protection	The power supply is provided with no load operation to prevent the power supply and system from damage.								
	Protection class	II.								
OTHERS	Dielectric Strength (Hi-pot)	Primary to Secondary: 3000VAC / 10mA / 60s								
	M.T.B.F	500,000 Calculated Hours at 25°C, by Telcordia SR-332								
	Cable length / type	Standard 2468#24/5ft for USB products round cable 1185#22/6ft for SYS1421-0303 2468#22/4,5ft or depends on customer requirements.								
	PLD (power line disturbance)	LINE POWER SURGE LINE VOLTAGE SAG – more information will be provide on request								
	Cooling method	By natural air								
	Temperature coefficient:	< ±0.5% / °C								
ENVIRONMENT	Temperature	Operating: (0 ~ 40)°C / Storage: (-20 ~ 85)°C								
	Humidity	Operating: 8% ~ 90% RH / Storage: 5% ~ 95% RH non condensing								
SAFETY	CE TUV/GS CB cULus FCC BSMI PSE VCCI C-TICK T-licence KC RCM									
CE	EMC	2014/30/EU								
	LVD	2014/35/EU EN60950-1 : 2006 + A11 + A1 + A12 + A2								
WEIGHT	1pc	N.W.: 79g G.W.: 95g								
PACKING	Box	0.435(L) x 0.370(W) x 0.175(H) [m]								
		100 pcs / 1box G.W.: 10.5kg/box								

Mechanical case specification:

1) SYS1421-series (EU)

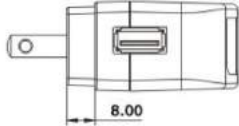


2) SYS1421-series (EU) / USB inlet

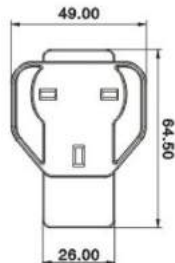


Mechanical specification (country housing):

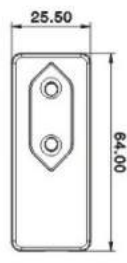
US / Japan type (W2)



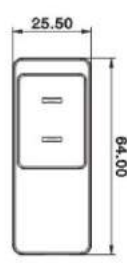
UK type (W3U)



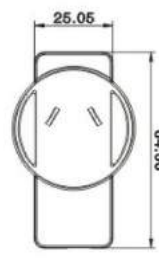
Europe type (W2E)



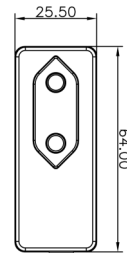
China type (W2C)



Australia type (W2A)

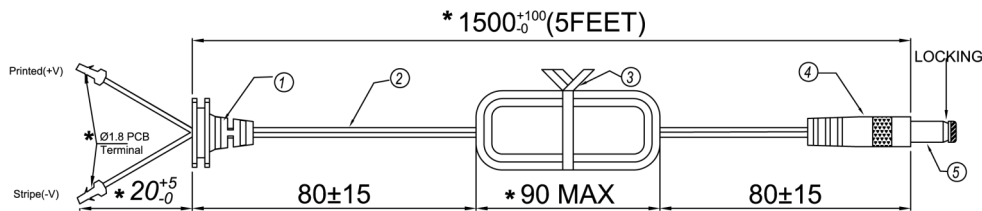


Korea (type W2K)

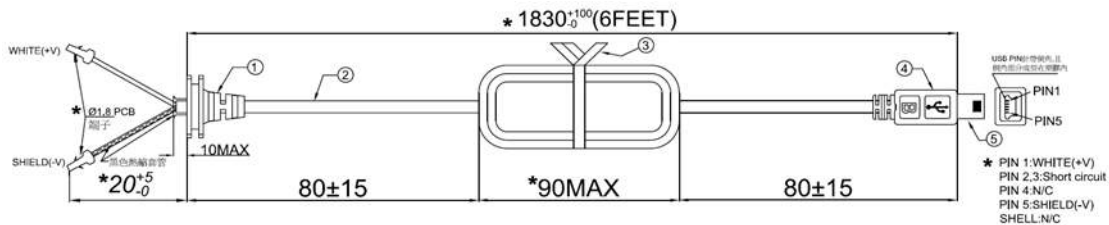


Cable specification:

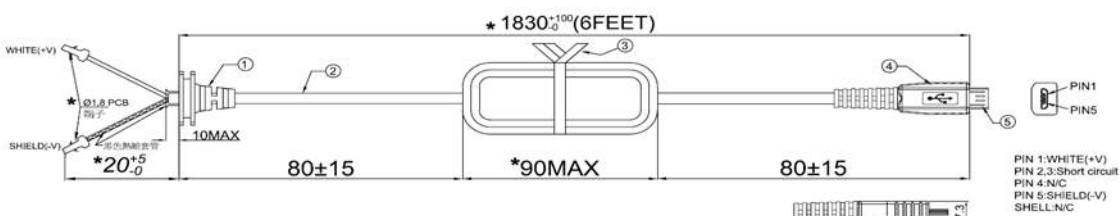
a) 2.1*5.5*11 (2468#24*2C / 5FT) * for SYS1421-0303 (2468#22*2C / 4.5FT)



b) mini USB (1185#22*1C+SHIELD / 6FT)



c) micro USB (1185#22*1C+SHIELD / 6FT)



Country of Origin : China
 Operating Temperature : 0~40 [°C]
 Dimension : 64 x 40.5 x 25.5 [mm]
 Efficiency level (ErP) : VI



Approvals / Marks :



Specifications

Model	Voltage DC [V]	Loading [A]	Max. Power [W]	Ripple / Noise [mV] p-p	Connector [mm]
SYS1573-0605-Wxx	5	0~1.2	6	150	2.1x5.5x11
SYS1573-0605-Wxx	5	0~1.2	6	150	mini USB
SYS1573-0605-Wxx	5	0~1.2	6	150	micro USB
SYS1573-0605-Wxx	5	0~1.2	6	150	USB inlet
SYS1573-0612-Wxx	12	0~0.5	6	200	2.1x5.5x11

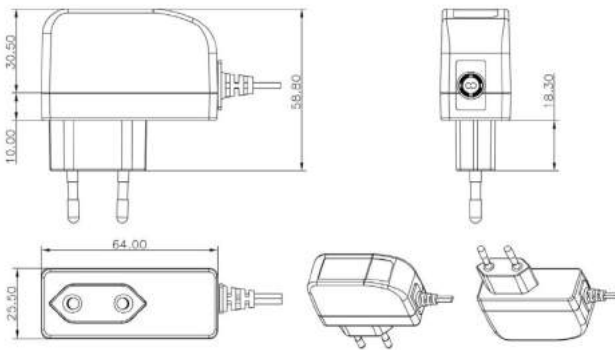
Features:

PSU housing ready for use in country : Wxx = W2E - Europe | W3U - England | W2 - USA, Canada | W2C - China | W2K - Korea | W2J - Japan
 Output connector: standard: 2.1 x 5.5 x 11mm or customer requirement | Regulated Output With Low Ripple Noise | Safety Agency Requirements and EMI/EMS Certified
 Private Label Marking Available | Modified and Custom Design Available | 2 Years Warranty

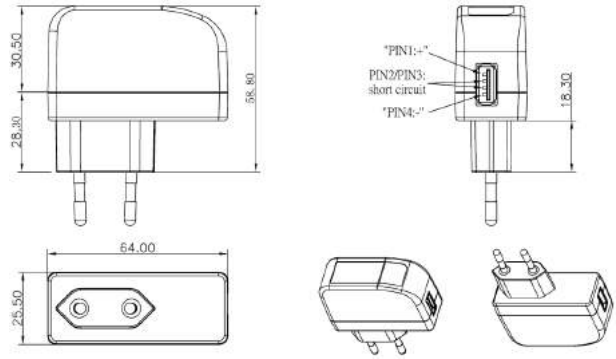
OUTPUT		CE	
Turn delay	5000 ms max @ AC low line input@output full load	EMC	2014/30/EU
Hold up time	5ms min@AC nominal input@output full load (>half cycle)	LVD	2014/35/EU EN 60950-1:2006+A11+A1+A12+A2
Efficiency (Normal)	Meet CEC,DOE,ERP,MEPS Level VI @115v/60HZ,230V/50HZ	SAFETY	
Transient response (dv,tmax)	0.4v dv max At AC nominal input loading from 50% load to max load or peak load 6ms tmax Dynamic rise time 10uS max , duty 40mS max , Dynamic load step is slew rate of 0.5A/uS	UL FCC CB PSE	
Power out.Limit	Peak 7W for model 0605	OTHERS	
Burn in limit	Full load 2 Hours	Dielectric Strength (Hi-pot)	Primary to Secondary:3000VAC 10mA/60S
Power consumption	Less than 0.075W ms max. At AC nominal input@output min load	M.T.B.F	500,000 Calculated Hours at 25°C, by Telcordia SR-332
INPUT		Cable Length	1830mm (6 feet) standard 2 wire cable or as required
Voltage	(90~264)VAC	PLD (power line disturbance)	Line power surge Line voltage SAG-more info on request
Frequency	(47~63)hz	Cooling method	Natural Convection Cooling
Current	0.5A rms @ AC low line input and DC output full load	Housing material	PC or PPO
Inrush Surge Current (cold start)	30/60A max@power supply cold start,ambient temperature 25°C @115Vac/230Vac nominal AC input	Temperature coefficient:	< ±0.5% / °C
leakage current	0.25mA Max	ENVIRONMENT	
PROTECTION		Temperature	Operating: 0~40°C / Storage: -20~85°C
Over current/ Short protection	The power supply will self-protect any output to ground & auto recovery when abnormal circuit faults remove. An output short circuit is defined as any output impedance less than 0.1 ohms.	Humidity	Operating: 8%~90%RH / Storage: 5%~95% RH non condensing
Over Voltage	The power supply will be auto recovered when faults remove	WEIGHT	
Input protection	F1 1A/250V Fuse The power supply shall be protected against power line surges and any abnormal condition	NW: 50g/pc	
No Load protection	The power supply is provided with no load operation to prevent the power supply and system from damage.	GW: 7kg/box	
Protection class	II	PACKING	
		PE plastic bag	80-100 pcs /1 box

Mechanical case specification:

1) SYS1573-series (W2E)

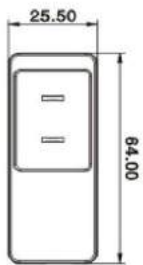


2) SYS1573-series (W2E) / USB inlet

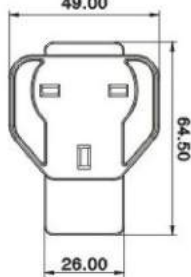


Mechanical specification (country housing): more detailed drawings on request

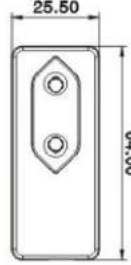
US / Canada type (W2)



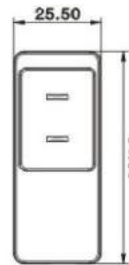
UK type (W3U)



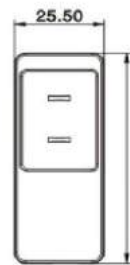
Europe type (W2E)



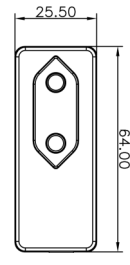
China type (W2C)



Japan type (W2J)

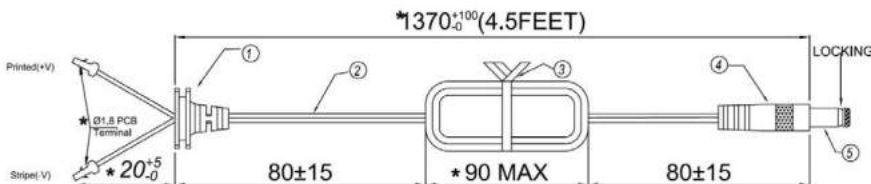


Korea (type W2K)

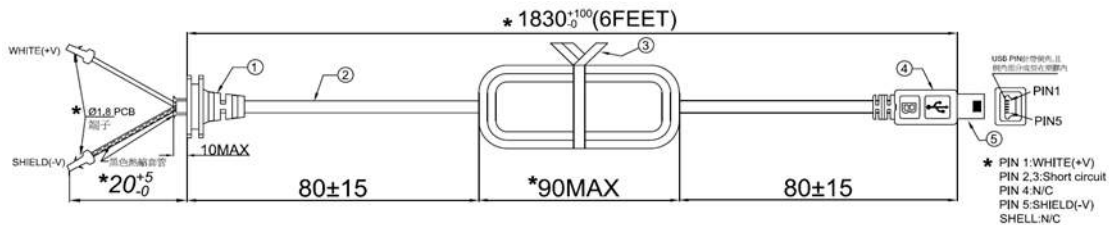


Cable specification:

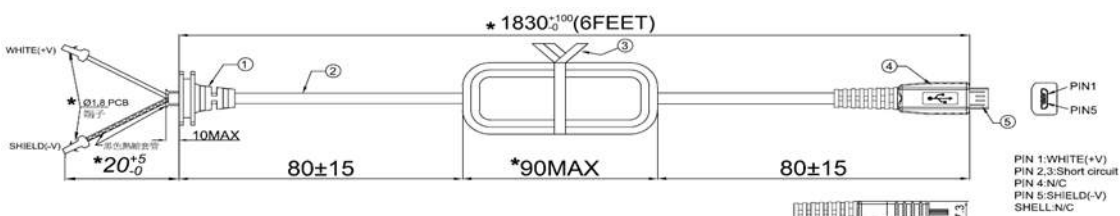
a) 2.1*5.5*11 (2468#24*2C / 5FT)





b) mini USB (1185#22*1C+SHIELD / 6FT)



c) micro USB (1185#22*1C+SHIELD / 6FT)



Country of Origin : China
 Operating Temperature : 0~40 [°C]
 Dimension : 69 x 27 x 38 [mm]
 Efficiency level (ErP) : 
 Approvals / Marks : 



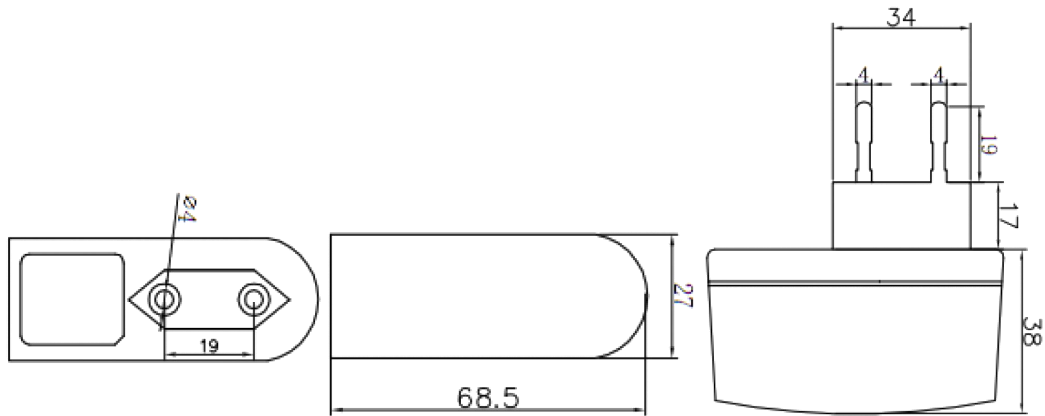
Features:

High efficiency & low power consumption, Light Weight & Compact	Wide range Input (90 ~ 264) VAC / (47 ~ 63) Hz.
Wall-mount power supply, single output.	For I.T.E. use only + RoHS conform.
Overload, over voltage & short protection.	

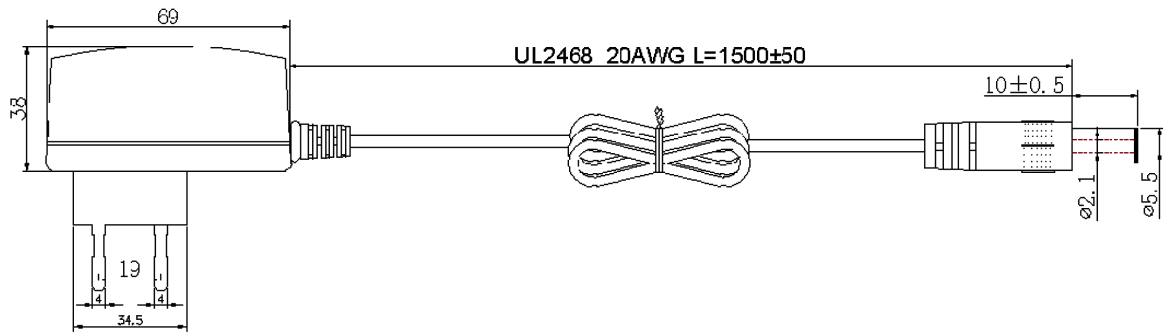
Specification:

	Model	Voltage DC [V]	Loading [A]	Line/Road regulation [%]	Hold up time [ms]	Max. Power [W]	Ripple & Noise [mV] p-p	Connector [mm]
E.L. V	YJXX-0703-W2E	3.3	0~2	±3 / ±5	5	6.6	<50	2.1x5.5x11
OEM Production	This model is certified for output (3~36)Vdc & Pout = max12W							
OUTPUT	Turn on delay	3000 ms max @ 100VAC input @output full load						
	Hold up time	5 ms min.at 100Vac input and output Max.Load.						
	Efficiency (Normal)	Average Efficiency achieve -- min70% at 115Vac input / 70% at 230Vac input --- EuP and energy Compliance: CEC Level V Requirement						
	Rise time	40 ms max.at 100Vac input and output Max load						
	Burn in test	Full load 4 Hours						
INPUT	Voltage	(90 ~ 264)VAC						
	Frequency	(47 ~ 63) Hz						
	Current	0.5Amax @ any input voltage and rated, DC output rated load.						
	Inrush Surge Current (cold start)	40A max @ Cold start at 240Vac input, with rated load and 25°C ambient.						
	Leakage current	0.25 mA Max.						
	Power consumption	0.3W rms max. At AC nominal input@output min load						
PROTECTION	Over Current	The power supply will be auto recovered when over current faults remove. Output current achieve over current protection point.will auto protection without output.be capable of auto-recovery function						
	Short protection	The power supply will be auto recovered when short circuit faults remove.						
	Over Voltage	Yes						
	No load protection	The power supply is provided with no load operation to prevent the power supply and system from damage.						
	Protection class	II.						
OTHERS	Dielectric Strength (Hi-pot)	Primary to Secondary: 3000VAC / 5mA / 3s						
	Cable length	1400mm (4feet) 2 wires cable 20AWG 2468 or depends on customer requirements						
	Cooling method	By natural air						
ENVIRONMENT	Temperature	Operating: (0 ~ 40)°C / Storage: (-10 ~ 80)°C						
	Humidity	5%(0°C)~90%(40°C)RH,72Hrs,Full load, Normal operating.						
SAFETY	CE							
EMC	EMI	2004/108/EC (EN61000-3-2,3 EN 55022, EN 55024)						
	EMS	EN 60950-1:2006+A11:2009 EN55022 class B rules						
WEIGHT	1pc	N.W.: 88g / pc G.W.: 103g / pc						
PACKING		0.50(L) x 0.24(W) x 0.34(H) [m]						
	Box	100 pcs / 1box						
		G.W.: 11 kg/box						

Mechanical case specification:



Cable specification:





GREEN MODE

RoHS

Country of Origin : China
 Operating Temperature : 0~40 [°C]
 Dimension : 65 x 45 x 30 [mm]
 Certified AC Plugs: EU, UK, USA/Japan, Aus, China
 Efficiency level (ErP) : VI



Approvals / Marks :



Specifications

Model	Voltage DC [V]	Loading [A]	Max. Power [W]	Ripple / Noise [mV] p-p	Connector [mm]
SYS1561-1105-Wxx*	5	0~2.1	10.5	200	2.1x5.5x11
SYS1561-1105-Wxx*	5	0~2.1	10.5	200	micro USB
SYS1561-1105-Wxx*	5	0~2.1	10.5	200	5C USB-C
SYS1561-1105-Wxx*	5	0~2.1	10.5	200	USB inlet
SYS1561-11054-Wxx*	5.35	0~2.0	10.7	200	2.1x5.5x11
SYS1561-1006-Wxx*	6	0~1.66	10	200	2.1x5.5x11
SYS1561-1212-Wxx*	12	0~1.0	12	200	2.1x5.5x11

Features:

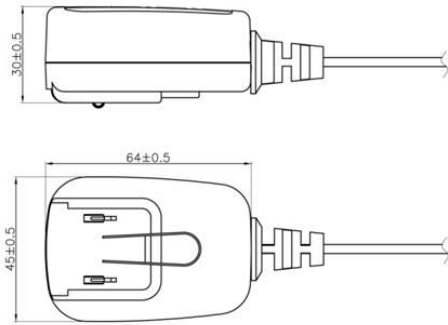
Certified plugs Wxx = W2E - Europe | W3U - England | W2 - USA, Canada, Japan, Taiwan | W2A - Australia | W2C - China
 Output connector: standard: 2.1 x 5.5 x 11mm or customer requirement | Regulated Output With Low Ripple Noise | Safety Agency Requirements and EMI/EMS Certified
 Private Label Marking Available | Modified and Custom Design Available | 2 Years Warranty

OUTPUT	
Turn delay	5000 ms max @ AC low line input@output full load
Hold up time	5ms min@AC nominal input@output full load (>half cycle)
Efficiency (Normal)	Meet CEC,DOE,ERP,MEPS Level VI @115v/60HZ,230V/50HZ
Transient response (dv,tmax)	0.3v dv max At AC nominal input loading from 50% load to max load or peak load 8ms tmax Dynamic rise time 10uS max , duty 40mS max , Dynamic load step is slew rate of 0.5A/uS
Power out.Limit	Peak 13W for SYS1561-1212
Burn in limit	Full load 2 Hours
Power consumption	Less than 0.075W ms max. At AC nominal input@output min load
INPUT	
Voltage	(90~264)VAC
Frequency	(47~63)hz
Current	0.5A rms @ AC low line input and DC output full load
Inrush Surge Current (cold start)	40/60A max@power supply cold start,ambient temperature 25°C @115Vac/230Vac nominal AC input
leakage current	0.25mA Max
PROTECTION	
Over current/ Short protection	The power supply will self-protect any output to ground & auto recovery when abnormal circuit faults remove. An output short circuit is defined as any output impedance less than 0.1 ohms.
Over Voltage	The power supply will be auto recovered when faults remove
Input protection	F1:1A 250V Fuse The power supply shall be protected against power line surges and any abnormal condition
No Load protection	The power supply is provided with no load operation to prevent the power supply and system from damage.
Protection class	II, (ITU-T K.21 Surge 6KV on request)

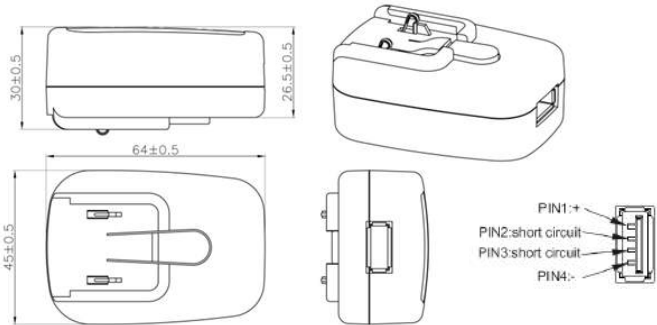
CE	
EMC	2014/30/EU
LVD	2014/35/EU EN 60950-1:2006+A11+A1+A12+A2
SAFETY	
UL GS CB CE FCC BSMI PSE SAA RCM EAC	
OTHERS	
Dielectric Strength (Hi-pot)	Primary to Secondary:3000VAC 10mA/60S
M.T.B.F	500,000 Calculated Hours at 25°C, by Telcordia SR-332
Cable Length	1370mm (4.5 feet) standard cable or as required
PLD (power line disturbance)	Line power surge Line voltage SAG-more info on request
Cooling method	Natural Convection Cooling
Housing material	PC
Temperature coefficient:	< ±0.5% / °C
ENVIRONMENT	
Temperature	Operating: (0 ~ 40)°C / Storage: (-20 ~ 85)°C
Humidity	Operating: 8%~90%RH / Storage: 5%~95% RH non condens-ing
WEIGHT	
NW: 72g/pc	
GW: 8.8kg/box GW: 13.5kg/box (for USB inlet)	
PACKING	
PE plastic bag	80 pcs /1 box 180 pcs / 1box (for USB inlet)

Mechanical case specification:

1) Cable type

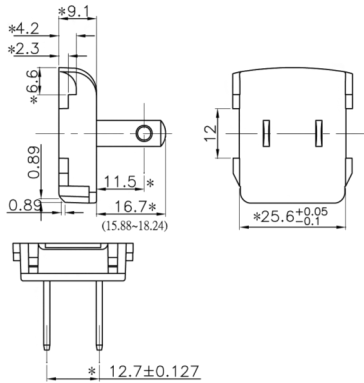


2) USB inlet type

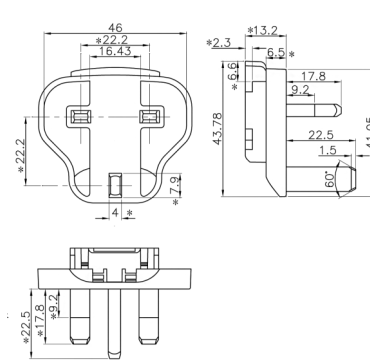


Mechanical specification (country housing):

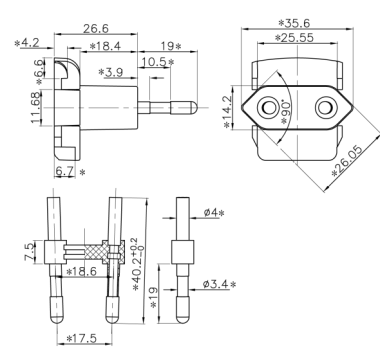
US / Japan type (W2)



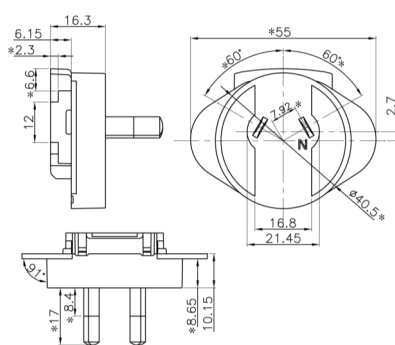
UK type (W3U)



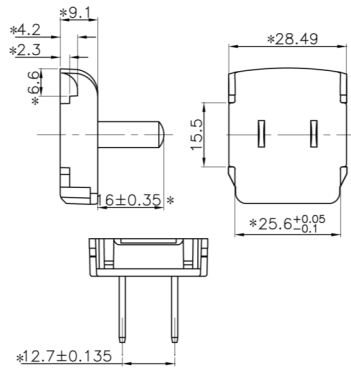
Europe type (W2E)



Australia type (W2A)



China type (W2C)



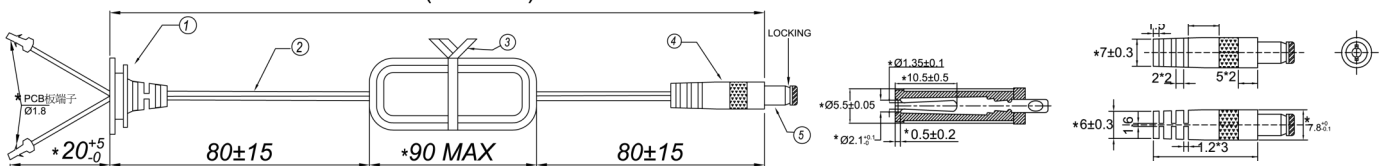
Cable specification:

2468#20*2C – SYS1561-1105-Wxx

2468#24*2C – SYS1561-1212-Wxx

For 2.1x5.5 connector

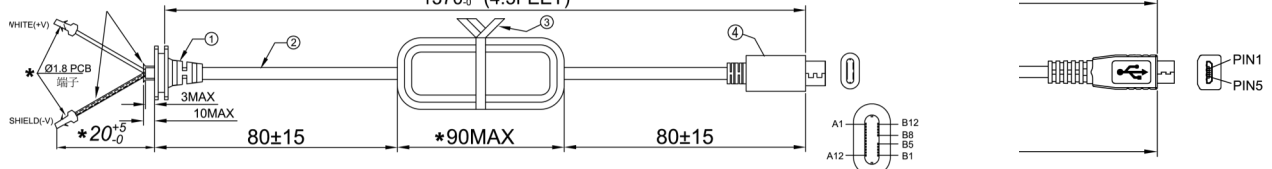
*1370⁺¹⁰⁰ (4.5FEET)



For 5C USB C connector

*1370⁺¹⁰⁰ (4.5FEET)

For micro USB connector



Country of Origin : China
 Operating Temperature : 0~40 [°C]
 Dimension : 73.8 × 44.3 × 28.8 [mm]
 Certified AC Plugs: EU, UK, USA/Japan/Taiwan, Aus, China, Korea
 Efficiency level (ErP) : VI



Approvals / Marks :



Specifications

Model	Voltage DC [V]	Loading [A]	Max. Power [W]	Ripple / Noise [mV] p-p	Connector [mm]
SYS1001-0703-Wxx*	3,3	0~2.2	7.26	120	2.1x5.5x11
SYS1001-1105-Wxx*	5	0~2.1	10	120	2.1x5.5x11
SYS1001-1108-Wxx*	7.5	0~1.6	11	120	2.1x5.5x11
SYS1001-0909-Wxx*	9	0~1.33	9	120	2.1x5.5x11
SYS1001-1212-Wxx*	12	0~1.0	12	200	2.1x5.5x11
SYS1001-1215-Wxx*	15	0~0.8	12	200	2.1x5.5x11
SYS1001-1218-Wxx*	18	0~0.66	12	240	2.1x5.5x11
SYS1001-1224-Wxx*	24	0~0.5	12	240	2.1x5.5x11

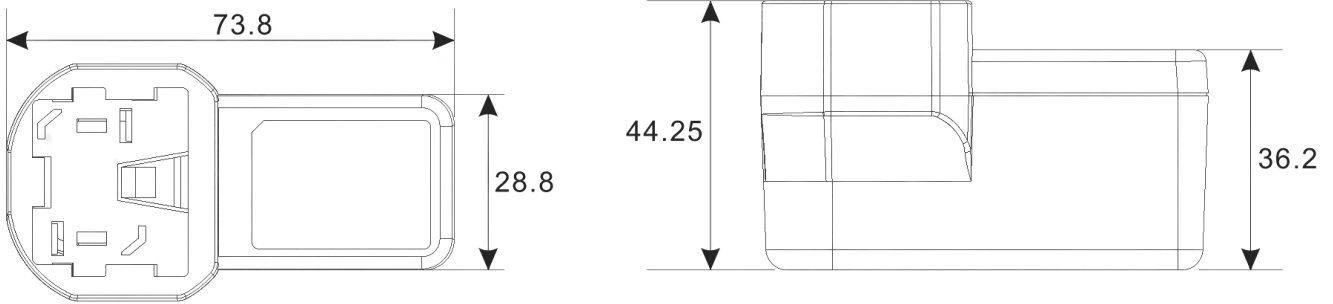
Features:

Certified plugs Wxx = W2E - Europe | W3U - England | W2 - USA, Canada, Japan, Taiwan | W2A - Australia | W2C - China | W2K - Korea
 Output connector: standard: 2.1 x 5.5 x 11mm or customer requirement | Regulated Output With Low Ripple Noise | Safety Agency Requirements and EMI/EMS Certified
 Private Label Marking Available | Modified and Custom Design Available | 2 Years Warranty

OUTPUT	
Turn delay	3000ms max@AC low line input@output full load
Hold up time	8ms min@AC nominal input@output full load
Efficiency (Normal)	>80%@115v/60HZ,230V/50HZ input & Full load
Transient response (dv,tmax)	0.4V dv max At AC nominal input loading from 20%load to 80% load 16ms tmax Dynamic rise time 10 us max,duty 40ms max,Dynamic load step is slew rate of 0.5A/us
Power out.Limit	12W
Burn in limit	Full load 2 Hours
Power consumption	0.1W max. At AC nominal input@output min load
INPUT	
Voltage	(90~264)VAC
Frequency	(47~63)hz
Current	0.5A rms@AC low line input and DC output full load
Inrush Surge Current (cold start)	30/40A max@power supply cold start,ambient temperature 25°C @115Vac/230Vac nominal AC input
leakage current	0.25mA Max
PROTECTION	
Over current/ Short protection	The power supply will be auto recovered when over current or short circuit faults remove (fold back). Is defined as any output impedance of less than 0.1Ω. The power supply will be auto recovered when short circuit faults remove
Over Voltage	The power supply will not be auto recovered when faults remove 110%-150%. (Voltage limit)
Input protection	F1 1A/250V Fuse The power supply shall be protected against power line surges and any abnormal condition
No Load protection	The power supply is provided with no load operation to prevent the power supply and system from damage.
Protection class	II

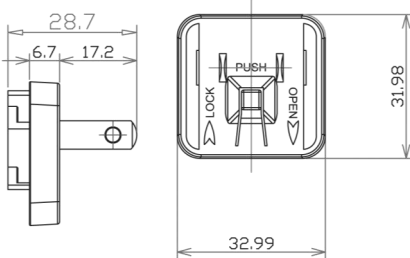
CE	
EMC	2014/30/EU
LVD	2014/35/EU EN 60950-1:2006+A11+A1+A12+A2
SAFETY	
cUL FCC GS CE CB RCM EAC BSMI PSE CCC VCCI	
OTHERS	
Dielectric Strength (Hi-pot)	I/P-O/P:3000VAC
M.T.B.F	500,000 Calculated Hours at 25°C, by Telcordia SR-332
Cable Length	1370mm (4.5 feet) standard cable or as required
PLD (power line disturbance)	Line power surge Line voltage SAG-more info on request
Cooling method	Natural Convection Cooling
Housing material	PC + ABS
Temperature coefficient:	< ±0.5% / °C
ENVIRONMENT	
Temperature	Operating: 0~40°C / Storage: -20~85°C
Humidity	Operating: 8%~90%RH / Storage: 5%~95% RH non condensing
WEIGHT	
NW:	80g/pc + plug
GW:	95g/pc + plug
PACKING	
Box	100 pcs/1 box

Mechanical case specification:

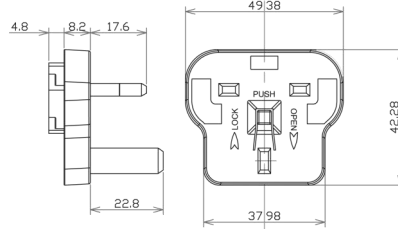


Mechanical specification (country housing):

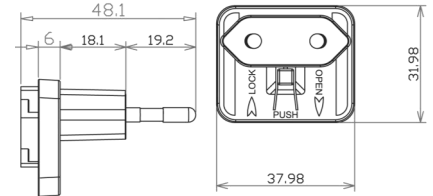
US / Japan type (W2)



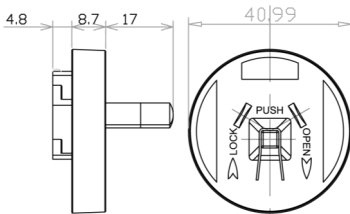
UK type (W3U)



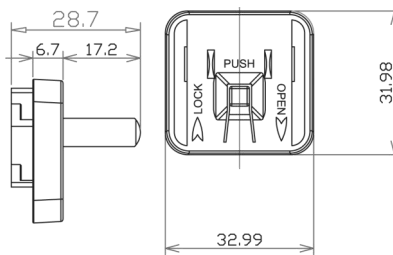
Europe type (W2E)



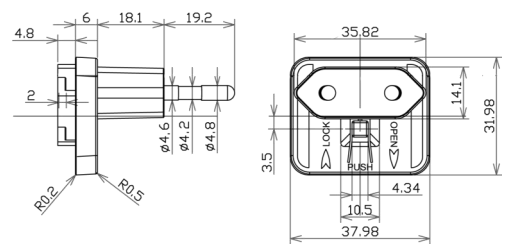
Australia type (W2A)



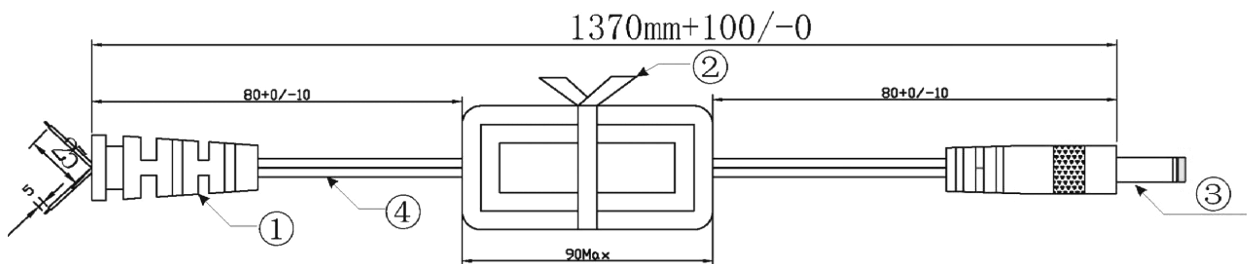
China type (W2C)













Korea type (W2K)



Cable specification:



Country of Origin : China
 Operating Temperature : 0~40 [°C]
 Dimension : 65 x 45 x 30 [mm]
 Efficiency level (ErP) : 
 Approvals / Marks :     
   



Features:

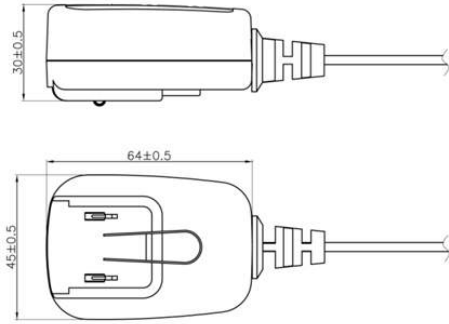
Also available in version of K.21 Protection against interference. For Telecom Products / Enclosure / STB.	PSU housing ready for use in country :	
Wide range Input (90 ~ 264) VAC / (47 ~ 63) Hz.	USA/Japan/ (type W2)	Europe (type W2E)
Wall-mount power supply, single output.	Australia (type W2A)	UK (type W3U)
For I.T.E. use only + RoHS conform. Overload, over voltage & short protection.	China (type W2C)	

Specification:

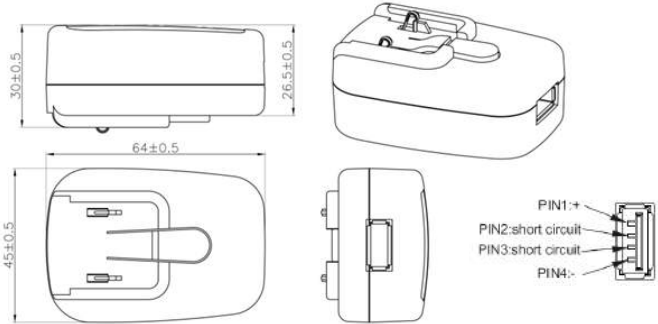
	Model	Voltage DC [V]	Loading [A]	Tol. [%]	OCP [A]	OVP [V]	Efficiency [%]	Max. Power [W]	Ripple & Noise [mV] p-p	Connector UL approval [mm]
ErP V.	SYS1460-1105-Wxx	5	0~2.1	±5	2.2~4	10±4	≥73.88	10.5	100	2.1x5.5x11
Wxx	Possible to order with	Wxx = W2E - Europe W2 - USA,Canada,Japan W3U - UK W2A - Australia W2C - China								
OEM Production	This model is certified for Output : (5, 5.1, 5.2)V & (1~10)W by 1W steps for each Uout and 12V/(1~12)W by 1W steps.									
OUTPUT	Turn on delay	5000 ms max @ AC low line input@output full load								
	Hold up time	6ms min @ AC nominal input @ output full load (> half cycle)								
	Efficiency (Normal)	Above minimum average efficiency in active mode(Meet CEC V)								
	Transient response (dv, tmax)	0.3v dv max At AC nominal input loading from 50% load to max load or peak load								
	Burn in test	8ms tmax Dynamic rise time 10uS max , duty 40mS max , Dynamic load step is slew rate of 0.5A/uS								
	USB inlet model	FOR USB inlet model: +5V(PIN1) (0~2)A ±5% (PIN2&PIN3short) 0V (PIN4)								
INPUT	Voltage	(90 ~ 264)VAC								
	Frequency	(47 ~ 63) Hz								
	Current	0.5A rms @ AC low line input and DC output full load								
	Inrush Surge Current (cold start)	40/60A max @ power supply cold start, ambient temperature 25°C@115Vac / 230Vac nominal AC input.								
	Leakage current	0.25 mA Max.								
	Power consumption	0.3W rms max. At AC nominal input@output min load								
	Hold up time	6ms								
PROTECTION	Wattage	Input wattage is below 15W on the condition that AC 100V/50HZ and full load								
	Over Current /Short protection	The power supply will self-protect any output to ground, And auto recovery when abnormal circuit faults remove. An output short circuit is defined as any output impedance of less than 0.1 ohms.								
	Protection against interference.	ITU-T K.21 (option) – depends on customer request								
	Over Voltage	The power supply will not be auto recovered when faults remove >>Voltage limit<<								
	Input protection	1A/250V The power supply shall be protected against power line surges and any abnormal condition.								
	No load protection	The power supply is provided with no load operation to prevent the power supply and system from damage.								
OTHERS	Protection class	II.								
	Dielectric Strength (Hi-pot)	Primary to Secondary: 3000VAC / 10mA / 60s								
	M.T.B.F	500,000 Calculated Hours at 25°C, by Telcordia SR-332								
	Cable length / type	2468#24(or 20)*2C, 4.5FT 2wires cable or depends on customer requirements								
	PLD (power line disturbance)	LINE POWER SURGE LINE VOLTAGE SAG – more information will be provide on request								
	Cooling method	By natural air								
	Housing material	-								
ENVIRONMENT	Temperature coefficient:	< ±0.5% / °C								
	Temperature	Operating: (0 ~ 40)°C / Storage: (-20 ~ 85)°C								
	Humidity	Operating: 8% ~ 90% RH / Storage: 5% ~ 95% RH non condensing								
SAFETY CE CB TUV/GS cULus FCC BSMI PSE C-tick CCC EAC RCM T-license										
EMC	EMI	EN 55022 (2006)+ A1:2007 Class B EN 61000-3-2 (2006) + A1(2009) + A2 Class A(2009)/EN 61000-3-3 (2008)								
	EMS	EN55024(1998)+A1(2001)+A2(2003) IEC 61000-4-3 IEC 61000-4-4 IEC 61000-4-5 UL 60950-1,2nd Edition CSA C22.2 No.60950-1-07								
WEIGHT	1pc	N.W.: 47-130g(±10g) / pc G.W.: -g / pc								
PACKING	Box	485(L)*460(W)*358(H) [mm]								
		96-210 pcs /1box G.W.: various kg/box								

Mechanical case specification:

1) Cable type

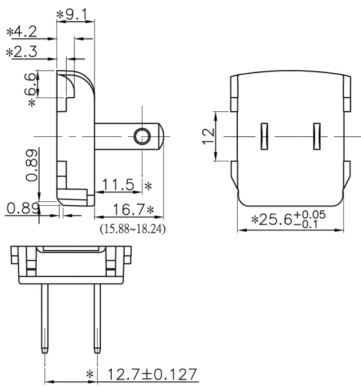


2) USB inlet type

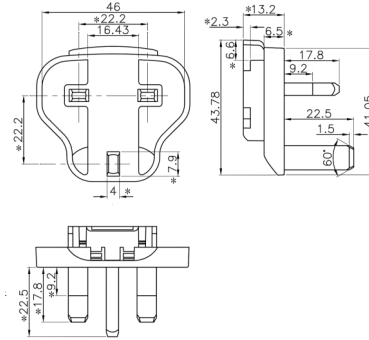


Mechanical specification (country housing):

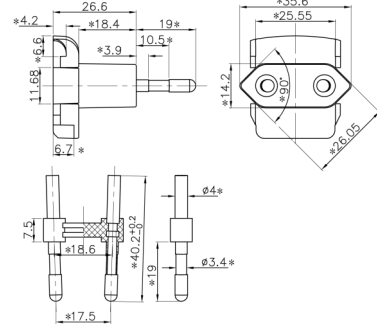
US / Japan type (W2)



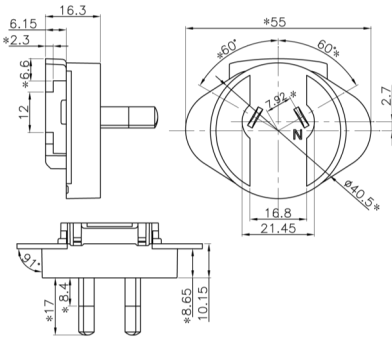
UK type (W3U)



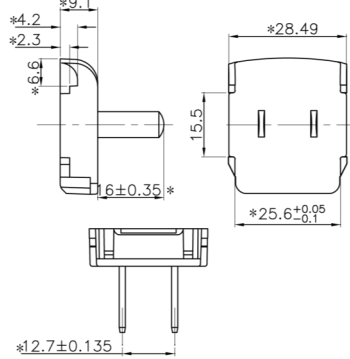
Europe type (W2E)



Australia type (W2A)



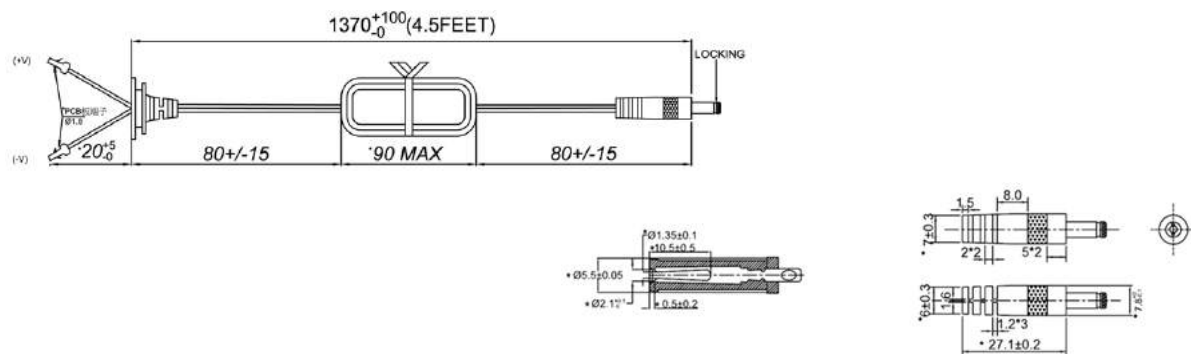
China type (W2C)



Cable specification:

2468#20*2C - SYS1460-1105-Wxx

2468#24*2C - SYS1460-1212-Wxx



•印字(+V) — ⊕ — 條紋(-V)

Country of Origin : China

Operating Temperature : 0~40 [°C]

Dimension : 63.6 x 29.5 x 45.6 [mm]

Efficiency level (ErP) :

Approvals / Marks :



Features:

Available in version: W2E(EU), W2(USA/Japan/Canada/Taiwan), W3U(UK), W2A (Australia), W2C (China), W2K(Korea).

Wall-mount power supply, single output.

Overload, over voltage & short protection.

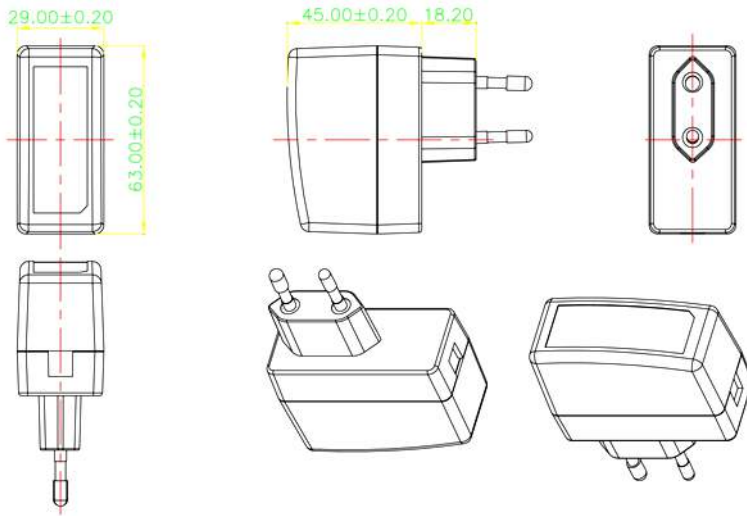
Wide range Input (90 ~ 264) VAC / (47 ~ 63) Hz.

For I.T.E. use only + RoHS conform.

Specification:

	Model	Voltage DC [V]	Loading [A]	Total regul. [%]	OCP [A]	OVP [V]	Hold up time [ms]	Efficiency [%]	Max. Power [W]	Ripple & Noise [mV] p-p	Connector [mm]
ErP V.	SYS1381-1005-Wxx	5	0~2.0	±5	2.4~5.0	10±4	8	>73.4	10	80	1.7x4.0x11
	SYS1381-1005-Wxx	5	0~2.0	±5	2.4~5.0	10±4	8	>73.4	10	80	2.1x5.5x11
	SYS1381-0606-Wxx	6	0~1.0	±5	1.3~3.5	10±3	10	>70.0	6	120	2.1x5.5x11
	SYS1381-0808-Wxx	7,5	0~1.07	±5	1.3~3.5	16±7	8	>72.0	8	130	2.1x5.5x11
	SYS1381-0909-Wxx	9	0~1.0	±5	1.5~3.5	15±4	8	>73.0	9	130	2.1x5.5x11
	SYS1381-1212-Wxx	12	0~1.0	±5	1.2~3.5	18±4	8	>77.8	12	180	2.1x5.5x11
Wxx	Possible to order with	Wxx = W2E - Europe W2 - USA,Canada,Japan W3U - UK W2A - Australia W2C - China W2K -Korea									
OEM Production	This model is certified for Output: Uout[V]/Pout[W]max : (5/10, 6/6, 7.5/8, 9/9,12/12). Pout=by 1W steps										
OUTPUT	Turn on delay	5000 ms max									
	Hold up time	Ref. upon table @ AC nominal input@ output full load (1 half cycle)									
	Efficiency (Normal)	>70% @ 240VAC input & Full load									
INPUT	Voltage	(90 ~ 264)VAC									
	Frequency	(47 ~ 63) Hz									
	Current	0.5A rms @ any input voltage and rated DC output rated load									
	Inrush Current (cold start)	40/60Amax. @ 264VAC input. Cold start at 240VAC input, with rated load and 25°C ambient									
	Leakage current	0.25 mA Max.									
	Power consumption	0.3W rms max. At AC nominal input@output min load									
PROTECTION	Over Current	The power supply will be auto recovered when over current faults remove. >>Fold back<<									
	Over Voltage	The power supply will not be auto recovered when faults remove >>Voltage limit<<									
	Short Circuit	The power supply will be auto recovered when short circuit faults remove. An output short circuit is defined as any output impedance of less than 0.1 Ω.									
	Protection class	II.									
OTHERS	Dielectric Strength(Hi-pot)	Primary to Secondary: 3000VAC / 10mA / 60s									
	M.T.B.F	500,000 Calculated Hours at 25°C, by Telcordia SR-332									
	Cable length	2wires. / 2468#22*2C 1370mm (4.5feet) or customer requirements									
	Input protection	1A Fuse, The power supply shall be protected against power line surges and any abnormal condition.									
	Temperature coefficient:	< ±0.5% / °C									
ENVIRONMENT	Temperature	Operating: (0 ~ 40)°C / Storage: (-20 ~ 85)°C									
	Humidity	Operating:8% ~ 90% RH / Storage: 5% ~ 95% RH non condensing									
SAFETY	CE TUV/GS CB FCC cULus BSMI VCCI PSE T-License SAA C-Tick CCC KC S Mark RCM										
CE	EMC	2014/30/EU									
	LVD	2014/35/EU EN 60950-1:2006+A11+A1+A12+A2									
WEIGHT	1pc	N.W.: 90g/pc G.W.: 100g/pc									
PACKING	Box	0.48(L) x 0.44(W) x 0.26(H) [m] 0.435(L) x 0.370(W) x 0.175(H) [m]									
		80pcs / 1box (100pcs – 2011/2012) G.W.: 10 kg/box									

Mechanical case specification:



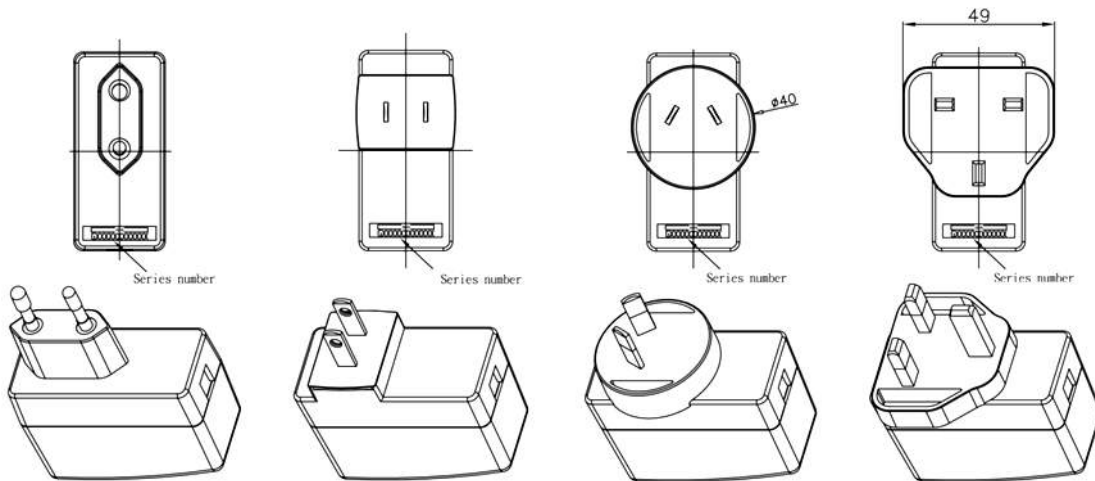
Mechanical specification (country housing):

Europe / Korea type (W2E/W2K)

US / Canada type (W2)

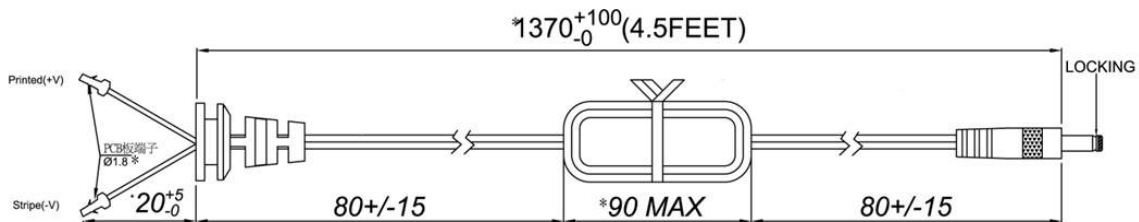
Australia type (W2A)

UK type (W3U)



Cable specification:

a) 2.1*5.5*11 (2468#22*2C / 5FT)



Country of Origin : China
 Operating Temperature : 0~40 [°C]
 Dimension : 70.5 x 33 x 35.5 [mm]
 Efficiency level (ErP) : VI



Specifications

Model	Voltage DC [V]	Loading [A]	Max. Power [W]	Ripple / Noise [mV] p-p	Connector [mm]
SYS1530-1005-Wxx	5	0~2.0	10	150	2.1x5.5x11
SYS1530-0906-Wxx	6	0~1.5	9	150	2.1x5.5x11
SYS1530-0808-Wxx	7,5	0~1.0	8	180	2.1x5.5x11
SYS1530-0909-Wxx	9	0~1.0	9	180	2.1x5.5x11
SYS1530-1212-Wxx	12	0~1.0	12	180	2.1x5.5x11
SYS1530-1215-Wxx	15	0~0.8	12	200	2.1x5.5x11
SYS1530-1218-Wxx	18	0~0.66	12	200	2.1x5.5x11
SYS1530-1224-Wxx	24	0~0.5	12	240	2.1x5.5x11

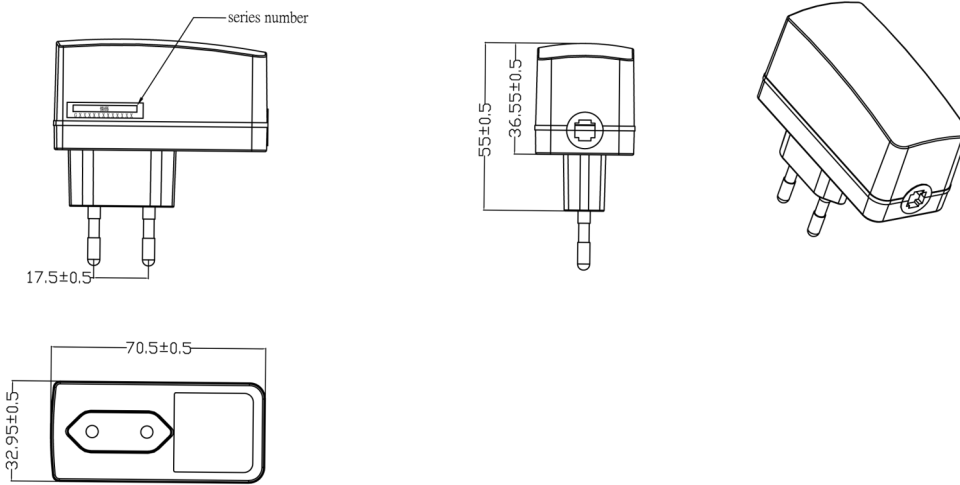
Features:

PSU housing ready for use in country : Wxx = W2E - Europe | W2 - USA, Canada, Japan
 Output connector: standard: 2.1 x 5.5 x 11mm or customer requirement | Regulated Output With Low Ripple Noise | Safety Agency Requirements and EMI/EMS Certified
 Private Label Marking Available | Modified and Custom Design Available | 2 Years Warranty

OUTPUT	
Turn delay	5000 ms max @ AC low line input@output full load
Hold up time	5ms min@AC nominal input@output full load (>half cycle)
Efficiency (Normal)	Meet CEC,DOE,ERP,MEPS Level VI @115v/60HZ,230V/50HZ
Transient response (dv,tmax)	0.4v dv max At AC nominal input loading from 50% load to max load or peak load 16ms tmax Dynamic rise time 10uS max , duty 40mS max , Dynamic load step is slow rate of 0.5A/uS
Power out.Limit	Peak 13W
Burn in limit	Full load 2 Hours
Power consumption	Less than 0.075W ms max. At AC nominal input@output min load
INPUT	
Voltage	(90~264)VAC
Frequency	(47~63)hz
Current	0.3A rms @ AC low line input and DC output full load
Inrush Surge Current (cold start)	40/60A max@power supply cold start,ambient temperature 25°C @115Vac/230Vac nominal AC input
leakage current	0.25mA Max
PROTECTION	
Over current/ Short protection	The power supply will self-protect any output to ground & auto recovery when abnormal circuit faults remove. An output short circuit is defined as any output impedance less than 0.1 ohms.
Over Voltage	The power supply will be auto recovered when faults remove
Input protection	F1 1A/250V Fuse The power supply shall be protected against power line surges and any abnormal condition
No Load protection	The power supply is provided with no load operation to prevent the power supply and system from damage.
Protection class	II, (ITU-T K.21 Surge 6KV on request)

CE	
EMC	2014/30/EU
LVD	2014/35/EU EN 60950-1:2006+A11+A1+A12+A2
SAFETY	
UL GS CB CE FCC BSMI PSE	
OTHERS	
Dielectric Strength(Hi-pot)	Primary to Secondary:3000VAC 10mA/60S
M.T.B.F	500,000 Calculated Hours at 25°C, by Telcordia SR-332
Cable Length	1370mm (4.5 feet) standard 2 wire cable or as required
PLD (power line disturbance)	Line power surge Line voltage SAG-more info on request
Cooling method	Natural Convection Cooling
Housing material	PC
Temperature coefficient:	< ±0.5% / °C
ENVIRONMENT	
Temperature	Operating: 0~40°C / Storage: -20~85°C
Humidity	Operating: 8%~90%RH / Storage: 5%~95% RH non condens-ing
WEIGHT	
NW: 75g/pc	
GW: kg/box	
PACKING	
PE plastic bag	100 pcs /1 box

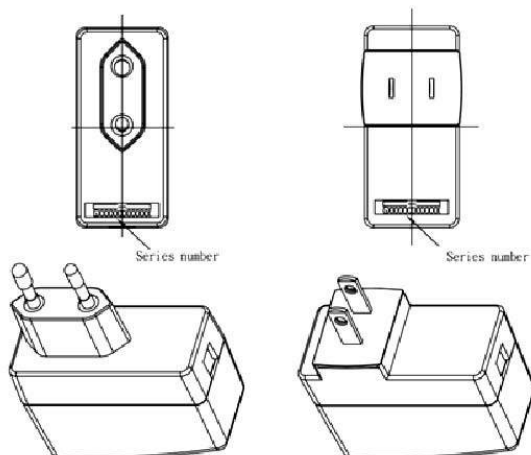
Mechanical case specification:



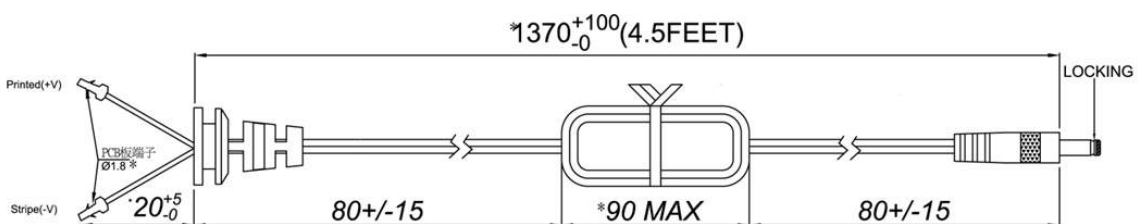
Mechanical specification (country housing):

Europe type (W2E)

US / Canada / Japan type (W2)



Cable specification:



Country of Origin : China
 Operating Temperature : 0~40 [°C]
 Dimension : 73 × 34 × 50 [mm]
 Efficiency level (ErP) : VI



Approvals / Marks :



Specifications

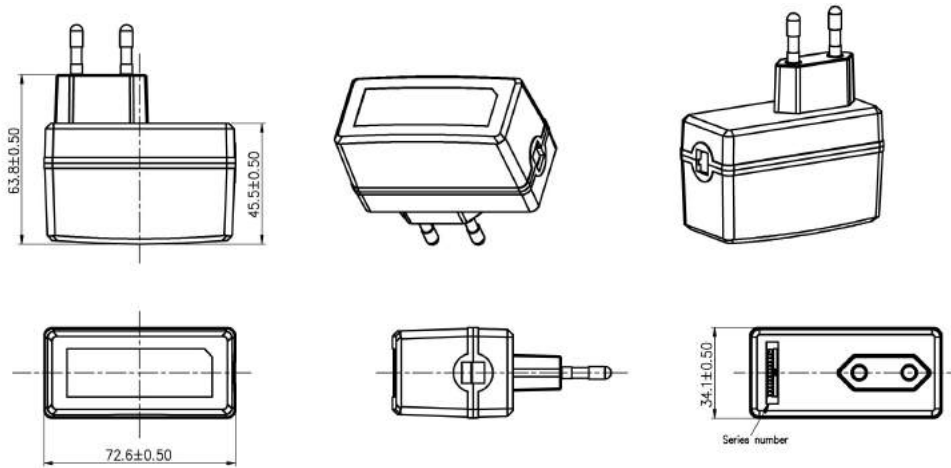
Model	Voltage DC [V]	Loading [A]	Max. Power [W]	Ripple / Noise [mV] p-p	Connector [mm]
SYS1531-1505-Wxx	5	0~3	15	150	2.1x5.5x11
SYS1531-1506-Wxx	6	0~2.5	15	150	2.1x5.5x11
SYS1531-1508-Wxx	7.5	0~2	15	180	2.1x5.5x11
SYS1531-1809-Wxx	9	0~2	18	180	2.1x5.5x11
SYS1531-2412-Wxx	12	0~2	24	180	2.1x5.5x11
SYS1531-2415-Wxx	15	0~1.6	24	200	2.1x5.5x11
SYS1531-2418-Wxx	18	0~1.33	24	200	2.1x5.5x11
SYS1531-2424-Wxx	24	0~1	24	280	2.1x5.5x11

Features:

PSU housing ready for use in country : Wxx = W2E - Europe | W3U - England | W2 - USA, Canada, Japan, Taiwan | W2A - Australia | W2C - China
 Output connector: standard: 2.1 x 5.5 x 11mm or customer requirement | Regulated Output With Low Ripple Noise | Safety Agency Requirements and EMV/EMS Certified
 Private Label Marking Available | Modified and Custom Design Available | 2 Years Warranty

OUTPUT		CE	
Turn delay	5000 ms max @ AC low line input@output full load	EMC	2014/30/EU
Hold up time	5ms min@AC nominal input@output full load (>half cycle)	LVD	2014/35/EU EN 60950-1:2006+A11+A1+A12+A2
Efficiency (Normal)	Meet CEC,DOE,ERP,MEPS Level VI@115v/60HZ,230V/50HZ	SAFETY	
Transient response (dv,tmax)	0.4v dv max At AC nominal input loading from 50% load to max load or peak load 16ms tmax Dynamic rise time 10uS max , duty 40mS max , Dynamic load step is slew rate of 0.5A/uS	UL GS CB CE FCC BSMI PSE SAA RCM	
Power out.Limit	Peak 28W	OTHERS	
Burn in limit	Full load 2 Hours	Dielectric Strength(Hi-pot)	Primary to Secondary:3000VAC 10mA/60S
Power consumption	Less than 0.075W ms max. At AC nominal input@output min load	M.T.B.F	500,000 Calculated Hours at 25°C, by Telcordia SR-332
INPUT		Cable Length	1800mm (6 feet) standard round cable or as required
Voltage	(90~264)VAC	PLD (power line disturbance)	Line power surge Line voltage SAG-more info on request
Frequency	(47~63)hz	Cooling method	Natural Convection Cooling
Current	0.5A rms @ AC low line input and DC output full load	Housing material	PC
Inrush Surge Current (cold start)	40/60A max@power supply cold start,ambient temperature 25°C @115Vac/230Vac nominal AC input	Temperature coefficient:	< ±0.5% / °C
leakage current	0.25mA Max	ENVIRONMENT	
PROTECTION		Temperature	Operating: 0~40°C / Storage: -20~85°C
Over current/ Short protection	The power supply will self-protect any output to ground & auto recovery when abnormal circuit faults remove. An output short circuit is defined as any output impedance less than 0.1 ohms.	Humidity	Operating: 8%~90%RH / Storage: 5%~95% RH non condensing
Over Voltage	The power supply will be auto recovered when faults remove	WEIGHT	
Input protection	F1 1A/250V Fuse The power supply shall be protected against power line surges and any abnormal condition	NW: 80g/pc	
No Load protection	The power supply is provided with no load operation to prevent the power supply and system from damage.	GW: 12kg/box	
Protection class	II, (ITU-T K.21 Surge 6KV on request)	PACKING	
		PE plastic bag	80 pcs /1 box

Mechanical case specification:



Mechanical specification (country housing):

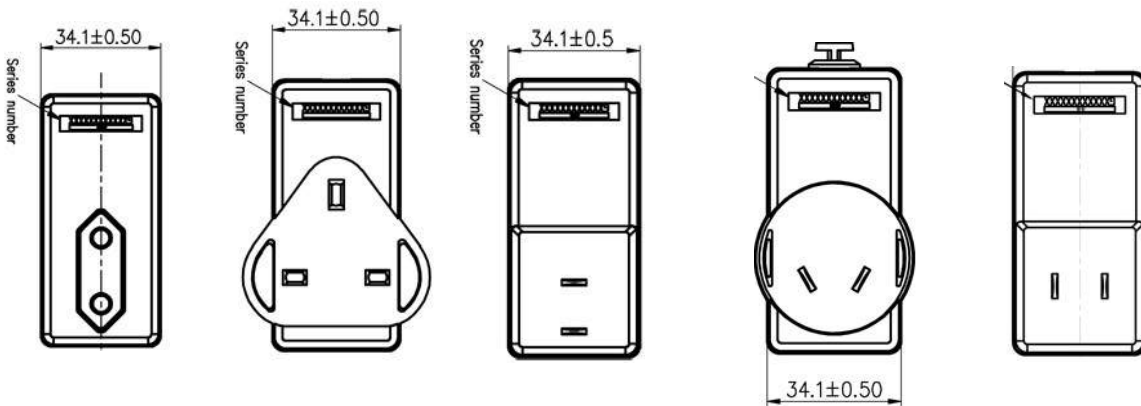
Europe type (W2E)

UK type (W3U)

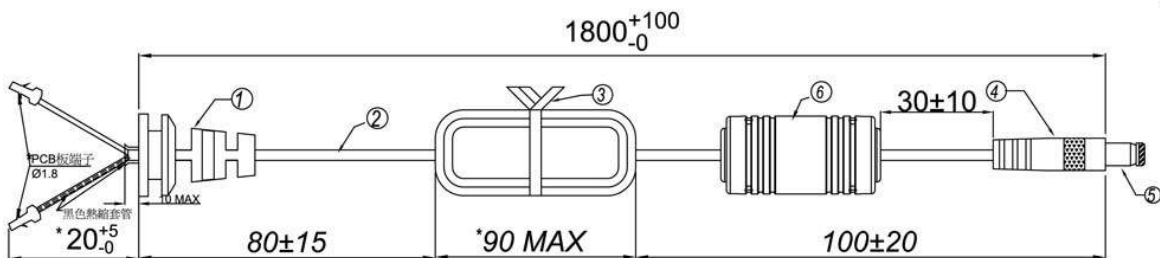
US / Japan type (W2)

Australia type (W2A)

China type (W2C)



Cable specification:



Country of Origin : China
 Operating Temperature : 0~40 [°C]
 Dimension : 40 x 35x 33 [mm]
 AC Plugs: EU, UK, USA/Japan, Australia, China
 Efficiency level : V - VI



Approvals / Marks :



Features:

Dual USB inlet charger with Exchangeable AC Plugs.

Wide range Input (90 ~ 264) VAC / (47 ~ 63) Hz.

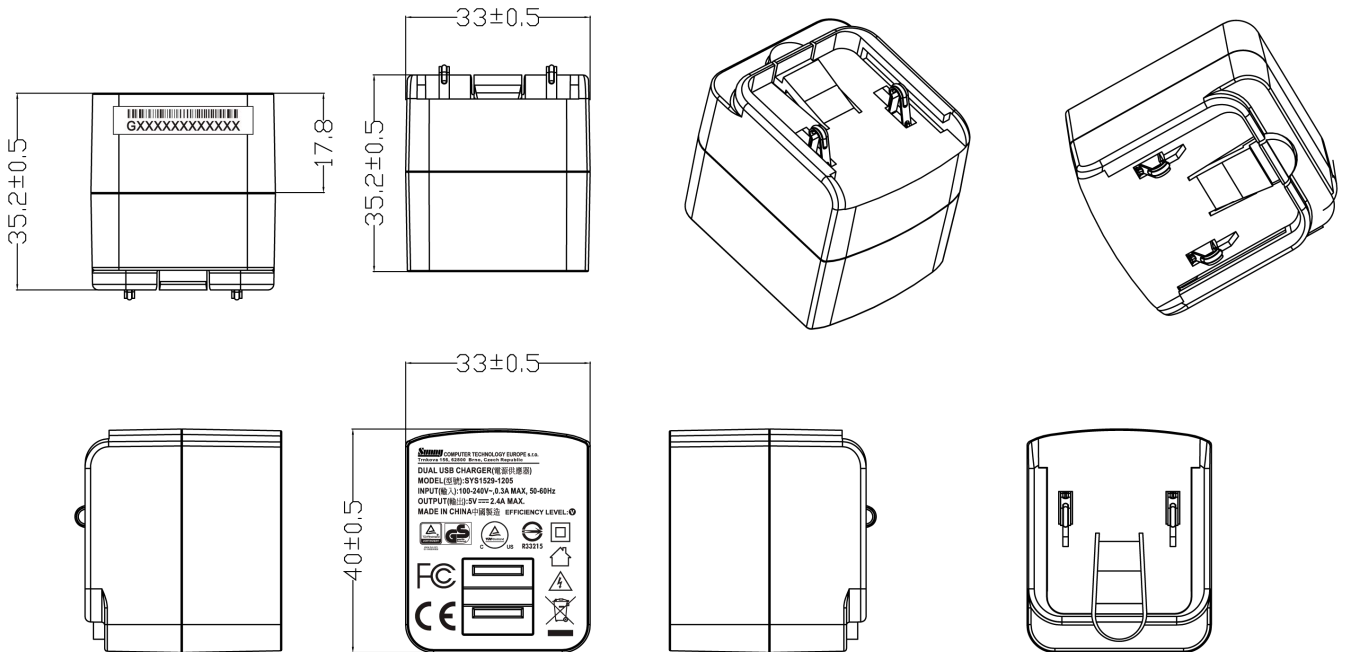
Customer can choose one or more from 5 AC plugs Wxx* (W2 - USA,Canada,Japan | W2A - Australia | W2C - China | W2E - Europe | W3U - England).

Output connector: dual USB inlet

Specification:

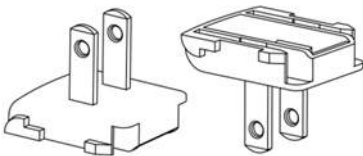
ErP V.	Model	Voltage DC [V]	Efficiency [%]	OCP [A]	OVP [V]	Max. Power [W]	Ripple & Noise [mV]p-p max.	Connector [mm]
	SYS1529-1205	5.0	75	2.5-3.0	max 10V	12	250	USB inlet
note	Max load: 2.4A if 1 USB port is used / 1.2A if 2 USB ports are used							
INPUT	Voltage	(90 ~ 264) VAC						
	Frequency	(47 ~ 63) Hz						
	Current	0.3 A at AC low line input and DC output full load						
	Input surge current	40A/60A max at power supply cold start, ambient temperature 25°C@115Vac/230Vac nominal AC input.						
	Power Efficiency	74.74% minimum average efficiency in active mode (Meet CEC V)						
PROTECTION	Over Current	The power supply will self-protect any output to ground.						
	Over Voltage	The power supply will not be auto recovered when faults remove 110%-150%. (Voltage limit)						
	Short Circuit	Is defined as any output impedance of less than 0.1Ω. The power supply will be auto recovered when short circuit faults remove.						
OUTPUT	Line regulation	-9 % / +5%						
	Hold up time	0.3ms min At AC nominal input@ output full load						
	Standby Power	0.3W max.						
	Cooling	Free air convection						
	M.T.B.F.	500,000 Calculated Hours at 25°C, by Telcordia SR-332						
	Withstand Voltage	I/P-O/P: 3000VAC						
ENVIRONMENT	Temperature	Operating: (0 ~ 40)°C / Storage: (-20 ~ 85)°C						
	Humidity	Operating: (8 ~ 90)% RH / Storage: (5 ~ 95)% RH						
SAFETY		CB FCC CE cTUVus TUV/GS BSMI						
CE	EMC	2014/30/EU						
	LVD	2014/35/EU EN 60950-1:2006+A11+A1+A12+A2						
WEIGHT	1pc	N.W.: 38g / pcs + plug						
PACKING	Box	0.455 x 0.390x 0.200 [m]						
		400pcs / 1box						
		G.W.: 18,1kg / box						

Mechanical case specification:

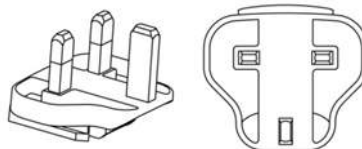


Mechanical specification (country housing):

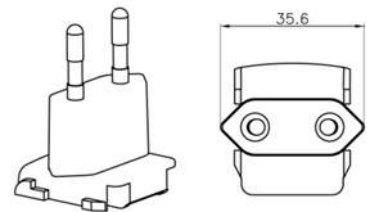
US / Japan type (W2)



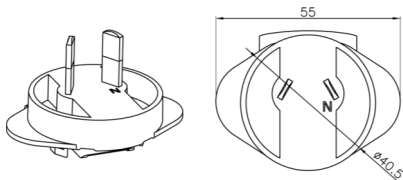
UK type (W3U)



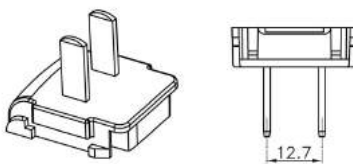
Europe type (W2E)



Australia type (W2A)



China type (W2C)



Country of Origin : China
 Operating Temperature : 0~40 [°C]
 Dimension : 75 x 34 x 43 [mm]
 Efficiency level (ErP) :
 Approvals / Marks :



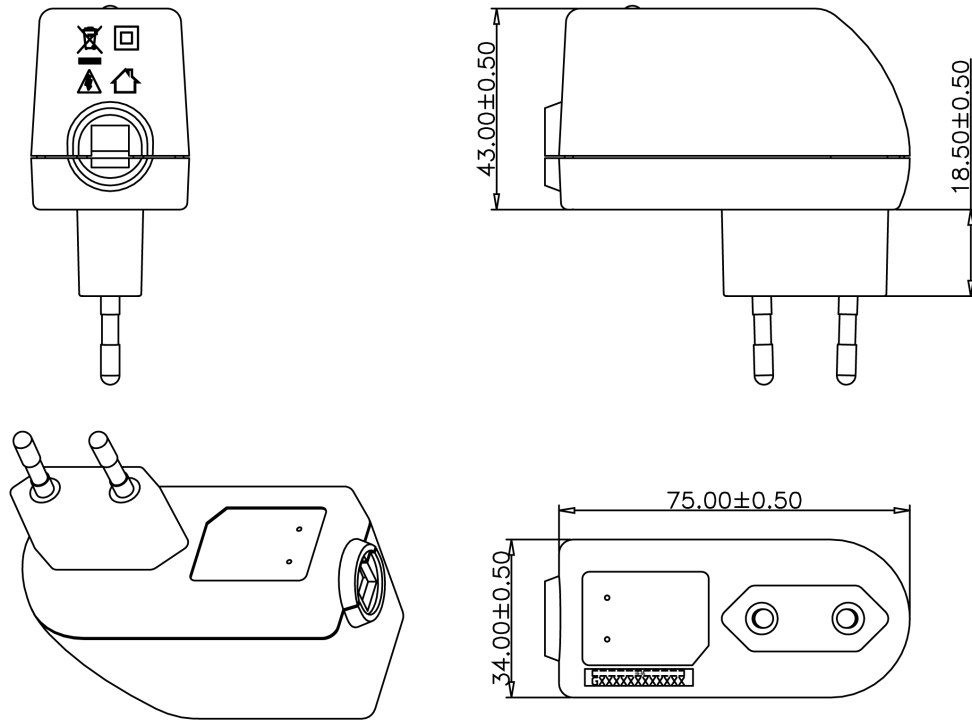
Features:

PWMIC electrical design.	For I.T.E. use only + RoHS conform.
Wide range Input (90 ~ 264) VAC / (47 ~ 63) Hz.	Over load, over voltage & short protection.
Output connector: standard: 2.1x5.5x11 or customer requirement.	
Available in versions: W2E(EU), W2(USA), W3U(UK), W2A (Australia), W2K(Korea), W2C (China).	

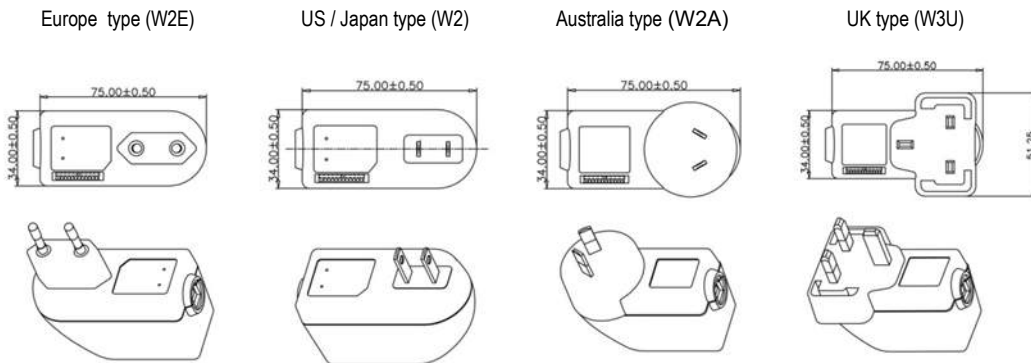
Specification:

	Model	Voltage DC [V]	Loading [A]	Tol. [%]	OCP [A]	OVP max [V]	Efficiency [%]	Max. Power [W]	Ripple & Noise [mV] p-p	Connector UL Approved [mm]
ErP V.	SYS1308-1808-Wxx	7.5	0~2.40	±5	3.0~5.5	16	>77.6	18	100	2.1x5.5x11
	SYS1308-1809-Wxx	9	0~2.00	±5	2.5~4.5	16	>77.6	18	100	2.1x5.5x11
	SYS1308-2412-Wxx	12	0~2.00	±5	3.5~5.5	16	>82	24	120	2.1x5.5x11
	SYS1308-2415-Wxx	15	0~1.60	±5	2.0~4.0	25	>82	24	150	2.1x5.5x11
	SYS1308-2418-Wxx	18	0~1.33	±5	2.0~4.0	25	>82	24	180	2.1x5.5x11
	SYS1308-2424-Wxx	24	0~1.00	±5	1.5~4.5	28	>82	24	240	2.1x5.5x11
ErP V. / CE only	SYS1308-2448-Wxx	48	0~0.50	±5	0.6~2.2	90	>82.1	24	480	2.1x5.5x11
Wxx	Possible to order with	Wxx = W2E - Europe W2 - USA,Canada,Japan W3U - UK W2A - Australia W2K - Korea W2C - China								
OEM Production	This model is certified for Uout=(3,5,6,7,5,9,12,15,18,24,48)V and Pout=in steps(9,15,18,24)W									
INPUT	Voltage	(90 ~ 264)VAC								
	Frequency	(47 ~ 63)Hz								
	Current	1A rms@ AC low line input and DC output full load								
	Inrush Surge Current (cold start)	40/60Amax. @ power supply cold start, ambient temperature 25°C @115Vac/230Vac nominal AC input.								
	Leakage current	<0.25 mA @ 240VAC input								
PROTECTION	Over load	OCP	Fold back							
	Over Voltage	OVP	Voltage limiting							
	Short Circuit	Yes, Output to Ground, Auto recovery when fault has been removed. Short Current & Over Current can not exceed 8A max. after 1minute at nominal line input.								
	Protection class	II.								
	No Load Operation	Yes, to protect the power supply and system from damage								
OTHERS	Dielectric Strength	HI-POT B / I/P-O/P (FG): 3KVAC / 10mA / 1 minute								
	Set up time	5000ms max. @ AC low line Input & Output full load								
	Hold-up Time	10ms @ AC nominal Input and Output full load								
	MTBF Qualification	500,000 Calculated Hours at 25°C, by Telcordia SR-332								
	DC cable & connector	Standard length of the cable 1,8m & It depends on customer requirements and upon specifications								
	Efficiency (Normal)	>77.6% min. @ 240VAC input & Full load								
	Efficiency level	V								
	Power Consumption	Max. 0.3W @ AC nominal Input and Output min. load – ERP IV. / ERP V has <0.3W								
	Input Fuse	1A protected against power line surges and any abnormal conditions								
	ENVIRONMENT	Temperature	Operating: (0 ~ 40)°C / Storage: (-20 ~ 85)°C							
Humidity		Operating: (8 ~ 90)% RH / Storage: (5 ~ 95)% RH non condensing								
SAFETY CE TUV/GS CB cULus FCC T-Licence C-Tick DOFT BSMI PSE VCCI CCC PSB KC										
CE	EMC	2014/30/EU								
	LVD	2014/35/EU EN 60950-1:2006+A11+A1+A12+A2								
WEIGHT	1pc	N.W.: 150g / pc								
		0.48 x 0.26 x 0.44 [m]								
PACKING	Box	80pcs / 1box								
		G.W.: 16.8kg / box								

Mechanical case specification:

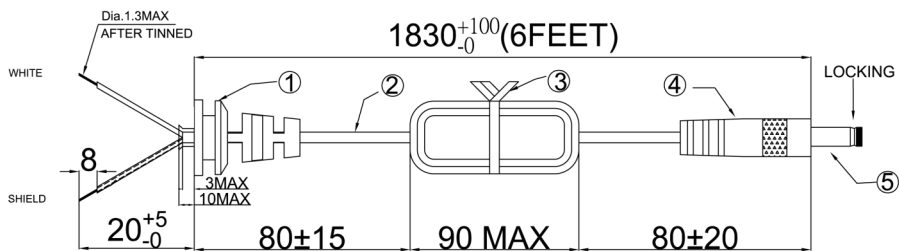


Mechanical specification (country housing):



Cable specification:

1185#20*1C + shield / 6FT (1830mm)



Country of Origin : China
 Operating Temperature : 0~40 [°C]
 Dimension : 72.5 x 34 x 45 [mm]
 Efficiency level (ErP) :
 Approvals / Marks :



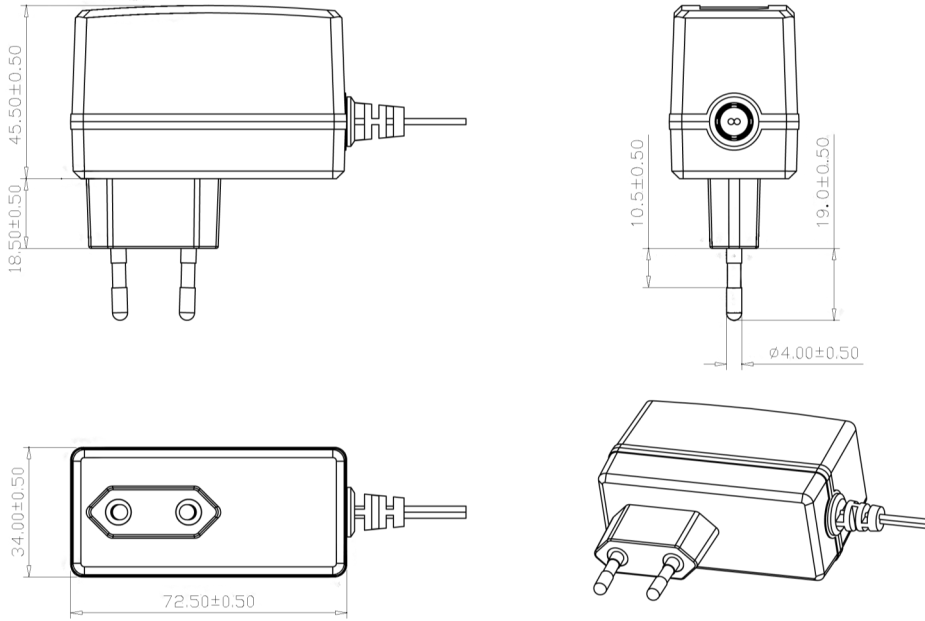
Features:

Wall-mount power supply, single output.	PSU housing ready for use in country :	
Overload, over voltage & short protection.	USA (type W2)	Europe (type W2E)
For I.T.E. use only + RoHS conform.	Australia (type W2A)	China (type W2C)
Wide range Input (90 ~ 264) VAC / (47 ~ 63) Hz.	UK (type W3U)	

Specification:

	Model	Voltage DC [V]	Min. Load [A]	Max. Load [A]	Total regul. [%]	OCP [A]	OVP max [V]	Max. Power [W]	Eff. [%]	Ripple & Noise [mV] p-p	Connector UL approval [mm]
ErP V.	SYS1449-1505-Wxx	5	0	3	±5	3.4~7.0	9	15	>76	200	2.1x5.5x11
	SYS1449-2005-Wxx	5	0	4	±5	4.4~8.0	9	20	>78	200	2.1x5.5x11
OEP Production	This model is certified for upon models only. Uout=5V / Pout=15W or 20W										
Wxx	Possible to order with	Wxx = W2E - Europe W2 - USA,Canada,Japan W3U - UK W2A - Australia W2C - China									
OUTPUT	Turn on delay	5000 ms max @ AC low line input@output full load									
	Hold up time	8ms min @ AC nominal input@ output full load (> half cycle)									
	Efficiency (Normal)	Minimum average efficiency in active mode									
	Transient response (dv, tmax)	1.2 dv max At AC nominal input loading from 50% load to max load or peak load. 12ms t max Dynamic rise time 10uS max , duty 40mS max , Dynamic load step is slew rate of 0.5A/uS									
	Overshoot / Undershoot (δV , δT)	more information will be provide on request									
	Burn in test	Full load 2 Hours									
INPUT	Voltage	(90 ~ 264)VAC									
	Frequency	(47 ~ 63) Hz									
	Current	0.5A rms @ AC low line input and DC output full load									
	Inrush Surge Current (cold start)	60A max @ At power supply cold start, ambient temperature 25°C @ 230Vac nominal AC input.									
	Leakage current	0.25 mA Max.									
PROTECTION	Power consumption	<0.3W rms max. At AC nominal input@output min load									
	Over Current / Short protection (OCP)	The power supply will self-protect any output to ground, And auto recovery when abnormal circuit faults remove. An output short circuit is defined as any output impedance of less than 0.1 ohms. Short current and over current can not exceed 8A max after 1 min. at nominal line input.									
	Over Voltage (OVP)	The power supply will not be auto recovered when faults remove >>Voltage limit<<									
	Input protection	1A Fuse - The power supply shall be protected against power line surges and any abnormal condition.									
	No load protection	The power supply is provided with no load operation to prevent the power supply and system from damage.									
OTHERS	Protection class	II.									
	Dielectric Strength (Hi-pot)	Primary to Secondary: 3000VAC / 10mA / 60s									
	M.T.B.F	500,000 Calculated Hours at 25°C, by Telcordia SR-332									
	Cable length and type	1500mm (5feet) round cable, 1185#18*1C+SHIELD or depends on customer requirements									
	PLD (power line disturbance)	LINE POWER SURGE LINE VOLTAGE SAG – more information will be provide on request									
	Cooling method	By natural air									
	Housing material	PC or PPO									
Temperature coefficient:	< ±0.5% / °C										
ENVIRONMENT	Temperature	Operating: (0 ~ 40)°C / Storage: (-20 ~ 85)°C									
	Humidity	Operating: 8% ~ 90% RH / Storage: 5% ~ 95% RH non condensing									
SAFETY CE TUV/GS CB FCC cULus PSE BSMI											
CE	EMC	2014/30/EU									
	LVD	2014/35/EU EN 60950-1:2006+A11+A1+A12+A2									
WEIGHT	1pc	N.W.: 139g / pc G.W.: 155g / pc 0.38(L) x 0.44(W) x 0.23(H) [m]									
PACKING	Box	80 pcs / 1box									
		N.W.: 11.2kg/box G.W.: 13.4 kg/box									

Mechanical case specification:



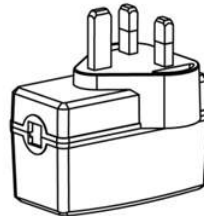
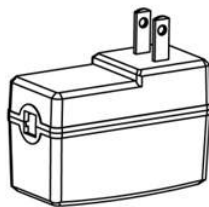
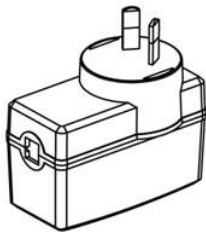
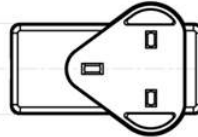
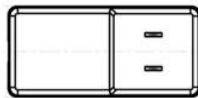
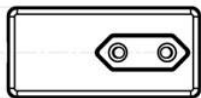
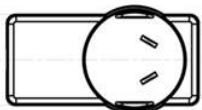
Mechanical specification (country housing):

Australia type (W2A)

Europe type (W2E)

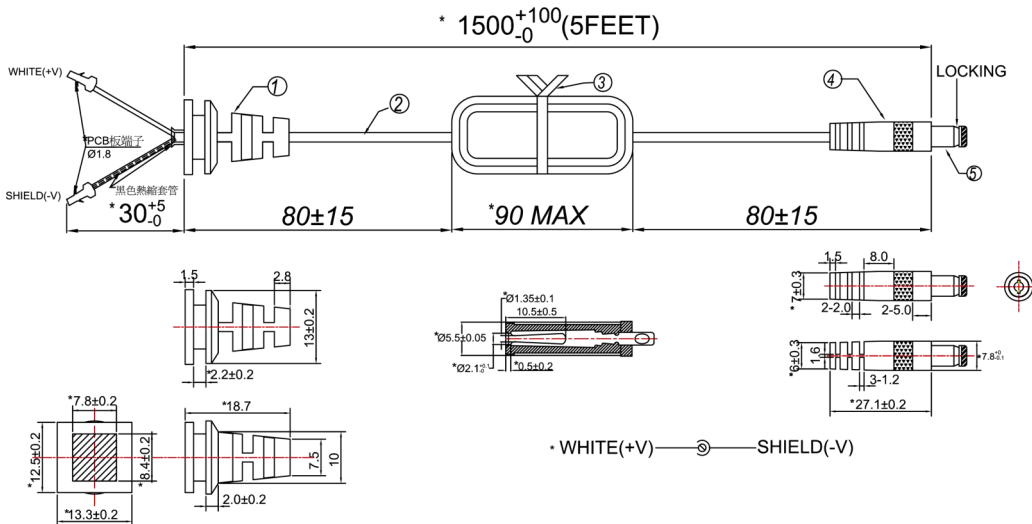
US / Japan type (W2)

UK type (W3U)



Cable specification:

1185#18*1C+shield / 5FT (1500mm)



Country of Origin :	China
Operating Temperature :	0~40 [°C]
Dimension :	93.5 x 46 x 35.8 [mm]
Certified AC Plugs:	EU, UK, USA/Japan, Aus, Korea, Brazil, Argentina, China, India, S. Africa
Efficiency level (ErP) :	VI



Approvals / Marks :



Specifications

Model	Voltage DC [V]	Loading [A]	Max. Power [W]	Ripple / Noise [mV] p-p	Connector [mm]
SYS1541-1505-Wxx*	5	0~3.0	15	180	2.1x5.5x11
SYS1541-1809-Wxx*	9	0~2.0	18	180	2.1x5.5x11
SYS1541-2412-Wxx*	12	0~2.0	24	180	2.1x5.5x11
SYS1541-2415-Wxx*	15	0~1.6	24	200	2.1x5.5x11
SYS1541-2418-Wxx*	18	0~1.33	24	240	2.1x5.5x11
SYS1541-2424-Wxx*	24	0~1.0	24	300	2.1x5.5x11

Features:

Certified plugs
Wxx = W2E - Europe | W3U - England | W2 - USA, Canada, Japan, Taiwan | W2A - Australia | W2B - Brazil | W2G - Argentina | W2C - China | W2K - Korea | W2I - India | W3S - South Africa
Output connector: standard: 2.1 x 5.5 x 11mm or customer requirement | Regulated Output With Low Ripple Noise | Safety Agency Requirements and EMC/EMS Certified
Private Label Marking Available | Modified and Custom Design Available | 2 Years Warranty

OUTPUT

Turn delay	5000ms max@AC low line input@output full load
Hold up time	5ms min@AC nominal input@output full load (>half cycle)
Efficiency (Normal)	Meet CEC,DOE,ERP,MEPS Level VI @115v/60HZ,230V/50HZ
Transient response (dv,tmax)	0.4V dv max At AC nominal input loading from 20%load to 80%load 16ms tmax Dynamic rise time 10us max,duty 40ms max,Dynamic load step is slew rate of 0.5A/us
Power out.Limit	Peak 28w
Burn in limit	Full load 2 Hours
Power consumption	Less than 0.075W ms max. At AC nominal input@output min load

INPUT

Voltage	(90~264)VAC
Frequency	(47~63)hz
Current	0.5A rms@AC low line input and DC output full load
Inrush Surge Current (cold start)	40/60A max@power supply cold start,ambient temperature 25°C @115Vac/230Vac nominal AC input
leakage current	0.25mA Max

PROTECTION

Over current/ Short protection	The power supply will self-protect any output to ground. And auto recovery when abnormal circuit faults remove .An output short circuit is defined as any output impedance of less than 0.1 ohms.
Over Voltage	The power supply will be auto recovered when faults remove
Input protection	F1:1A 250V Fuse The power supply shall be protected against power line surges and any abnormal condition
No Load protection	The power supply is provided with no load operation to prevent the power supply and system from damage.
Protection class	II, (ITU-T K.21 Surge 6KV on request)

CE

EMC	2014/30/EU
LVD	2014/35/EU EN 60950-1:2006+A11+A12+A2

SAFETY

UL | GS | CB | CE | FCC | CCC | BSMI | EK-Mark (2412/2424) | SAA | RCM | PSB (2412,2424) | EAC | INMETRO | BIS (2424) | PSE | S-Mark | STCOA

OTHERS

Dielectric Strength (Hi-pot)	Primary to Secondary:3000VAC 10mA/60S
M.T.B.F	500,000 Calculated Hours at 25°C, by Telcordia SR-332
Cable Length	1500mm (5 feet) standard cable or as required
PLD (power line disturbance)	Line power surge Line voltage SAG-more info on request
Cooling method	Natural Convection Cooling
Housing material	PC
Temperature coefficient:	< ±0.5% / °C

ENVIRONMENT

Temperature	Operating: 0~40°C / Storage: -20~85°C
Humidity	Operating: 8%~90%RH / Storage: 5%~95% RH non condensing

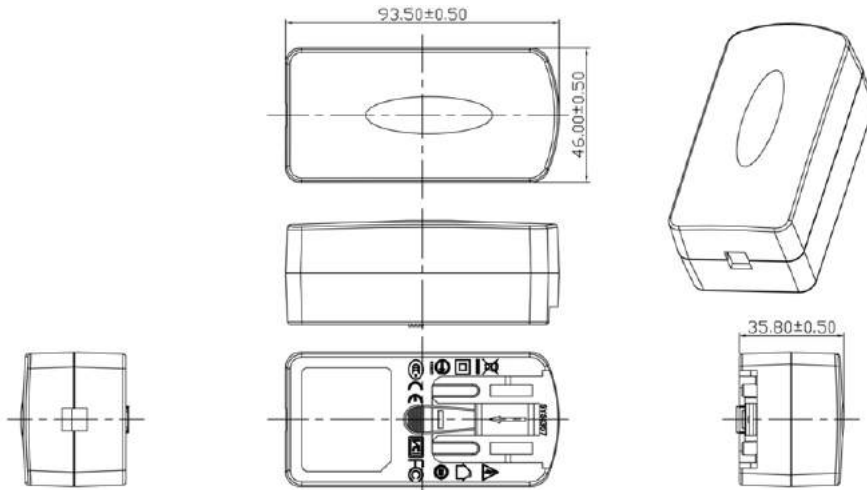
WEIGHT

NW: 135g/pc	
GW: 12.5kg/box	

PACKING

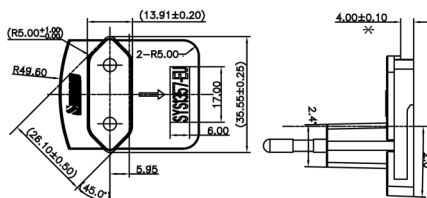
PE plastic bag	63 pcs/1 box
----------------	--------------

Mechanical case specification:

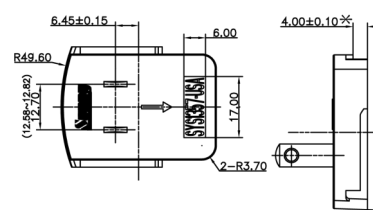


Mechanical specification (country housing):

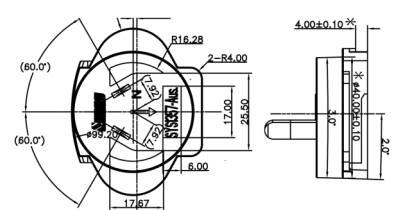
Europe type (W2E)



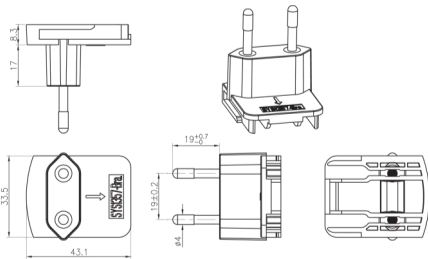
US type (W2)



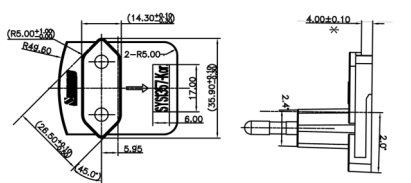
Australia type (W2A)



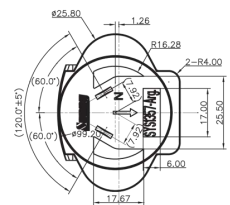
Brazil type (W2B)



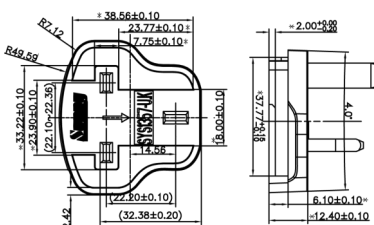
Korea type (W2K)



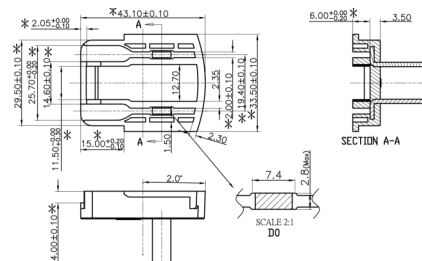
Argentina type (W2G)



UK type (W3U)

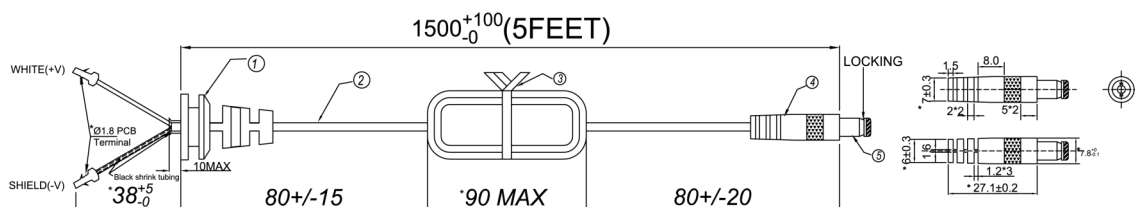


China type (W2C)



Cable specification:

1185#18*1C | 1500mm



Country of Origin : China
 Operating Temperature : 0~40 [°C]
 Dimension : 93.5 x 46 x 35.8 [mm]
 Certified AC Plugs: EU, UK, USA/Japan, Aus, Korea, Brazil, Argentina, China, India, S. Africa

Efficiency level (ErP) :

Approvals / Marks :



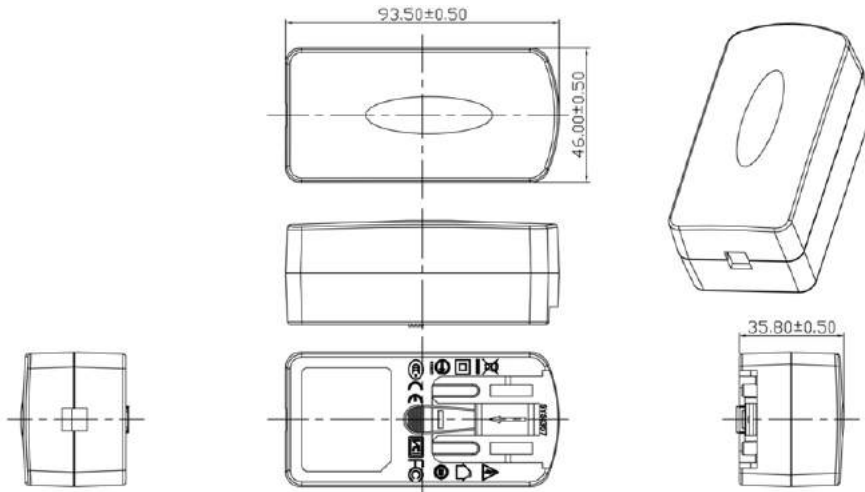
Features:

Wall-mount Adapter with Exchangeable AC Plugs.	For I.T.E. use only + RoHS conform.
Wide range Input (90 ~ 264) VAC / (47 ~ 63) Hz.	
Customer can choose one or more from 7 certified plugs Wxx*(W2E, W2, W3U, W2A, W2K, W2B, W2G, W2C, W2I, W3S).	
Output connector: standard: 2.1 x 5.5 x 11mm or customer requirement.	

Specification:

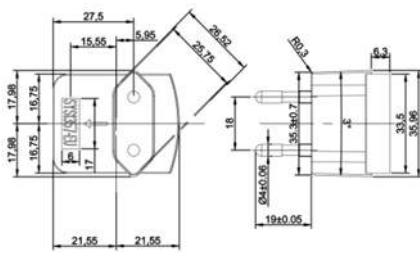
	Model	Voltage DC [V]	Loading [A]	OCP [A]	OVP [V]	Efficiency [%]	Max. Power [W]	Ripple / Noise [mV] p-p	Connector UL approved [mm]
ErP V.	SYS1357-1505-Wxx*	5	0~3.00	3.6~7.0	6.0~ 9.3	>76.00	15	120	2.1x5.5x11
*Wxx	Possible to order with	Wxx =W2E--Europe W2--USA, Canada, Japan W3U--UK W2A--Australia W2K--Korea W2B--Brazil W2G--Argentina W2C--China W2I--India W3S--South Africa							
OEM production	This model is certified for Uout[V] / Pout[W] = (5, 9, 15, 18, 24)V & (5~15W, 5~18, 5~24, 5~24)W by step of 1W								
INPUT	Voltage	(90 ~ 264) VAC							
	Frequency	(47 ~ 63) Hz							
	Current	1A rms@ AC low line input and DC output full load							
	Inrush Current (cold start)	40/60Amax. @ power supply cold start, ambient temperature 25°C @115Vac/230Vac nominal AC input.							
	Leakage current	< 0.25 mA max.							
PROTECTION	Over Current	The power supply will be auto recovered when over current faults remove. (Fold back)							
	Over Voltage	The power supply will not be auto recovered when faults remove 110%-150%. (Voltage limit)							
	Short Circuit	Is defined as any output impedance of less than 0.1Ω. The power supply will be auto recovered when short circuit faults remove.							
OTHERS	Line regulation	±5 %							
	Hold up time	10ms min At AC nominal input@ output full load							
	Standby Power	0.3W max.							
	Cooling	Free air convection							
	M.T.B.F.	500,000 Calculated Hours at 25°C, by Telcordia SR-332							
	Withstand Voltage	I/P-O/P: 3000VAC							
ENVIRONMENT	Temperature	Operating: (0 ~ 40)°C / Storage: (-20 ~ 85)°C							
	Humidity	Operating: 8% ~ 90% RH non condensing / Storage: 5% ~ 95% RH non condensing							
CONNECTION	Input	Plugs: EU, UK, US, AUS, China, Korea , Brazil, Argentina --- (exchangeable)							
	Output	Plug standard center '+' or customer requirement // Cable length 1,8m or 1,37m(5V/3A)							
SAFETY CE GS UL CB S-Mark PSE FCC CCC VCCI BSMI KC T-Mark C-Tick PSB RCM GOST-R EAC INMETRO									
EMC	EMI	EN 55022 Class B (2006)+ A1(2007) EN 61000-3-2 (2006) + A1(2009) + A2 Class A(2009)/EN 61000-3-3 (2008)							
	EMS	EN55024(1998)+A1(2001)+A2(2003) IEC 61000-4-2 (2008) IEC 61000-4-3 (2006) + A1(2007) + A2(2010) IEC 61000-4-4 (2004) + A1(2010) IEC 61000-4-5 (2005) IEC 61000-4-6 (2008) IEC 61000-4-8 (2009) IEC 61000-4-11 (2004)							
WEIGHT	1pc	N.W.: 155 g/pc + plug							
PACKING	Box	0.53 x 0.41 x 0.46 [m]							G.W.: - 12kg/box
		63pcs / 1box – provide without plugs / plugs are separately							

Mechanical case specification:

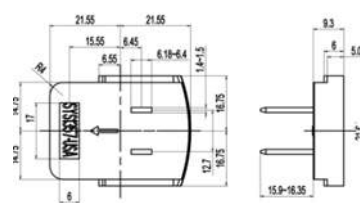


Mechanical specification (country housing):

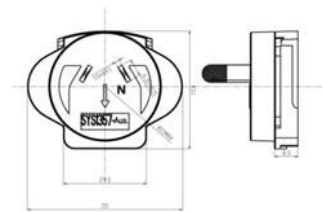
Europe type (W2E)



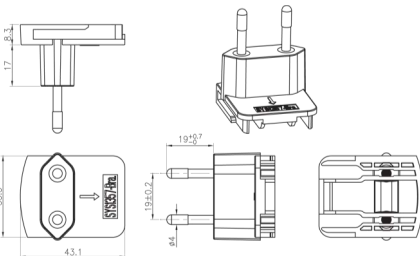
US type (W2)



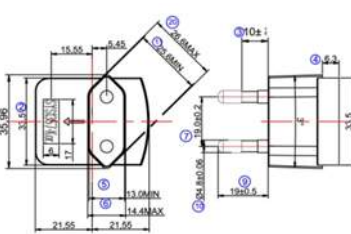
Australia type (W2A)



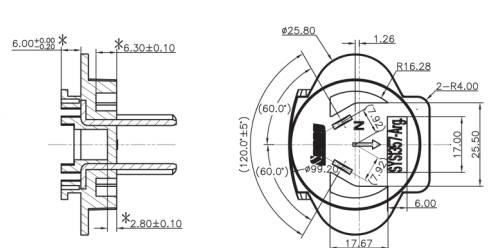
Brazil type (W2B)



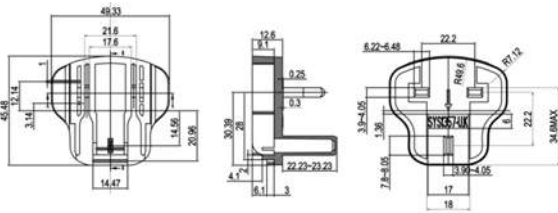
Korea type (W2K)



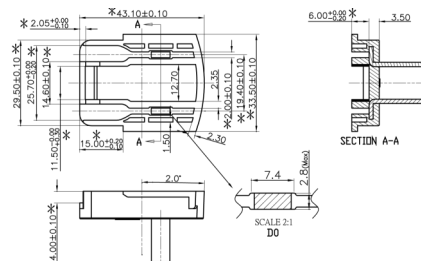
Argentina type (W2G)



UK type (W3U)

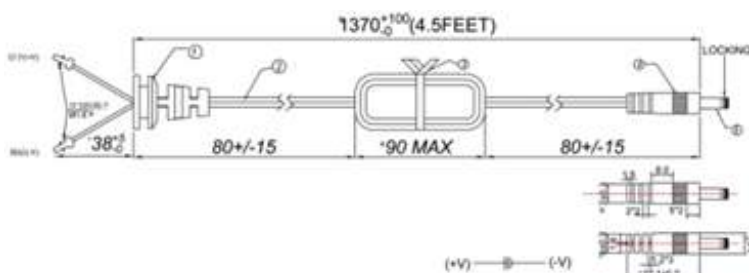




China type (W2C)



Cable specification:

2468#18*2C | 1370mm



Country of Origin : China
 Operating Temperature : 0~40 [°C]
 Dimension : 75 x 34 x 43 [mm]
 Efficiency level (ErP) : 
 Approvals / Marks : 



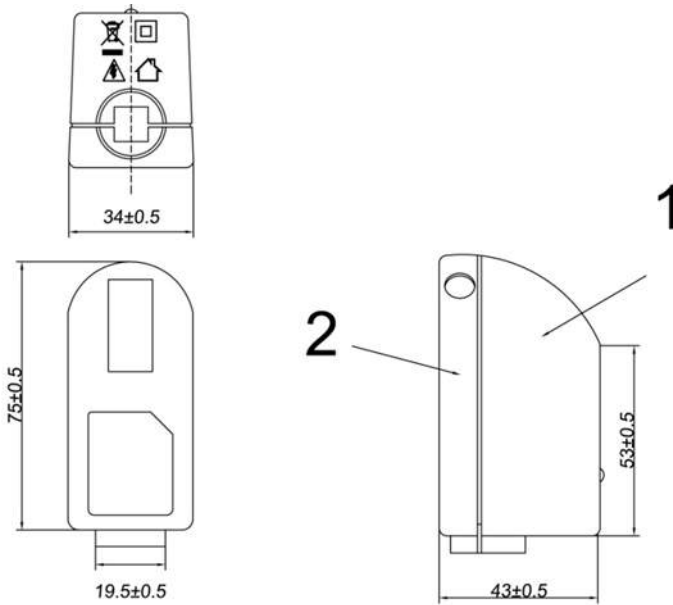
Features:

PWMIC electrical design.
 Wide range Input (90 ~ 264) VAC / (47 ~ 63) Hz + S/T AC input cable 0.5m.
 Over load, over voltage & short protection.
 Output connector: standard: 2.1x5.5x11 or customer requirement.
 For I.T.E. use only + RoHS conform.

Specification:

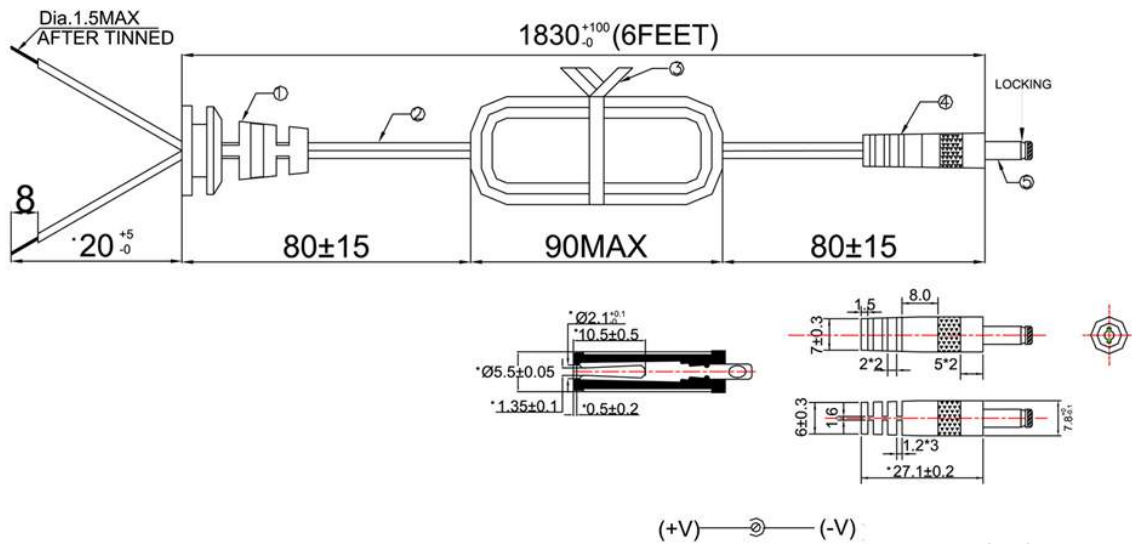
	Model	Voltage DC [V]	Loading [A]	Tol. [%]	OCP [A]	OVP [V]	Efficiency [%]	Max. Power [W]	Ripple & Noise [mV] p-p	Connector UL approved [mm]
ErP V.	SYS1308-2412-special	12	0.05~2	±5	3.0~8.0	16max	>82	24	120	2.1x5.5x11
INPUT	Voltage	(90 ~ 264) VAC								
	Frequency	(47 ~ 63) Hz								
	Current	1A rms @ 230VAC At AC low line input and DC output full load								
	Surge Current max.	40A/60Amax. At power supply cold start, ambient temperature 25°C @ 115VAC / 230VAC nominal AC input.								
	Leakage current	<0.25 mA @ 240Vac input								
	Power Consumption	Max. 0.3W @ AC nominal Input and Output min. load								
	Hold-up Time	10ms @ AC nominal Input and Output full load								
	Input AC cable	Standard length: 0.5m; Material: H03VVH2-F 2*0.75mm ² (UL approval); Double insulation								
PROTECTION	Over load	OCP	Fold back							
	Over Voltage	OVP	Voltage limiting							
	Short Circuit	The power supply will self-protect any output to ground, And auto recovery when abnormal circuit faults remove. An output short circuit is defined as any output impedance of less than 0.1 ohms.								
	Input Protection	1A Fuse The power supply shall be protected against power line surges and any abnormal condition.								
	Protection class	II.								
	No Load Operation	Yes, The power supply is provided with noload operation to prevent the power supply and system from damage.								
OTHERS	Dielectric Strength	HI-POT B I/P-O/P (FG): 3KVAC 10mA @ 1 minute								
	Output transient response (dv, tmax)	0.3v dv max 16ms t max								
	Power output limit	Peak27W								
	Turn on delay	7000ms max. @ AC low line Input & Output full load								
	DC output regulation	U=12V, Loading: min 0A – max 2.7A peak, total regulation: 5%, 15s max. at AC nominal input & output 2.7A								
	MTBF Qualification	500,000 Calculated Hours at 25°C, by Telcordia SR-332								
	DC cable & connector	Standard length of the cable 1.8m (18AWGX2C) & It depends on customer requirements and upon specifications								
	Efficiency (Normal)	>82% min. @ 240VAC input & Full load								
	PLD (power line disturbance)	Line power surge: The power supply shall meet its specification with a rise in AC voltage to 120% of maximum rated line voltage (288 voltage for 100-240 VAC operation) for a maximum of 20ms at 50Hz and 16ms at 60Hz. The surge is to be applied five times with an interval of one minute between surges. Line Voltage SAG: The power supply shall continue to meet its specifications with a line voltage drop (and subsequent return to minimum rated voltage) to 68 VAC with a total power sag cycle time of 20 ms (rise and fall time shall equal 10 ms each).								
	Cooling	By natural air								
ENVIRONMENT	Temperature	Operating: (0 ~ 40)°C Storage: (-20 ~ 85)°C Temperature coefficient: <±5%/°C								
	Humidity	Operating: (8 ~ 90)% RH Storage: (5 ~ 95)% RH non condensing								
SAFETY	CE									
CE	EMC	2014/30/EU								
	LVD	2014/35/EU EN 60950-1:2006+A11+A1+A12+A2								
WEIGHT	1pc	N.W.: 168g / pc G.W.: 188g / pc								
		0.48 x 0.26 x 0.44 [m]								
PACKING	Box	56pcs / 1box								
		G.W.: 11.9 kg / box								

Mechanical case specification:

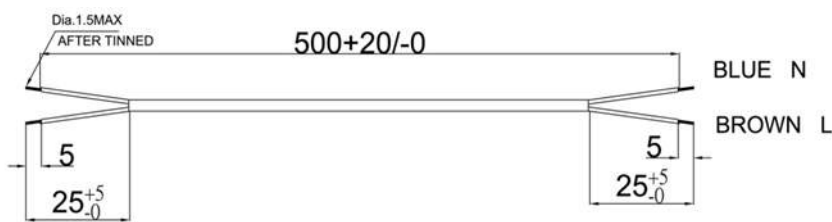


Cable specification:

A) DC- output: STP-1#18AWG*2C (2.1*5.5*11)



B) AC-input :



- 1.CORD MATERIAL:H03VVH2-F 2*0.75mm².(UL APPROVAL).
- 2.OUT JACKET:PVC.COLOR:BLACK.
- 3.RoHS CABLE
- 4.Double Insulation

Country of Origin :	China
Operating Temperature :	0~40 [°C]
Dimension :	82.3 x 71.1 x 34.5 [mm]
Efficiency level (ErP) :	V



Approvals / Marks :



Specifications

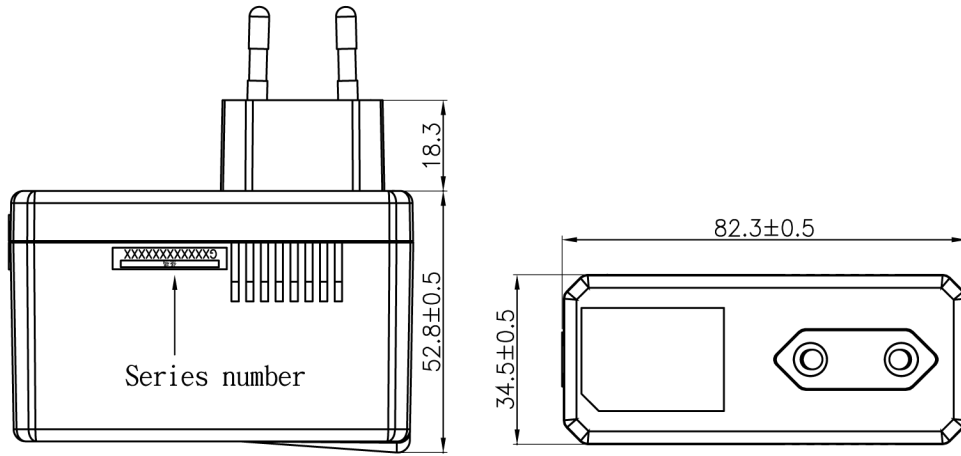
Model	Voltage DC [V]	Loading [A]	Max. Power [W]	Ripple / Noise [mV] p-p	Connector [mm]
SYS1452-3012-W2E	12	0~2.5	30.1	200	2.1x5.5x9.5

Features:

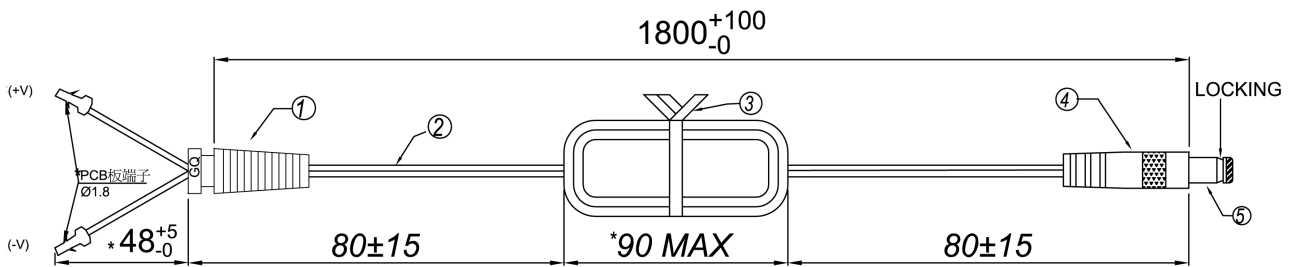
Output connector: standard: 2.1 x 5.5 x 9.5mm or customer requirement | Regulated Output With Low Ripple Noise | Safety Agency Requirements and EMI/EMS Certified
Private Label Marking Available | Modified and Custom Design Available | 2 Years Warranty

OUTPUT		CE	
Turn delay	7000 ms max @ AC low line input@output full load	EMC	2014/30/EU
Hold up time	5ms min@AC nominal input@output full load (>half cycle)	LVD	2014/35/EU EN 60950-1:2006+A11+A1+A12+A2
Efficiency (Normal)	Meet CEC, ERP Level V @115v/60HZ,230V/50HZ	SAFETY	
Transient response (dv,tmax)	0.3v dv max At AC nominal input loading from 50% load to max load or peak load 8ms tmax Dynamic rise time 10uS max , duty 40mS max , Dynamic load step is slew rate of 0.5A/uS	GS CB CE	
Power out.Limit	-	OTHERS	
Burn in limit	Full load 2 Hours	Dielectric Strength(Hi-pot)	Primary to Secondary:3000VAC 10mA/60S
Power consumption	Less than 0.03W rms max. At AC nominal input@output no load	M.T.B.F	500,000 Calculated Hours at 25°C, by Telcordia SR-332
INPUT		Cable Length	1800mm (6 feet) standard cable or as required
Voltage	(90~264)VAC	PLD (power line disturbance)	Line power surge Line voltage SAG-more info on request
Frequency	(47~63)hz	Cooling method	Natural Convection Cooling
Current	1A rms @ AC low line input and DC output full load	Housing material	PC
Inrush Surge Current (cold start)	30/60A max@power supply cold start,ambient temperature 25°C @115Vac/230Vac nominal AC input	Temperature coefficient:	< ±0.5% / °C
leakage current	0.25mA Max	ENVIRONMENT	
PROTECTION		Temperature	Operating: 0~40°C / Storage: -20~85°C
Over current/ Short protection	The power supply will self-protect any output to ground and auto recovery when abnormal circuit faults remove. An output short circuit is defined as any output impedance of less than 0.1 ohms.	Humidity	Operating: 8%~90%RH / Storage: 5%~95% RH non condens-ing
Over Voltage	The power supply will be auto recovered when faults remove	WEIGHT	
Input protection	2.0AL/250V Fuse. F2 connected from MOV(Varistor) to remaining PS circuitry to protect PS from excessive current draw.	1PC	NW: 174g/pc
No Load protection	The power supply is provided with no load operation to prevent the power supply and system from damage.		GW: 12,6kg/box
Protection class	II, (ITU-T K.21 Surge 6KV on request)	PACKING	
		PE plastic bag	64 pcs /1 box

Mechanical case specification:



Cable specification:





GREEN MODE

RoHS

Country of Origin : China
 Operating Temperature : 0~40 [°C]
 Dimension : 80x 58x 39 [mm]
 Certified AC Plugs: EU, UK, USA/Japan/Taiwan, Aus, China, Korea
 Efficiency level (ErP) : VI



Approvals / Marks :



Specifications

Model	Voltage DC [V]	Loading [A]	Max. Power [W]	Ripple / Noise [mV] p-p	Connector [mm]
SYS1588-2005-Wxx*	5	0~4	20	120	2.1x5.5x11
SYS1588-2406-Wxx*	6	0~4	24	120	2.1x5.5x11
SYS1588-3009-Wxx*	9	0~3.33	30	120	2.1x5.5x11
SYS1588-3012-Wxx*	12	0~2.5	30	200	2.1x5.5x11
SYS1588-3015-Wxx*	15	0~2.0	30	200	2.1x5.5x11
SYS1588-3018-Wxx*	18	0~1.66	30	240	2.1x5.5x11
SYS1588-3024-Wxx*	24	0~1.25	30	240	2.1x5.5x11
SYS1588-3048-Wxx*	48	0~0.63	30	400	2.1x5.5x11

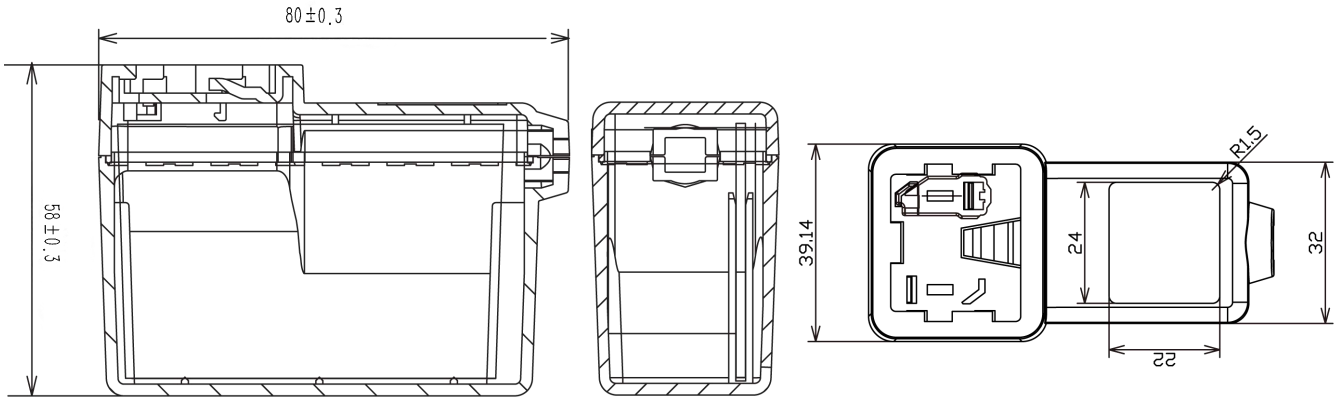
Features:

Certified plugs Wxx = W2E - Europe | W3U - England | W2 - USA, Canada, Japan, Taiwan | W2A - Australia | W2C - China | W2K - Korea
 Output connector: standard: 2.1 x 5.5 x 11mm or customer requirement | Regulated Output With Low Ripple Noise | Safety Agency Requirements and EMV/EMS Certified
 Private Label Marking Available | Modified and Custom Design Available | 2 Years Warranty

OUTPUT	
Turn delay	5000ms max@AC low line input@output full load
Hold up time	8ms min@AC nominal input@output full load
Efficiency (Normal)	>85%@115v/60HZ,230V/50HZ input & Full load
Transient response (dv,tmax)	0.4V dv max At AC nominal input loading from 20%load to 80% load
	16ms tmax Dynamic rise time 10 us max,duty 40ms max,Dynamic load step is slow rate of 0.5A/us
Power out.Limit	30W
Burn in limit	Full load 2 Hours
Power consumption	0.1W max. At AC nominal input@output min load
INPUT	
Voltage	(90~264)VAC
Frequency	(47~63)hz
Current	1.5A rms@AC low line input and DC output full load
Inrush Surge Current (cold start)	40/60A max@power supply cold start,ambient temperature 25°C @115Vac/230Vac nominal AC input
leakage current	0.25mA Max
PROTECTION	
Over current/ Short protection	The power supply will be auto recovered when over current or short circuit faults remove (fold back). Is defined as any output impedance of less than 0.1Ω. The power supply will be auto recovered when short circuit faults remove
Over Voltage	The power supply will not be auto recovered when faults remove 110%-150%. (Voltage limit)
Input protection	F1:2A 250V Fuse The power supply shall be protected against power line surges and any abnormal condition
No Load protection	The power supply is provided with no load operation to prevent the power supply and system from damage.
Protection class	II, (ITU-T K.21 Surge 6KV on request)

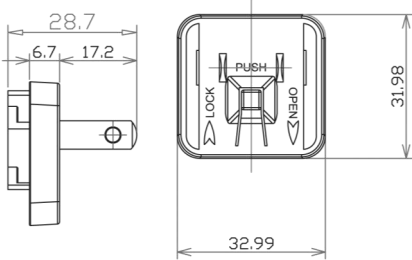
CE	
EMC	2014/30/EU
LVD	2014/35/EU EN 60950-1:2006+A11+A1+A12+A2
SAFETY	
CE GS cTUVus FCC RCM PSE EAC CB	
OTHERS	
Dielectric Strength (Hi-pot)	I/P-O/P:3000VAC
M.T.B.F	500,000 Calculated Hours at 25°C, by Telcordia SR-332
Cable Length	1370mm (4.5 feet) standard cable or as required
PLD (power line disturbance)	Line power surge Line voltage SAG-more info on request
Cooling method	Natural Convection Cooling
Housing material	PC + ABS
Temperature coefficient:	< ±0.5% / °C
ENVIRONMENT	
Temperature	Operating: 0~40°C / Storage: -20~85°C
Humidity	Operating: 8%~90%RH / Storage: 5%~95% RH non condensing
WEIGHT	
NW:	240g/pc + plug
GW:	255g/pc + plug
PACKING	
Box	75 pcs/1 box

Mechanical case specification:

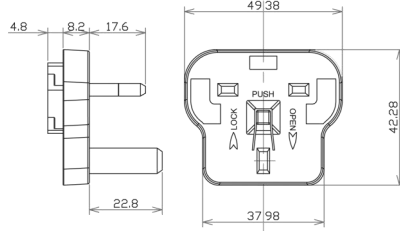


Mechanical specification (country housing):

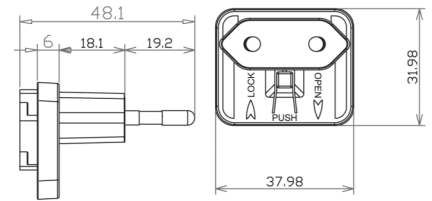
US / Japan type (W2)



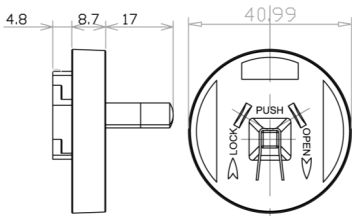
UK type (W3U)



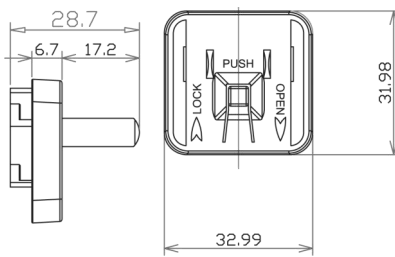
Europe type (W2E)



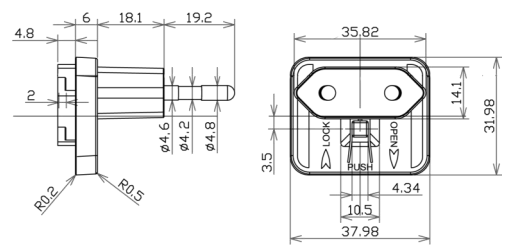
Australia type (W2A)



China type (W2C)

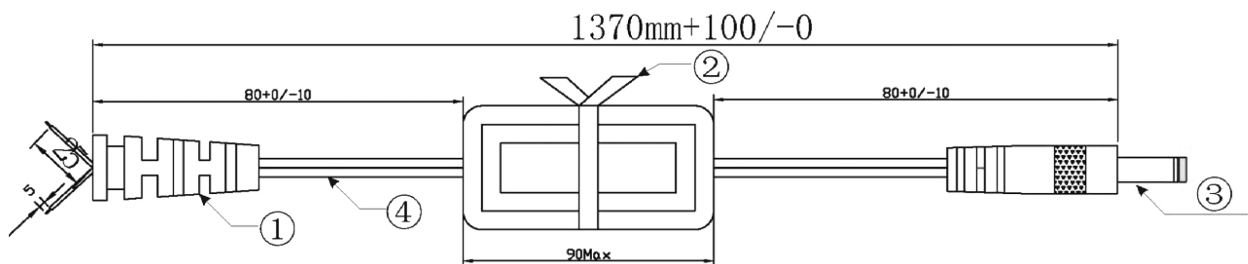


Korea type (W2K)



Cable specification:

2468#18AWG*2C|1370mm (wire cable)



Country of Origin : China
 Operating Temperature : 0~40 [°C]
 Dimension : 80x 58x 39 [mm]
 Certified AC Plugs: EU, UK, USA/Japan/Taiwan, Aus, China, Korea
 Efficiency level (ErP) : VI



Approvals / Marks :



Specifications

Model	Voltage DC [V]	Loading [A]	Max. Power [W]	Ripple / Noise [mV] p-p	Connector [mm]
SYS1588-3005-Wxx*	5	0~6	30	120	2.1x5.5x11
SYS1588-3609-Wxx*	9	0~4	36	120	2.1x5.5x11
SYS1588-4012-Wxx*	12	0~3.3	40	200	2.1x5.5x11
SYS1588-4015-Wxx*	15	0~2.6	40	200	2.1x5.5x11
SYS1588-4018-Wxx*	18	0~2.2	40	240	2.1x5.5x11
SYS1588-4024-Wxx*	24	0~1.6	40	240	2.1x5.5x11
SYS1588-4048-Wxx*	48	0~0.8	40	400	2.1x5.5x11

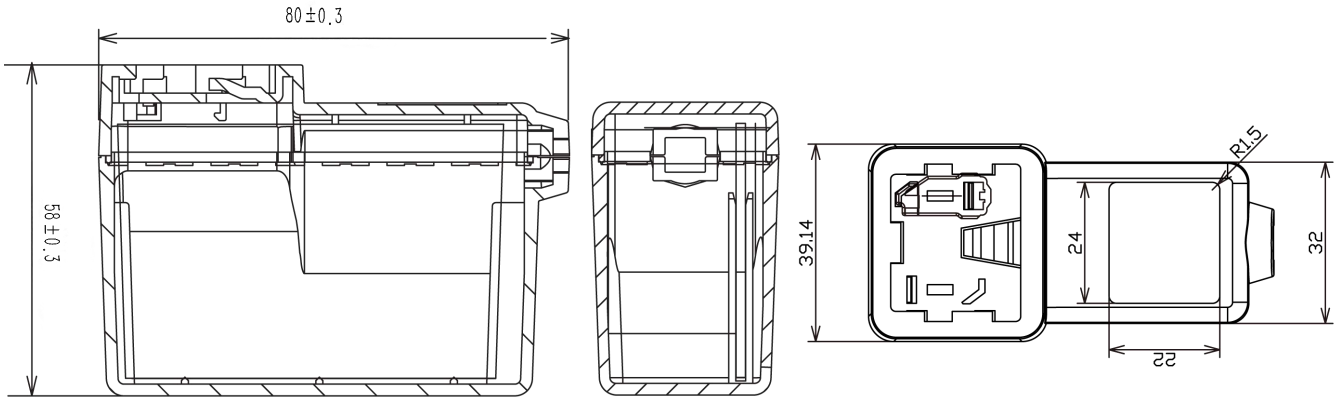
Features:

Certified plugs Wxx = W2E - Europe | W3U - England | W2 - USA, Canada, Japan, Taiwan | W2A - Australia | W2C - China | W2K - Korea
 Output connector: standard: 2.1 x 5.5 x 11mm or customer requirement | Regulated Output With Low Ripple Noise | Safety Agency Requirements and EM/EMS Certified
 Private Label Marking Available | Modified and Custom Design Available | 2 Years Warranty

OUTPUT	
Turn delay	5000ms max@AC low line input@output full load
Hold up time	8ms min@AC nominal input@output full load
Efficiency (Normal)	>87%@115v/60HZ,230V/50HZ input & Full load
Transient response (dv,tmax)	0.4V dv max At AC nominal input loading from 20%load to 80% load
	16ms tmax Dynamic rise time 10 us max,duty 40ms max,Dynamic load step is slew rate of 0.5A/us
Power out.Limit	40W
Burn in limit	Full load 2 Hours
Power consumption	0.1W max. At AC nominal input@output min load
INPUT	
Voltage	(90~264)VAC
Frequency	(47~63)hz
Current	1.5A rms@AC low line input and DC output full load
Inrush Surge Current (cold start)	40/60A max@power supply cold start,ambient temperature 25°C @115Vac/230Vac nominal AC input
leakage current	0.25mA Max
PROTECTION	
Over current/ Short protection	The power supply will be auto recovered when over current or short circuit faults remove (fold back). Is defined as any output impedance of less than 0.1Ω.The power supply will be auto recovered when short circuit faults remove
Over Voltage	The power supply will not be auto recovered when faults remove 110%-150%. (Voltage limit)
Input protection	F1:2A 250V Fuse The power supply shall be protected against power line surges and any abnormal condition
No Load protection	The power supply is provided with no load operation to prevent the power supply and system from damage.
Protection class	II, (ITU-T K.21 Surge 6KV on request)

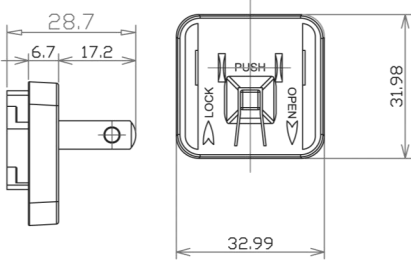
CE	
EMC	2014/30/EU
LVD	2014/35/EU EN 60950-1:2006+A11+A1+A12+A2
SAFETY	
CE GS cTUVus FCC RCM PSE EAC CB	
OTHERS	
Dielectric Strength (Hi-pot)	I/P-O/P:3000VAC
M.T.B.F	500,000 Calculated Hours at 25°C, by Telcordia SR-332
Cable Length	1370mm (4.5 feet) standard cable or as required
PLD (power line disturbance)	Line power surge Line voltage SAG-more info on request
Cooling method	Natural Convection Cooling
Housing material	PC + ABS
Temperature coefficient:	< ±0.5% / °C
ENVIRONMENT	
Temperature	Operating: 0~40°C / Storage: -20~85°C
Humidity	Operating: 8%~90%RH / Storage: 5%~95% RH non condensing
WEIGHT	
NW:	240g/pc + plug
GW:	255g/pc + plug
PACKING	
Box	75 pcs/1 box

Mechanical case specification:

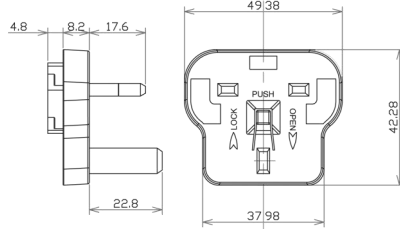


Mechanical specification (country housing):

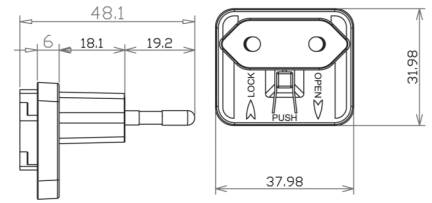
US / Japan type (W2)



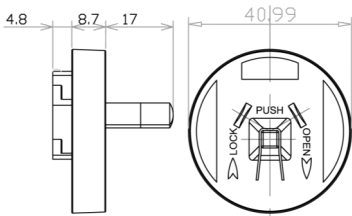
UK type (W3U)



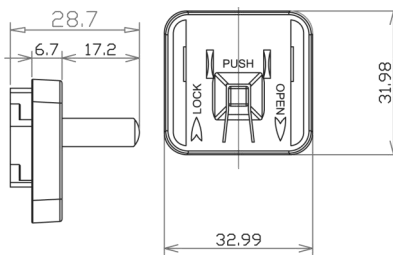
Europe type (W2E)



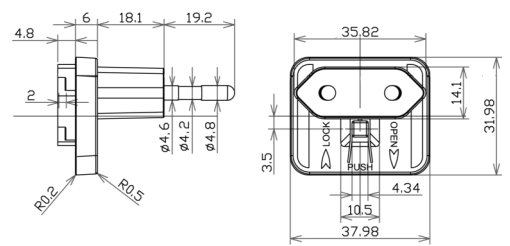
Australia type (W2A)



China type (W2C)



Korea type (W2K)



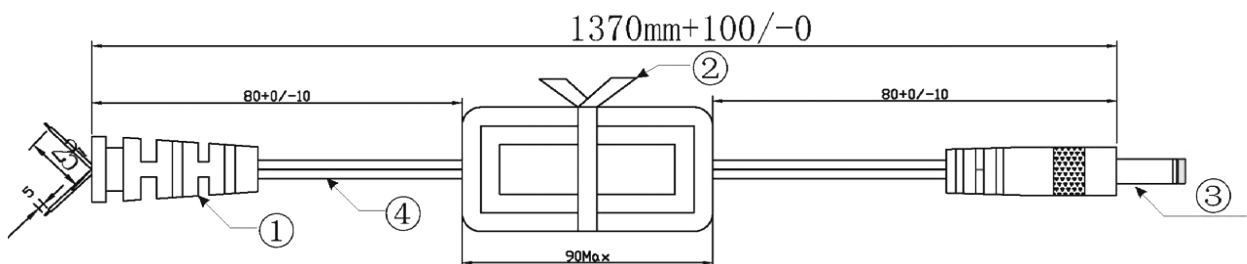
Cable specification:

for model SYS1588-3612

2468#18AWG*2C|1370mm (wire cable)

for model SYS1588-3634

2468#20AWG*2C|1370mm (wire cable)



Country of Origin : China

Operating Temperature : 0~40 [°C]

Efficiency level (ErP) :



Approvals / Marks :



Features:

LAN Activity Indicator: Detects if LAN is connected to device

Remote Reset Capability: Supports Airmax Bullet, Rocket, Nano, Pico

APPLICATION: telecommunication apparatus only

Specification:

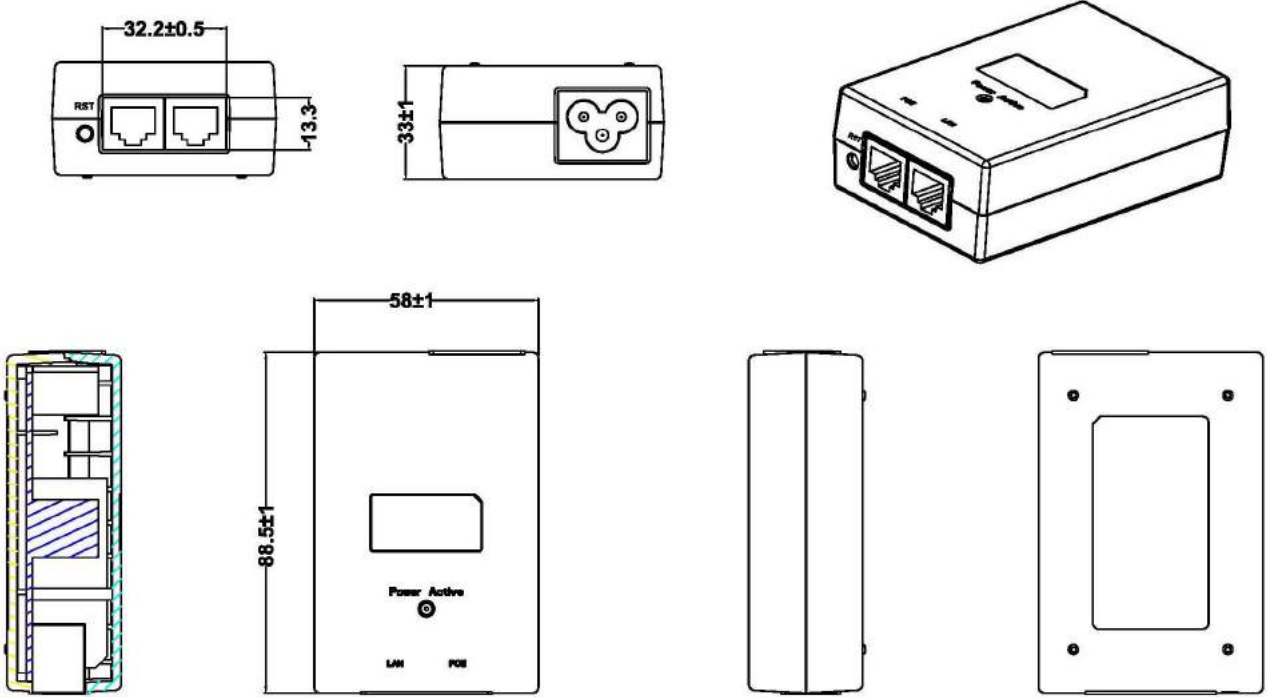
Model	PoE-1215-M3	PoE-2424-M3
Size (L*W*H)	85 x 43 x 30 [mm]	85 x 55 x 33 [mm]
Output Voltage:	15VDC @0.8A	24VDC @1.0A
Input Voltage:	90-260VAC @47-63Hz	90-260VAC @47-63Hz
Input Current:	0.3A @120VAC, 0.2A @230VAC	0.3A @120VAC, 0.2A @230VAC
Inrush Current:	<15A peak @120VAC, <30A peak	<15A peak @120VAC, <30A peak
Efficiency	78%	78%
Output Ripple	1% Max (150mV)	1% Max (240mV)
Short Circuit	The adapter shall not damage by short the DC output to ground	The adapter shall not damage by short the DC output to ground
Peak Load Current	Max. 1.1A (time <60sec)	Max 1.3A (time <60sec)
Hold-up Time	10mS at typical input voltage and full load	10mS at typical input voltage and full load
Turn-on Delay	3sec at typical input voltage and load current	3sec at typical input voltage and load current
Over Current	Auto recovery	Auto recovery
Over Voltage Protection	Typ. 16.5V, Max 19.5V	Typ. 27.6V, Max. 32V
Switching Frequency	200kHz	200kHz
Line Regulation	+/- 0.5%	+/- 0.5%
Load Regulation	+/- 1%	+/- 1%
Suitable AC cable	IEC320-C5 ("Mickey Mouse")	IEC320-C5 ("Mickey Mouse")
Data IN / PoE	RJ45 Shielded Socket	RJ45 Shielded Socket
80% Current Indicator	Power LED will change color	Power LED will change color
Surge Protection	Common Mode	Common Mode
Shunt Capacitance	<5pF data	<5pF data
Response Time	<1Sec	<1Sec
Temperature	Operating: (0 ~ 40)°C / Storage: (-20 ~ 85)°C	Operating: (0 ~ 40)°C / Storage: (-20 ~ 85)°C
Humidity	Operating: 5% ~ 90% non condensing	Operating: 5% ~ 90% non condensing

SAFETY

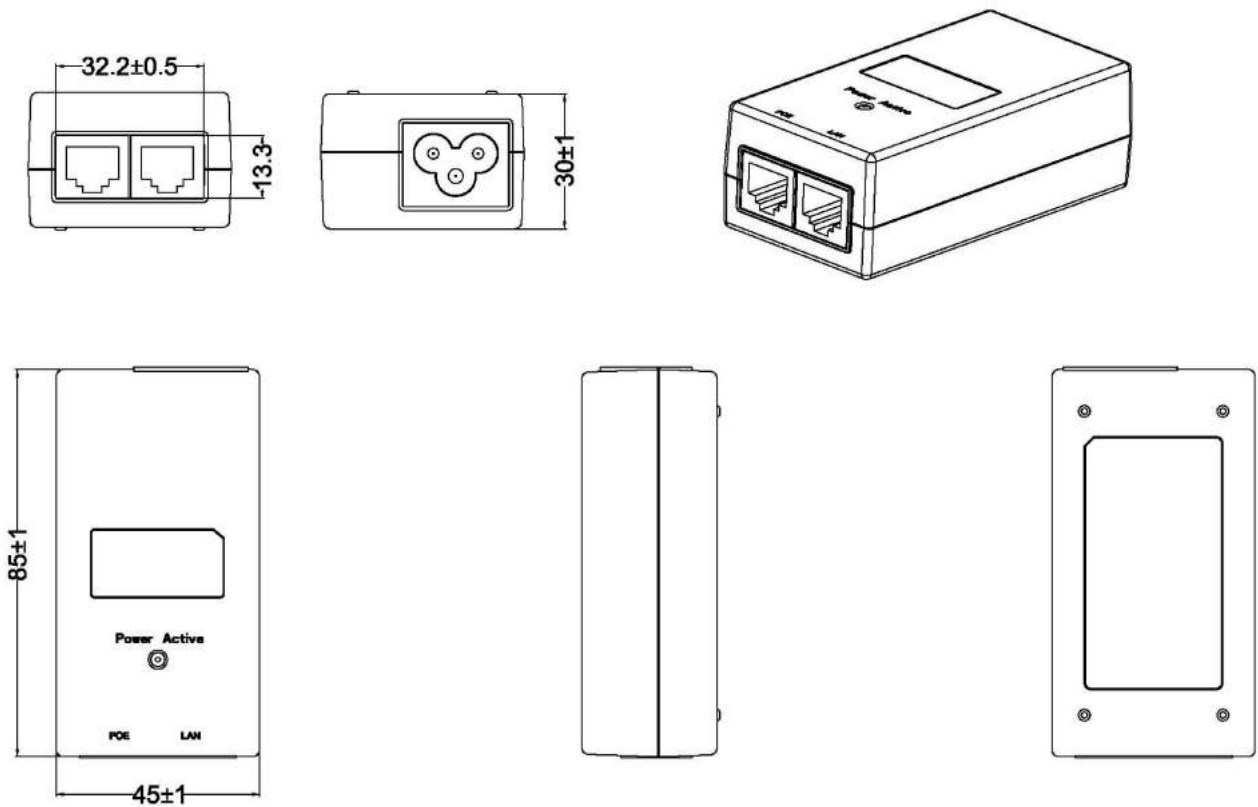
CE | FC | TUV/GS | cULud

CE	EMC 2014/30/EU	
	LVD 2014/35/EU EN 60950-1:2006+A11+A1+A12+A2	
WEIGHT / 1pc	N.W.: 0,092kg / pc G.W.: 0,105kg / pc	N.W.: 0,135kg / pc G.W.: 0,148kg / pc
PACKING / Box	0.410(L) x 0.280(W) x 0.240(H) [m]	
	96 pcs / 1box	
	G.W.: 11kg/box	G.W.: 15.2kg/box

Mechanical case specification of PoE-1215-M3 :



Mechanical case specification of PoE-2424-M3 :



Country of Origin : China
 Operating Temperature : 0~40 [°C]
 Dimension : 93 x 50 x 33 [mm]
 Efficiency level (ErP) :

VI



Approvals / Marks :



Specifications

Model	Voltage DC [V]	Loading [A]	Max. Power [W]	Ripple / Noise [mV] p-p	Connector [mm]
SYS1001-0505-T2	5	0~1.0	5	150	2.1x5.5x11
SYS1001-0608-T2	7.5	0~0.8	6	150	2.1x5.5x11
SYS1001-0609-T2	9	0~0.66	6	150	2.1x5.5x11
SYS1001-0612-T2	12	0~0.5	6	150	2.1x5.5x11
SYS1001-0615-T2	15	0~0.4	6	200	2.1x5.5x11
SYS1001-0618-T2	18	0~0.33	6	200	2.1x5.5x11
SYS1001-0624-T2	24	0~0.25	6	240	2.1x5.5x11

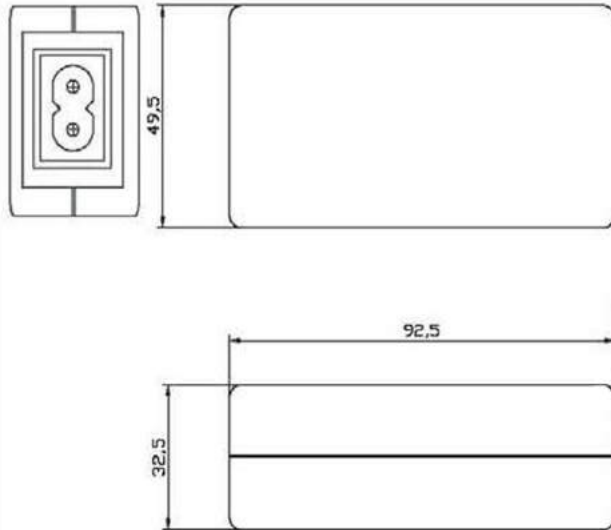
Features:

Available in inlet version: C7 (T2)
 Output connector: standard: 2.1 x 5.5 x 11mm or customer requirement | Regulated Output With Low Ripple Noise | Safety Agency Requirements and EMI/EMS Certified
 Private Label Marking Available | Modified and Custom Design Available | 2 Years Warranty

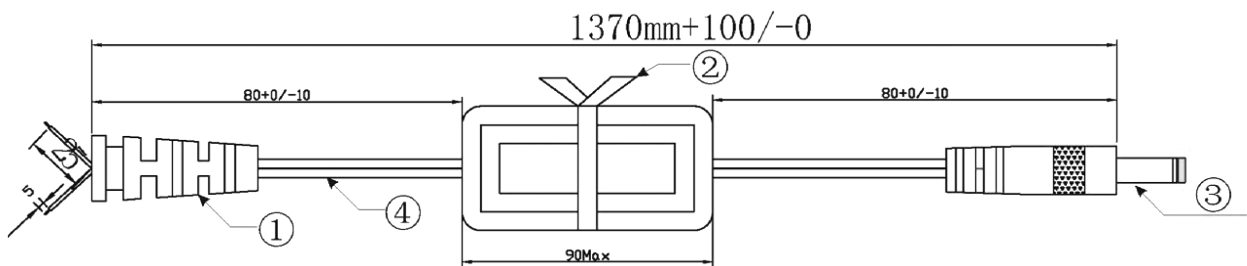
OUTPUT	
Turn delay	3000ms max@AC low line input@output full load
Hold up time	8ms min@AC nominal input@output full load
Efficiency (Normal)	>72%@115v/60HZ,230V/50HZ input & Full load
Transient response (dv,tmax)	0.4V dv max At AC nominal input loading from 20%load to 80% load 16ms tmax Dynamic rise time 10 us max,duty 40ms max,Dynamic load step is slew rate of 0.5A/us
Power out.Limit	6W
Burn in limit	Full load 2 Hours
Power consumption	0.1W max. At AC nominal input@output min load
INPUT	
Voltage	(90~264)VAC
Frequency	(47~63)hz
Current	0.5A rms@AC low line input and DC output full load
Inrush Surge Current (cold start)	30/40A max@power supply cold start,ambient temperature 25°C @115Vac/230Vac nominal AC input
leakage current	0.25mA Max
PROTECTION	
Over current/ Short protection	The power supply will be auto recovered when over current or short circuit faults remove (fold back). Is defined as any output impedance of less than 0.1Ω. The power supply will be auto recovered when short circuit faults remove
Over Voltage	The power supply will not be auto recovered when faults remove 110%-150%. (Voltage limit)
Input protection	F1:1A 250V Fuse The power supply shall be protected against power line surges and any abnormal condition
No Load protection	The power supply is provided with no load operation to prevent the power supply and system from damage.
Protection class	II

CE	
EMC	2014/30/EU
LVD	2014/35/EU EN 60950-1:2006+A11+A12+A2
SAFETY	
cUL FCC GS CE CB RCM EAC BSMI PSE VCCI	
OTHERS	
Dielectric Strength (Hi-pot)	I/P-O/P:3000VAC
M.T.B.F	500,000 Calculated Hours at 25°C, by Telcordia SR-332
Cable Length	1370mm (4.5 feet) standard cable or as required
PLD (power line disturbance)	Line power surge Line voltage SAG-more info on request
Cooling method	Natural Convection Cooling
Housing material	PC + ABS
Temperature coefficient:	< ±0.5% / °C
ENVIRONMENT	
Temperature	Operating: 0~40°C / Storage: -20~85°C
Humidity	Operating: 8%-90%RH / Storage: 5%-95% RH non condensing
WEIGHT	
NW:	98g/pc
GW:	115g/pc
PACKING	
Box	100 pcs/1 box

Mechanical case specification:



Cable specification:



Country of Origin : China
 Operating Temperature : 0~40 [°C]
 Dimension : 93 x 50 x 33 [mm]
 Efficiency level (ErP) :

VI



Approvals / Marks :



Specifications

Model	Voltage DC [V]	Loading [A]	Max. Power [W]	Ripple / Noise [mV] p-p	Connector [mm]
SYS1001-0505-T3	5	0~1.0	5	150	2.1x5.5x11
SYS1001-0608-T3	7.5	0~0.8	6	150	2.1x5.5x11
SYS1001-0609-T3	9	0~0.66	6	150	2.1x5.5x11
SYS1001-0612-T3	12	0~0.5	6	150	2.1x5.5x11
SYS1001-0615-T3	15	0~0.4	6	200	2.1x5.5x11
SYS1001-0618-T3	18	0~0.33	6	200	2.1x5.5x11
SYS1001-0624-T3	24	0~0.25	6	240	2.1x5.5x11

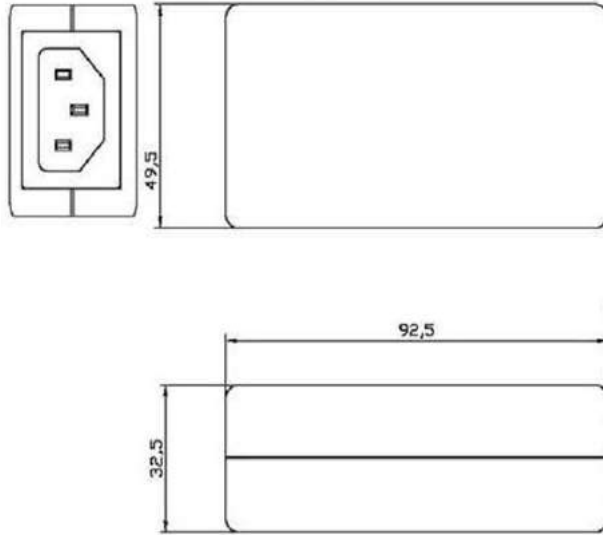
Features:

Available in inlet version: C13 (T3)
 Output connector: standard: 2.1 x 5.5 x 11mm or customer requirement | Regulated Output With Low Ripple Noise | Safety Agency Requirements and EM/EMS Certified
 Private Label Marking Available | Modified and Custom Design Available | 2 Years Warranty

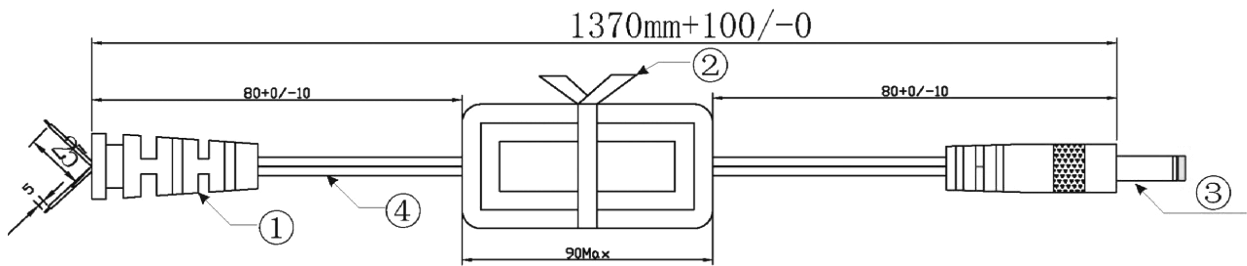
OUTPUT	
Turn delay	3000ms max@AC low line input@output full load
Hold up time	8ms min@AC nominal input@output full load
Efficiency (Normal)	>72%@115v/60HZ,230V/50HZ input & Full load
Transient response (dv,tmax)	0.4V dv max At AC nominal input loading from 20%load to 80% load
	16ms tmax Dynamic rise time 10 us max,duty 40ms max,Dynamic load step is slew rate of 0.5A/us
Power out.Limit	6W
Burn in limit	Full load 2 Hours
Power consumption	0.1W max. At AC nominal input@output min load
INPUT	
Voltage	(90~264)VAC
Frequency	(47~63)hz
Current	0.5A rms@AC low line input and DC output full load
Inrush Surge Current (cold start)	30/40A max@power supply cold start,ambient temperature 25°C @115Vac/230Vac nominal AC input
leakage current	3.5mA Max
PROTECTION	
Over current/ Short protection	The power supply will be auto recovered when over current or short circuit faults remove (fold back). Is defined as any output impedance of less than 0.1Ω.The power supply will be auto recovered when short circuit faults remove
Over Voltage	The power supply will not be auto recovered when faults remove 110%-150%. (Voltage limit)
Input protection	F1:1A 250V Fuse The power supply shall be protected against power line surges and any abnormal condition
No Load protection	The power supply is provided with no load operation to prevent the power supply and system from damage.
Protection class	I

CE	
EMC	2014/30/EU
LVD	2014/35/EU EN 60950-1:2006+A11+A1+A12+A2
SAFETY	
cUL FCC GS CE CB RCM EAC BSMI PSE VCCI	
OTHERS	
Dielectric Strength (Hi-pot)	I/P-O/P:3000VAC
M.T.B.F	500,000 Calculated Hours at 25°C, by Telcordia SR-332
Cable Length	1370mm (4.5 feet) standard cable or as required
PLD (power line disturbance)	Line power surge Line voltage SAG-more info on request
Cooling method	Natural Convection Cooling
Housing material	PC + ABS
Temperature coefficient:	< ±0.5% / °C
ENVIRONMENT	
Temperature	Operating: 0~40°C / Storage: -20~85°C
Humidity	Operating: 8%~90%RH / Storage: 5%~95% RH non condensing
WEIGHT	
NW:	98g/pc
GW:	115g/pc
PACKING	
Box	100 pcs/1 box

Mechanical case specification:



Cable specification:



Country of Origin : China
 Operating Temperature : 0~40 [°C]
 Dimension : 93 x 50 x 33 [mm]
 Efficiency level (ErP) :

VI



Approvals / Marks :



Specifications

Model	Voltage DC [V]	Loading [A]	Max. Power [W]	Ripple / Noise [mV] p-p	Connector [mm]
SYS1001-0703-T2	3,3	0~2.2	7.26	120	2.1x5.5x11
SYS1001-1105-T2	5	0~2.1	10	120	2.1x5.5x11
SYS1001-1108-T2	7,5	0~1.6	11	120	2.1x5.5x11
SYS1001-0909-T2	9	0~1.33	9	120	2.1x5.5x11
SYS1001-1212-T2	12	0~1.0	12	200	2.1x5.5x11
SYS1001-1215-T2	15	0~0.8	12	200	2.1x5.5x11
SYS1001-1218-T2	18	0~0.66	12	240	2.1x5.5x11
SYS1001-1224-T2	24	0~0.5	12	240	2.1x5.5x11

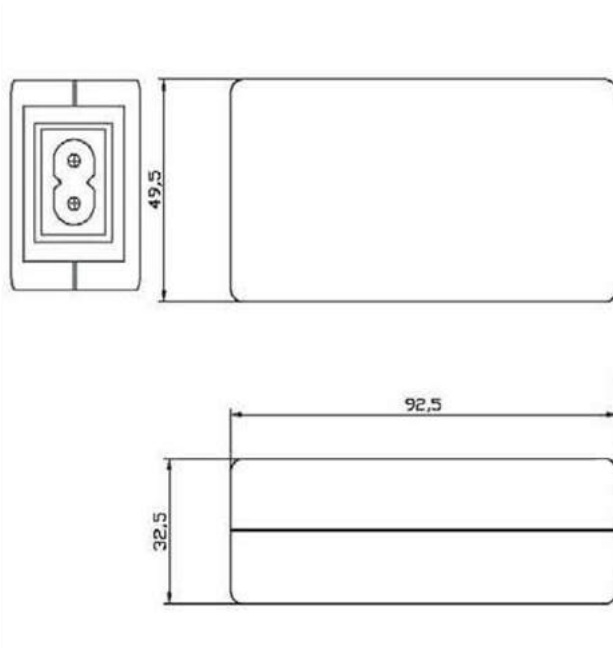
Features:

Available in inlet version: C7 (T2)
 Output connector: standard: 2.1 x 5.5 x 11mm or customer requirement | Regulated Output With Low Ripple Noise | Safety Agency Requirements and EMI/EMS Certified
 Private Label Marking Available | Modified and Custom Design Available | 2 Years Warranty

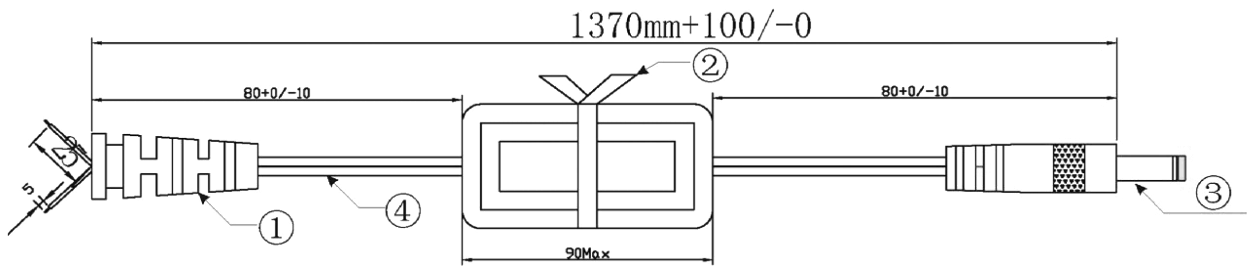
OUTPUT	
Turn delay	3000ms max@AC low line input@output full load
Hold up time	8ms min@AC nominal input@output full load
Efficiency (Normal)	>80%@115v/60HZ,230V/50HZ input & Full load
Transient response (dv,tmax)	0.4V dv max At AC nominal input loading from 20%load to 80% load 16ms tmax Dynamic rise time 10 us max,duty 40ms max,Dynamic load step is slew rate of 0.5A/us
Power out.Limit	12W
Burn in limit	Full load 2 Hours
Power consumption	0.1W max. At AC nominal input@output min load
INPUT	
Voltage	(90~264)VAC
Frequency	(47~63)hz
Current	0.5A rms@AC low line input and DC output full load
Inrush Surge Current (cold start)	30/40A max@power supply cold start,ambient temperature 25°C @115Vac/230Vac nominal AC input
leakage current	0.25mA Max
PROTECTION	
Over current/ Short protection	The power supply will be auto recovered when over current or short circuit faults remove (fold back). Is defined as any output impedance of less than 0.1Ω.The power supply will be auto recovered when short circuit faults remove
Over Voltage	The power supply will not be auto recovered when faults remove 110%-150%. (Voltage limit)
Input protection	F1:1A 250V Fuse The power supply shall be protected against power line surges and any abnormal condition
No Load protection	The power supply is provided with no load operation to prevent the power supply and system from damage.
Protection class	II

CE	
EMC	2014/30/EU
LVD	2014/35/EU EN 60950-1:2006+A11+A1+A12+A2
SAFETY	
cUL FCC GS CE CB RCM EAC BSMI PSE VCCI	
OTHERS	
Dielectric Strength (Hi-pot)	I/P-O/P:3000VAC
M.T.B.F	500,000 Calculated Hours at 25°C, by Telcordia SR-332
Cable Length	1370mm (4.5 feet) standard cable or as required
PLD (power line disturbance)	Line power surge Line voltage SAG-more info on request
Cooling method	Natural Convection Cooling
Housing material	PC + ABS
Temperature coefficient:	< ±0.5% / °C
ENVIRONMENT	
Temperature	Operating: 0~40°C / Storage: -20~85°C
Humidity	Operating: 8%-90%RH / Storage: 5%-95% RH non condensing
WEIGHT	
NW:	98g/pc
GW:	115g/pc
PACKING	
Box	100 pcs/1 box

Mechanical case specification:



Cable specification:



Country of Origin : China
 Operating Temperature : 0~40 [°C]
 Dimension : 93 x 50 x 33 [mm]
 Efficiency level (ErP) :

VI



Approvals / Marks :



Specifications

Model	Voltage DC [V]	Loading [A]	Max. Power [W]	Ripple / Noise [mV] p-p	Connector [mm]
SYS1001-0703-T3	3,3	0~2.2	7.26	120	2.1x5.5x11
SYS1001-1105-T3	5	0~2.1	10	120	2.1x5.5x11
SYS1001-1108-T3	7.5	0~1.6	11	120	2.1x5.5x11
SYS1001-0909-T3	9	0~1.33	9	120	2.1x5.5x11
SYS1001-1212-T3	12	0~1.0	12	200	2.1x5.5x11
SYS1001-1215-T3	15	0~0.8	12	200	2.1x5.5x11
SYS1001-1218-T3	18	0~0.66	12	240	2.1x5.5x11
SYS1001-1224-T3	24	0~0.5	12	240	2.1x5.5x11

Features:

Available in inlet version: C13 (T3)
 Output connector: standard: 2.1 x 5.5 x 11mm or customer requirement | Regulated Output With Low Ripple Noise | Safety Agency Requirements and EMI/EMS Certified
 Private Label Marking Available | Modified and Custom Design Available | 2 Years Warranty

OUTPUT

Turn delay	3000ms max@AC low line input@output full load
Hold up time	8ms min@AC nominal input@output full load
Efficiency (Normal)	>80%@115v/60HZ,230V/50HZ input & Full load
Transient response (dv,tmax)	0.4V dv max At AC nominal input loading from 20%load to 80% load
	16ms tmax Dynamic rise time 10 us max,duty 40ms max,Dynamic load step is slew rate of 0.5A/us
Power out.Limit	12W
Burn in limit	Full load 2 Hours
Power consumption	0.1W max. At AC nominal input@output min load

INPUT

Voltage	(90~264)VAC
Frequency	(47~63)hz
Current	0.5A rms@AC low line input and DC output full load
Inrush Surge Current (cold start)	30/40A max@power supply cold start,ambient temperature 25°C @115Vac/230Vac nominal AC input
leakage current	3.5mA Max

PROTECTION

Over current/ Short protection	The power supply will be auto recovered when over current or short circuit faults remove (fold back). Is defined as any output impedance of less than 0.1Ω.The power supply will be auto recovered when short circuit faults remove
Over Voltage	The power supply will not be auto recovered when faults remove 110%-150%. (Voltage limit)
Input protection	F1:1A 250V Fuse The power supply shall be protected against power line surges and any abnormal condition
No Load protection	The power supply is provided with no load operation to prevent the power supply and system from damage.
Protection class	I

CE

EMC	2014/30/EU
LVD	2014/35/EU EN 60950-1:2006+A11+A1+A12+A2

SAFETY

cUL | FCC | GS | CE | CB | RCM | EAC | BSMI | PSE | VCCI

OTHERS

Dielectric Strength (Hi-pot)	I/P-O/P:3000VAC
M.T.B.F	500,000 Calculated Hours at 25°C, by Telcordia SR-332
Cable Length	1370mm (4.5 feet) standard cable or as required
PLD (power line disturbance)	Line power surge Line voltage SAG-more info on request
Cooling method	Natural Convection Cooling
Housing material	PC + ABS
Temperature coefficient:	< ±0.5% / °C

ENVIRONMENT

Temperature	Operating: 0~40°C / Storage: -20~85°C
Humidity	Operating: 8%~90%RH / Storage: 5%~95% RH non condensing

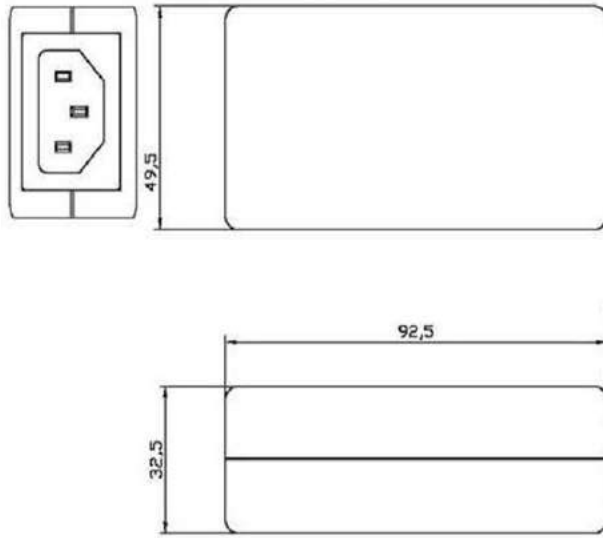
WEIGHT

NW:	98g/pc
GW:	115g/pc

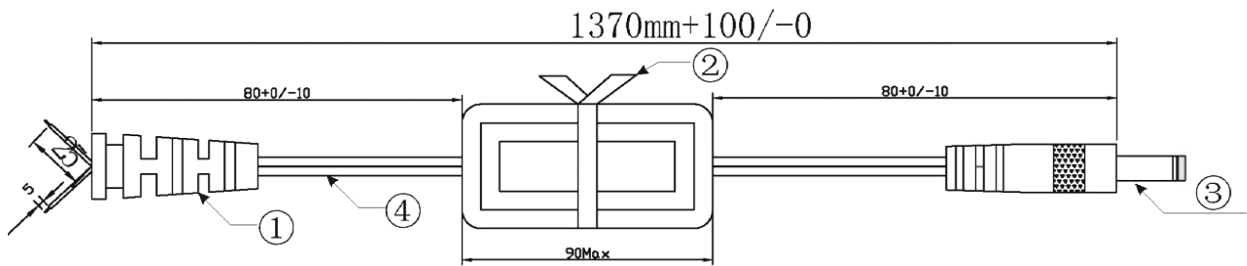
PACKING

Box	100 pcs/1 box
-----	---------------

Mechanical case specification:



Cable specification:



Country of Origin : China
 Operating Temperature : 0~40 [°C]
 Dimension : 87 x 47 x 33 [mm]
 Efficiency level (ErP) : VI





Approvals / Marks :



Specifications

Model	Voltage DC [V]	Loading [A]	Max. Power [W]	Ripple / Noise [mV] p-p	Connector [mm]
SYS1544-1505-T2	5	0~3.0	15	180	2.1x5.5x11
SYS1544-1809-T2	9	0~2.0	18	180	2.1x5.5x11
SYS1544-2412-T2	12	0~2.0	24	180	2.1x5.5x11
SYS1544-2415-T2	15	0~1.6	24	200	2.1x5.5x11
SYS1544-2418-T2	18	0~1.33	24	240	2.1x5.5x11
SYS1544-2424-T2	24	0~1.0	24	300	2.1x5.5x11

Features:

Available in 2 inlet versions: C7 (T2)  C13(T3) 
 Output connector: standard: 2.1 x 5.5 x 11mm or customer requirement | Regulated Output With Low Ripple Noise | Safety Agency Requirements and EMI/EMS Certified
 Private Label Marking Available | Modified and Custom Design Available | 2 Years Warranty

OUTPUT

Turn delay	5000ms max@AC low line input@output full load
Hold up time	5ms min@AC nominal input@output full load (>half cycle)
Efficiency (Normal)	Meet CEC,DOE,ERP,MEPS Level VI @115v/60HZ,230V/50HZ
Transient response (dv,tmax)	0.4V dv max At AC nominal input loading from 20%load to 80%load 16ms tmax Dynamic rise time 10us max,duty 40ms max,Dynamic load step is slew rate of 0.5A/us
Power out.Limit	Peak 28w
Burn in limit	Full load 2 Hours
Power consumption	Less than 0.075W ms max. At AC nominal input@output min load

INPUT

Voltage	(90~264)VAC
Frequency	(47~63)hz
Current	1A rms@AC low line input and DC output full load
Inrush Surge Current (cold start)	40/60A max@power supply cold start,ambient temperature 25°C @115Vac/230Vac nominal AC input
leakage current	0.25mA Max

PROTECTION

Over current/ Short protection	The power supply will self-protect any output to ground & auto recovery when abnormal circuit faults remove. An output short circuit is defined as any output impedance less than 0.1 ohms.
Over Voltage	The power supply will be auto recovered when faults remove
Input protection	F1:1A 250V Fuse The power supply shall be protected against power line surges and any abnormal condition
No Load protection	The power supply is provided with no load operation to prevent the power supply and system from damage.
Protection class	II, (ITU-T K.21 Surge 6KV on request)

CE

EMC	2014/30/EU
LVD	2014/35/EU EN 60950-1:2006+A11+A1+A12+A2

SAFETY

UL | GS | CB | CE | FCC | BSMI | PSE

OTHERS

Dielectric Strength(Hi-pot)	Primary to Secondary:3000VAC 10mA/60S
M.T.B.F	500,000 Calculated Hours at 25°C, by Telcordia SR-332
Cable Length	1500mm (5 feet) standard cable or as required
PLD (power line disturbance)	Line power surge Line voltage SAG-more info on request
Cooling method	Natural Convection Cooling
Housing material	PC
Temperature coefficient:	< ±0.5% / °C

ENVIRONMENT

Temperature	Operating: 0~40°C / Storage: -20~85°C
Humidity	Operating: 8%~90%RH / Storage: 5%~95% RH non condensing

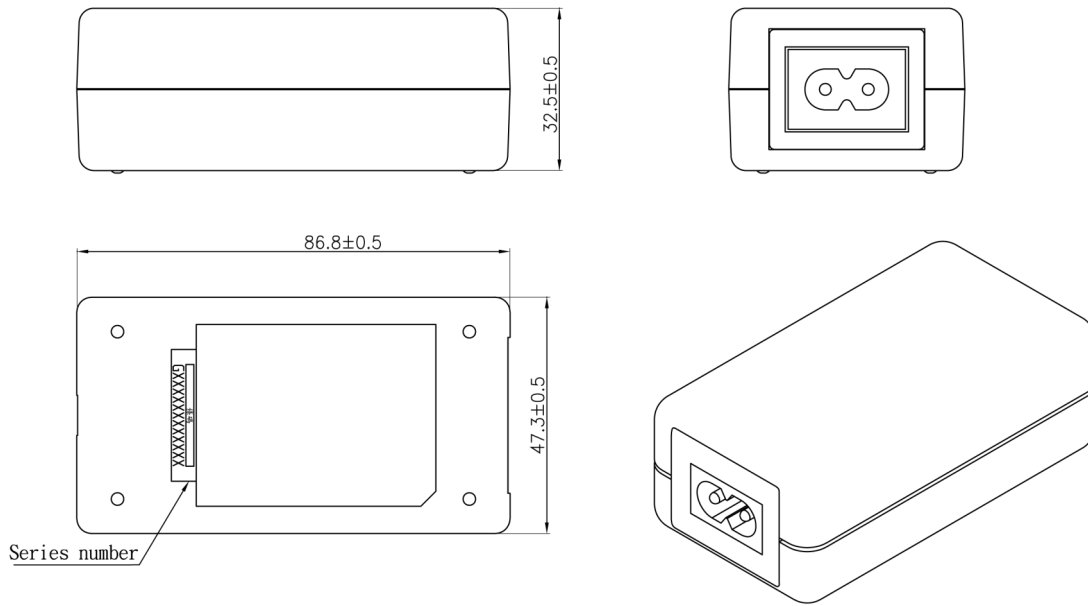
WEIGHT

NW: 180g/pc
 GW: 11.5kg/box

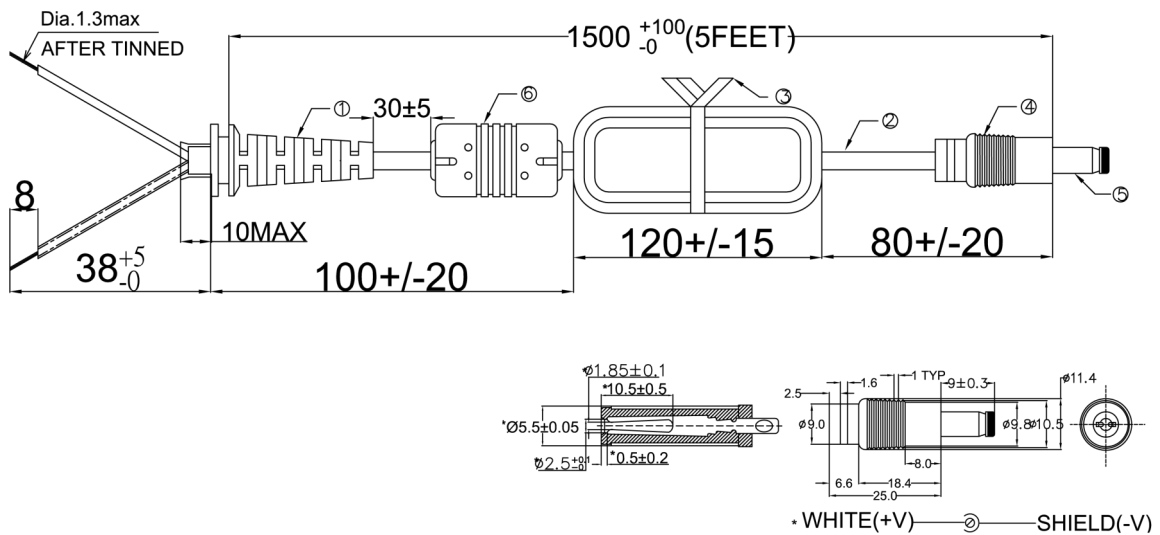
PACKING

PE plastic bag 60 pcs/1 box

Mechanical case specification:



Cable specification:



Country of Origin : China
 Operating Temperature : 0~40 [°C]
 Dimension : 87 x 47 x 33 [mm]
 Efficiency level (ErP) : VI





Approvals / Marks :



Specifications

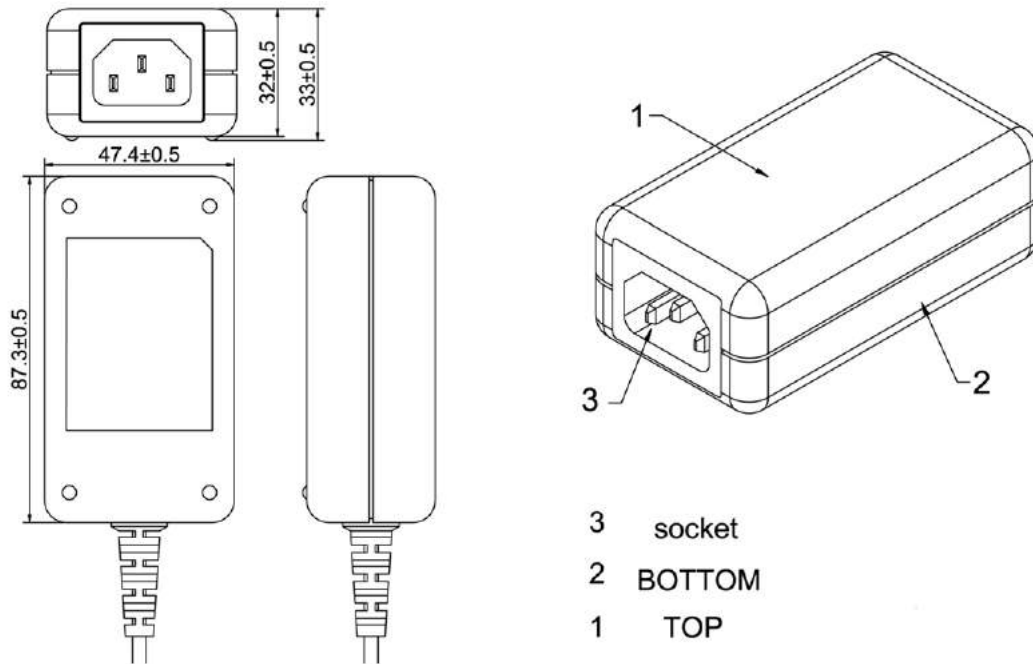
Model	Voltage DC [V]	Loading [A]	Max. Power [W]	Ripple / Noise [mV] p-p	Connector [mm]
SYS1544-1505-T3	5	0~3.0	15	180	2.1x5.5x11
SYS1544-1809-T3	9	0~2.0	18	180	2.1x5.5x11
SYS1544-2412-T3	12	0~2.0	24	180	2.1x5.5x11
SYS1544-2415-T3	15	0~1.6	24	200	2.1x5.5x11
SYS1544-2418-T3	18	0~1.33	24	240	2.1x5.5x11
SYS1544-2424-T3	24	0~1.0	24	300	2.1x5.5x11

Features:

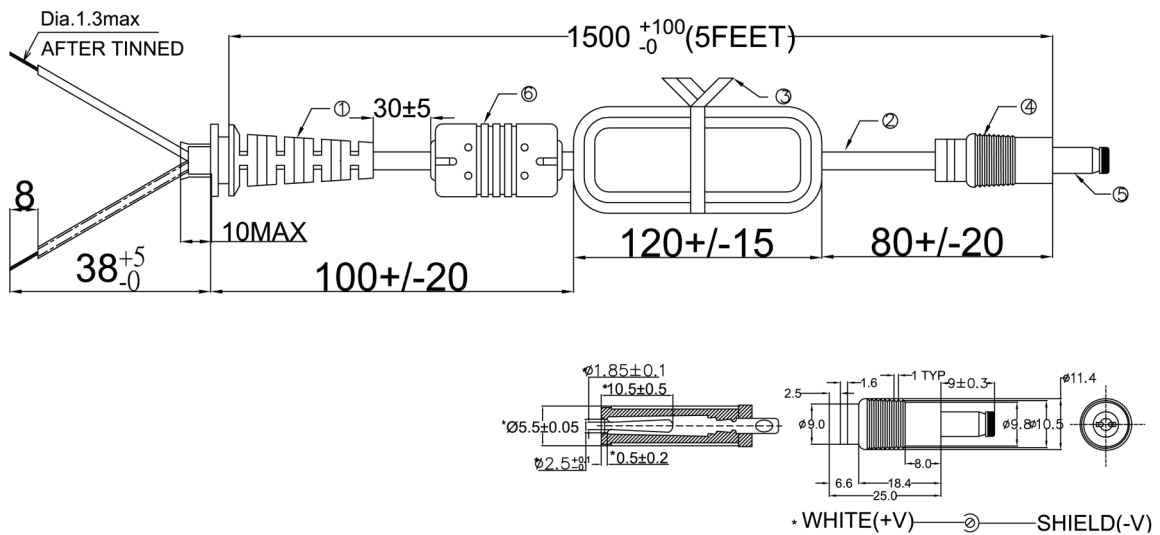
Available in 2 inlet versions: C7 (T2)  C13(T3) 
 Output connector: standard: 2.1 x 5.5 x 11mm or customer requirement | Regulated Output With Low Ripple Noise | Safety Agency Requirements and EM/EMS Certified
 Private Label Marking Available | Modified and Custom Design Available | 2 Years Warranty


OUTPUT		CE	
Turn delay	5000ms max@AC low line input@output full load	EMC	2014/30/EU
Hold up time	5ms min@AC nominal input@output full load (>half cycle)	LVD	2014/35/EU EN 60950-1:2006+A11+A1+A12+A2
Efficiency (Normal)	Meet CEC,DOE,ERP,MEPS Level VI @115v/60HZ,230V/50HZ	SAFETY	
Transient response (dv,tmax)	0.4V dv max At AC nominal input loading from 20%load to 80%load	UL GS CB CE FCC CCC BSMI PSE EK-Mark (2412) SAA RCM NOM (2412) EAC BIS (2412/1812/1512/1212) S-MARK	
	16ms tmax Dynamic rise time 10us max,duty 40ms max,Dynamic load step is slew rate of 0.5A/us	OTHERS	
Power out.Limit	Peak 28w	Dielectric Strength (Hi-pot)	Primary to Secondary:3000VAC 10mA/60S
Burn in limit	Full load 2 Hours	M.T.B.F	500,000 Calculated Hours at 25°C, by Telcordia SR-332
Power consumption	Less than 0.075W ms max. At AC nominal input@output min load	Cable Length	1500mm (15 feet) standard cable or as required
INPUT		PLD (power line disturbance)	Line power surge Line voltage SAG-more info on request
Voltage	(90~264)VAC	Cooling method	Natural Convection Cooling
Frequency	(47~63)hz	Housing material	PC
Current	1A rms@AC low line input and DC output full load	Temperature coefficient:	< ±0.5% / °C
Inrush Surge Current (cold start)	40/60A max@power supply cold start,ambient temperature 25°C @ 115vac/230Vac nominal AC input	ENVIRONMENT	
leakage current	0.25mA Max	Temperature	Operating: 0~40°C / Storage: -20~85°C
PROTECTION		Humidity	Operating: 8%~90%RH / Storage: 5%~95% RH non condensing
Over current/ Short protection	The power supply will self-protect any output to ground & auto recovery when abnormal circuit faults remove. An output short circuit is defined as any output impedance less than 0.1 ohms.	WEIGHT	
Over Voltage	The power supply will be auto recovered when faults remove	NW:	180g/pc
Input protection	F1:1A 250V Fuse The power supply shall be protected against power line surges and any abnormal condition	GW:	11.5kg/box
No Load protection	The power supply is provided with no load operation to prevent the power supply and system from damage.	PACKING	
Protection class	I, (ITU-T K.21 Surge 6KV on request)	PE plastic bag	60 pcs/1 box

Mechanical case specification:



Cable specification:



Country of Origin : China
 Operating Temperature : 0~40 [°C]
 Dimension : 86.8 x 47.3 x 32.3 [mm]
 Suitable AC cable: IEC320-C8
 Efficiency level (ErP) : 
 Approvals / Marks :



Certified also for:

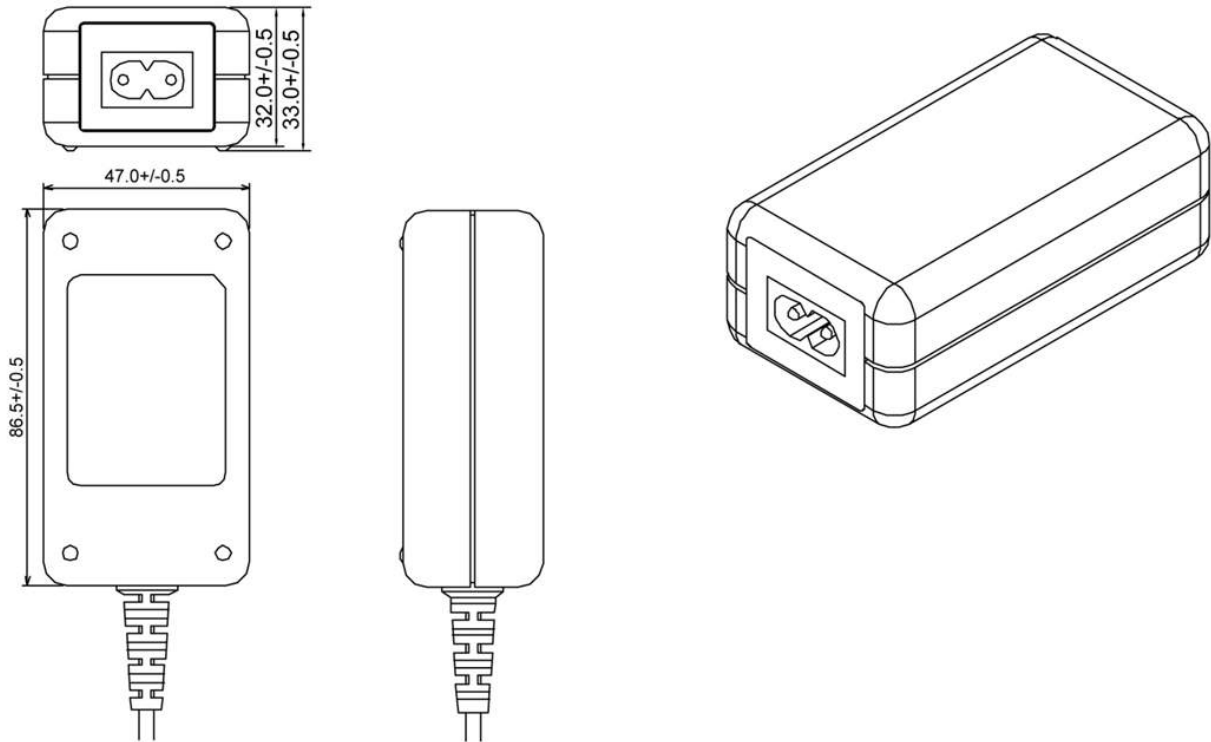
Features:

Wide range Input (90 ~ 264)VAC / (47 ~ 63) Hz.	Over load, over voltage & short protection.
Designed and certified also for IEC320-C13 cable & inlet C14 (T3).	Available for A.V. application
For I.T.E. use only + RoHS conform.	

Specification:

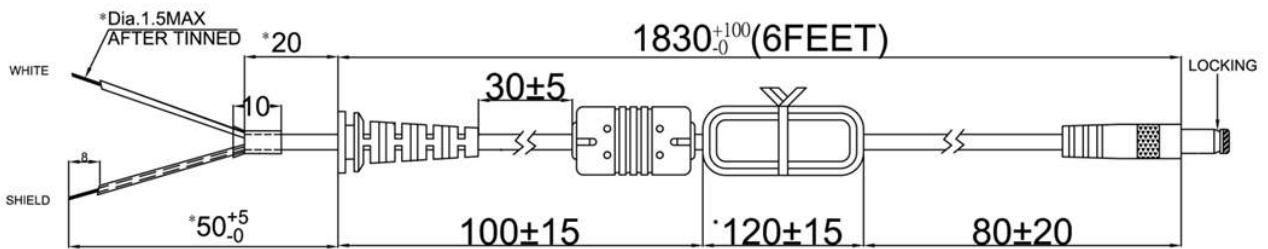
	Model	Voltage DC [V]	Loading [A]	Tol. [%]	OCP [A]	OVP max [V]	Efficiency [%]	Max. Power [W]	Ripple & Noise [mV]p-p	Connector UL approved [mm]
ErP V.	SYS1319-3012-T2	12	0~2.50	±5	3~8	16	>83.5	30	120	2.1x5.5x11
	SYS1319-3015-T2	15	0~2.00	±5	2.5~6.5	25	>80.6	30	150	2.1x5.5x11
	SYS1319-3018-T2	18	0~1.66	±5	2.0~5.5	25	>87.0	30	180	2.1x5.5x11
	SYS1319-3024-T2	24	0~1.25	±5	1.5~5.5	25	>84.0	30	240	2.1x5.5x11
OEM Production	This model is certified for Uout=(5,6,9,12,15,16,18,19,20,24)V and Pout=(5~30)W is rising in steps of 1W									
INPUT	Voltage	(90 ~ 264) VAC								
	Frequency	(47 ~ 63) Hz								
	Current	1A rms@ AC low line input and DC output full load								
	Surge Current max.	40/60Amax. @ power supply cold start, ambient temperature 25°C @115Vac/230Vac nominal AC input.								
	Leakage current	0.25mA Max.								
PROTECTION	Over load	OCP	> 120% Fold back							
	Over Voltage	OVP	> 105% Voltage limiting							
	Short Circuit	Yes, Output to Ground, Auto recovery when fault has been removed. Short Current & Over Current can not exceed 8A max. after 1minute at nominal line input.								
	Protection class	II.								
	No Load Operation	Yes, to protect the power supply and system from damage								
OTHERS	Dielectric Strength	I/P-O/P (FG): 3KVAC / 10mA / 1 min								
	Power ON Led	Yes								
	Turn on delay	5000 ms max. @ AC low line input @ output full load								
	Hold-up Time	10ms @ AC nominal Input and Output full load								
	MTBF Qualification	500,000 Calculated Hours at 25°C, by Telcordia SR-332								
	DC cable & connector	Standard length of the cable 1,8m & It depends on customer requirements and upon specifications								
	Efficiency (typical)	>73.5% @ 240VAC input & Full load More info in upon table.								
	Power Consumption	Max. 0.3Wrms @ AC nominal Input and Output min. load some models have achieved efficiency level IV.								
	Input Fuse	250VAC / 1.6A protected against power line surges and any abnormal conditions								
	ENVIRONMENT	Temperature	Operating: (0 ~ 40)°C / Storage: (-20 ~ 85)°C							
Humidity		Operating: (8 ~ 90)% RH / Storage: (5 ~ 95)% RH non condensing								
SAFETY	CE TUV/GS CB cULus C-TICK SAA PSE BSMI KC T-License S-Mark CCC									
CE	EMC	2014/30/EU								
	LVD	2014/35/EU EN 60950-1:2006+A11+A1+A12+A2								
WEIGHT	1pc	N.W.: 200g / pc								
		0.48 x 0.26 x 0.44 [m]								
PACKING	Box	60 pcs / 1box								
		G.W.: 15kg / box								


Mechanical case specification:



Cable specification:

1185#18*1C + shield / 6FT (1830mm)



Country of Origin : China
 Operating Temperature : 0~40 [°C]
 Dimension : 86.8 x 47.3 x 32.3 [mm]
 Suitable AC cable: IEC320-C13
 Efficiency level (ErP) : 
 Approvals / Marks :



Certified also for: A. V. application

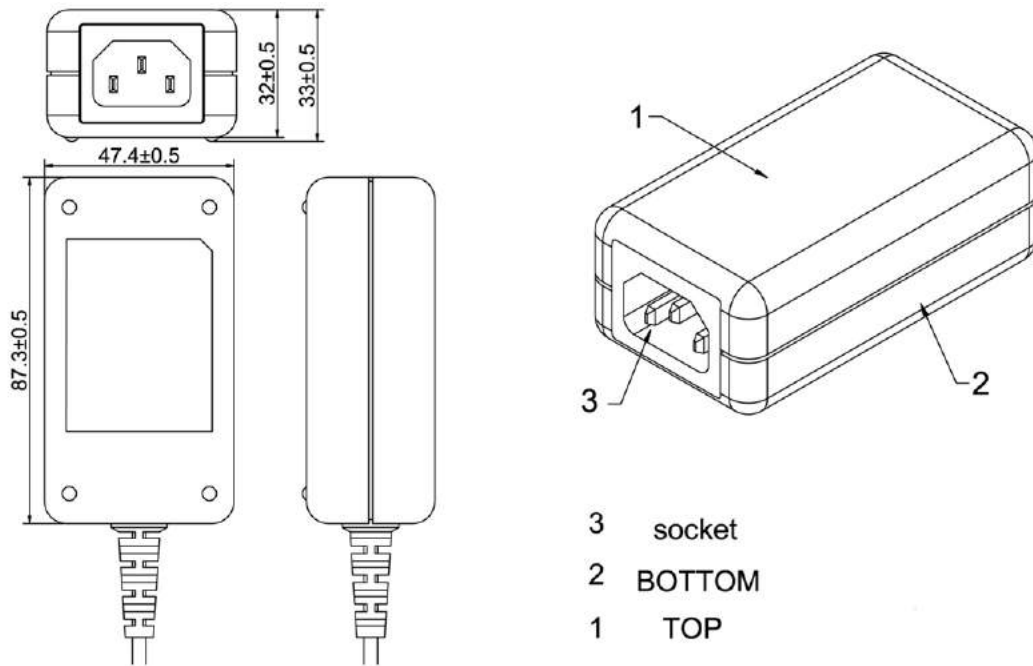
Features:

Wide range Input (90 ~ 264)VAC / (47 ~ 63) Hz.	For I.T.E. use only + RoHS conform.
Over load, over voltage & short protection.	Designed and certified also for cable IEC320-C7 & inlet C8 (T2).
Output connector: standard: 2.1 x 5.5 x 11mm or customer requirement.	

Specification:

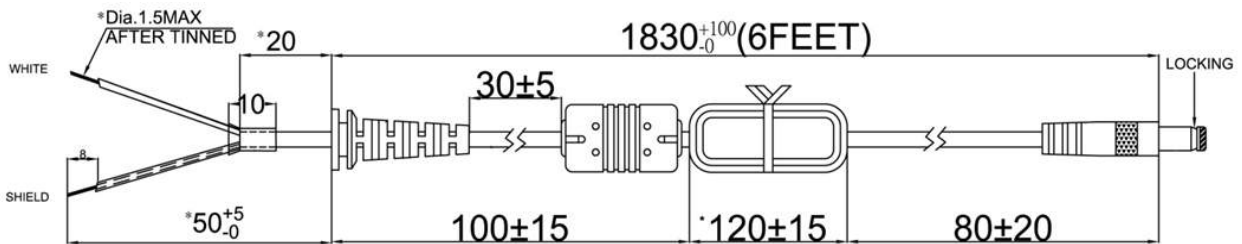
	Model	Voltage DC [V]	Loading [A]	Tol. [%]	OCP [A]	OVP Max [V]	Efficiency [%]	Max. Power [W]	Ripple & Noise [mV]p-p	Connector UL approved [mm]
ErP V.	SYS1319-3012-T3	12	0~2.50	±5	3.0~8.0	16	>83.5	30	120	2.1x5.5x11
	SYS1319-3015-T3	15	0~2.00	±5	2.5~6.5	25	>80.6	30	150	2.1x5.5x11
	SYS1319-3018-T3	18	0~1.66	±5	2.0~5.5	25	>87.0	30	180	2.1x5.5x11
	SYS1319-3024-T3	24	0~1.25	±5	1.5~5.5	25	>84.0	30	240	2.1x5.5x11
OEM Production	This model is certified for Uout=(5,6,9,12,15,16,18,19,20,24)V and Pout=(5~30)W is rising in steps of 1W									
INPUT	Voltage	(90 ~ 264) VAC								
	Frequency	(47 ~ 63) Hz								
	Current	1A rms@ AC low line input and DC output full load								
	Surge Current max.	40/60Amax. @ power supply cold start, ambient temperature 25°C @115Vac/230Vac nominal AC input.								
	Leakage current	3.5mA Max.								
PROTECTION	Over load	OCP	> 120% Fold back							
	Over Voltage	OVP	> 105% Voltage limiting							
	Short Circuit	Yes, Output to Ground, Auto recovery when fault has been removed. Short Current & Over Current can not exceed 8A max. after 1minute at nominal line input.								
	Protection class	I.								
	No Load Operation	Yes, to protect the power supply and system from damage								
OTHERS	Dielectric Strength	I/P-O/P (FG): 3KVAC / 10mA / 1 min								
	Power ON Led	Yes								
	Turn on delay	5000ms max. @ AC low line input @ output full load								
	Hold-up Time	10ms @ AC nominal Input and Output full load								
	MTBF Qualification	500,000 Calculated Hours at 25°C, by Telcordia SR-332								
	DC cable & connector	Standard length of the cable 1,8m & It depends on customer requirements and upon specifications								
	Efficiency (typical)	>83.5% @ 240VAC input & Full load								
	Power Consumption	Max. 0.3Wrms @ AC nominal Input and Output min. load some models have achieved efficiency level IV.								
ENVIRONMENT	Input Fuse	250VAC / 1.6A protected against power line surges and any abnormal conditions								
	Temperature	Operating: (0 ~ 40)°C / Storage: (-20 ~ 85)°C								
	Humidity	Operating: (8 ~ 90)% RH / Storage: (5 ~ 95)% RH non condensing								
SAFETY CE TUV/GS CB cULus C-TICK SAA PSE BSMI KC IT-License CCC										
CE	EMC	2014/30/EU								
	LVD	2014/35/EU EN 60950-1:2006+A11+A1+A12+A2								
WEIGHT	1pc	N.W.: 200g / pc 0.48 x 0.26 x 0.44 [m]								
PACKING	Box	60 pcs / 1box								
		G.W.: 15kg / box								

Mechanical case specification:



Cable specification:

1185#18*1C + shield / 6FT (1830mm)



Country of Origin : China
 Operating Temperature : 0~40 [°C]
 Dimension : 92 x 50 x 32 [mm]
 Efficiency level (ErP) : VI



Approvals / Marks :



Specifications

Model	Voltage DC [V]	Loading [A]	Max. Power [W]	Ripple / Noise [mV] p-p	Connector [mm]
SYS1588-2005-T2	5	0~4	20	120	2.1x5.5x11
SYS1588-2709-T2	9	0~3	27	120	2.1x5.5x11
SYS1588-3012-T2	12	0~2.5	30	200	2.1x5.5x11
SYS1588-3015-T2	15	0~2.0	30	200	2.1x5.5x11
SYS1588-3018-T2	18	0~1.66	30	240	2.1x5.5x11
SYS1588-3024-T2	24	0~1.25	30	240	2.1x5.5x11
SYS1588-3048-T2	48	0~0.63	30	400	2.1x5.5x11

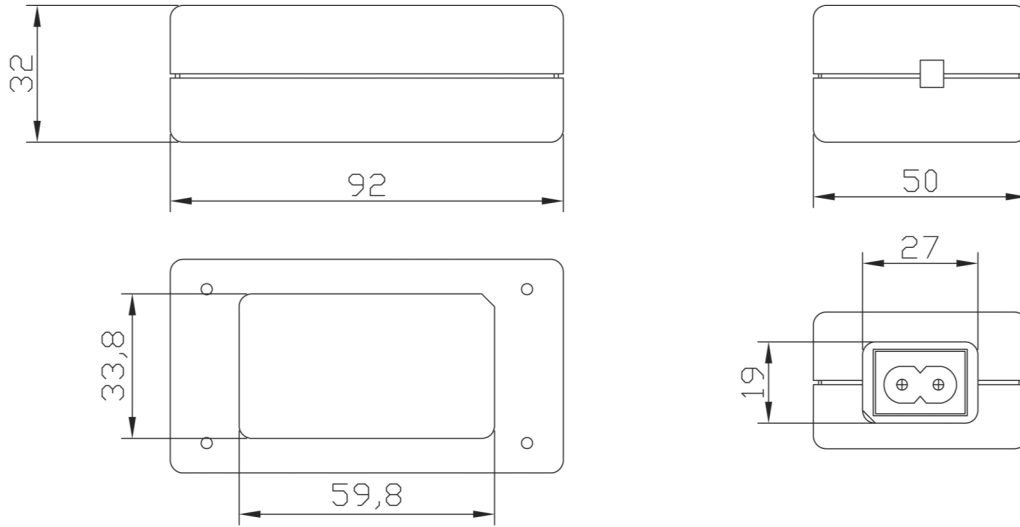
Features:

Available in inlet version: C7 (T2)
 Output connector: standard: 2.1 x 5.5 x 11mm or customer requirement | Regulated Output With Low Ripple Noise | Safety Agency Requirements and EM/EMS Certified
 Private Label Marking Available | Modified and Custom Design Available | 2 Years Warranty

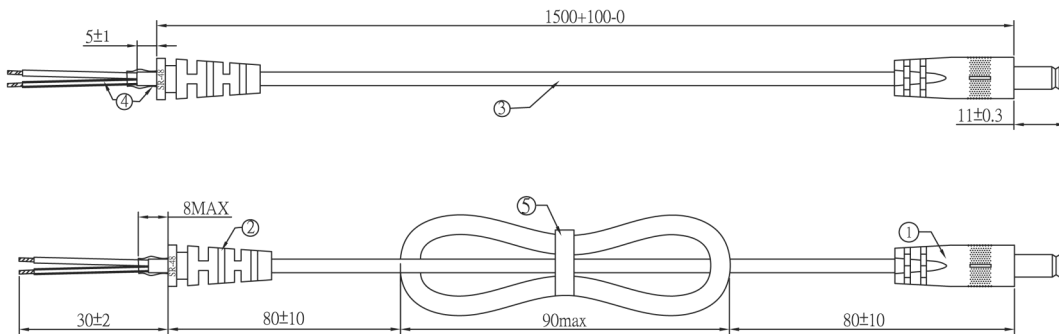
OUTPUT	
Turn delay	5000ms max@AC low line input@output full load
Hold up time	8ms min@AC nominal input@output full load
Efficiency (Normal)	>85%@115v/60HZ,230V/50HZ input & Full load
Transient response (dv,tmax)	0.4V dv max At AC nominal input loading from 20%load to 80% load 16ms tmax Dynamic rise time 10 us max,duty 40ms max,Dynamic load step is slew rate of 0.5A/us
Power out.Limit	30W
Burn in limit	Full load 2 Hours
Power consumption	0.1W max. At AC nominal input@output min load
INPUT	
Voltage	(90~264)VAC
Frequency	(47~63)hz
Current	0.5A rms@AC low line input and DC output full load
Inrush Surge Current (cold start)	40/60A max@power supply cold start,ambient temperature 25°C @115Vac/230Vac nominal AC input
leakage current	0.25mA Max
PROTECTION	
Over current/ Short protection	The power supply will be auto recovered when over current or short circuit faults remove (fold back). Is defined as any output impedance of less than 0.1Ω. The power supply will be auto recovered when short circuit faults remove
Over Voltage	The power supply will not be auto recovered when faults remove 110%-150%. (Voltage limit)
Input protection	F1:2A 250V Fuse The power supply shall be protected against power line surges and any abnormal condition
No Load protection	The power supply is provided with no load operation to prevent the power supply and system from damage.
Protection class	II, (ITU-T K.21 Surge 6KV on request)

CE	
EMC	2014/30/EU
LVD	2014/35/EU EN 60950-1:2006+A11+A1+A12+A2
SAFETY	
CE GS cTUVus FCC RCM PSE EAC CB	
OTHERS	
Dielectric Strength (Hi-pot)	I/P-O/P:3000VAC
M.T.B.F	500,000 Calculated Hours at 25°C, by Telcordia SR-332
Cable Length	1370mm (4.5 feet) standard cable or as required
PLD (power line disturbance)	Line power surge Line voltage SAG-more info on request
Cooling method	Natural Convection Cooling
Housing material	PC + ABS
Temperature coefficient:	< ±0.5% / °C
ENVIRONMENT	
Temperature	Operating: 0~40°C / Storage: -20~85°C
Humidity	Operating: 8%~90%RH / Storage: 5%~95% RH non condensing
WEIGHT	
NW:	240g/pc
GW:	255g/pc
PACKING	
Box	50 pcs/1 box

Mechanical case specification:



Cable specification:



Country of Origin : China
 Operating Temperature : 0~40 [°C]
 Dimension : 92 x 50 x 32 [mm]
 Efficiency level (ErP) : VI



Approvals / Marks :



Specifications

Model	Voltage DC [V]	Loading [A]	Max. Power [W]	Ripple / Noise [mV] p-p	Connector [mm]
SYS1588-2005-T3	5	0~4	20	120	2.1x5.5x11
SYS1588-2709-T3	9	0~3	27	120	2.1x5.5x11
SYS1588-3012-T3	12	0~2.5	30	200	2.1x5.5x11
SYS1588-3015-T3	15	0~2.0	30	200	2.1x5.5x11
SYS1588-3018-T3	18	0~1.66	30	240	2.1x5.5x11
SYS1588-3024-T3	24	0~1.25	30	240	2.1x5.5x11
SYS1588-3048-T3	48	0~0.63	30	400	2.1x5.5x11

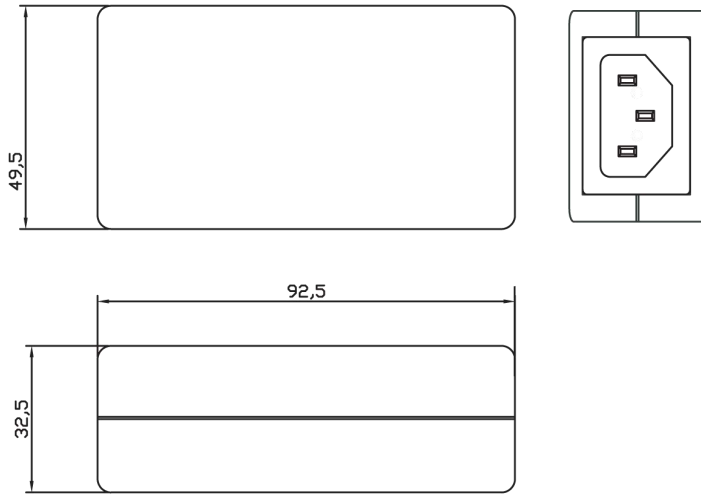
Features:

Available in inlet version: C13 (T3)
 Output connector: standard: 2.1 x 5.5 x 11mm or customer requirement | Regulated Output With Low Ripple Noise | Safety Agency Requirements and EM/EMS Certified
 Private Label Marking Available | Modified and Custom Design Available | 2 Years Warranty

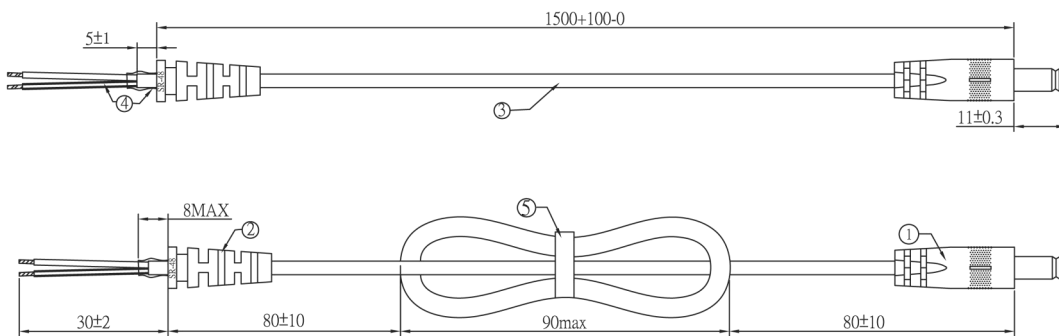
OUTPUT	
Turn delay	5000ms max@AC low line input@output full load
Hold up time	8ms min@AC nominal input@output full load
Efficiency (Normal)	>85%@115v/60HZ,230V/50HZ input & Full load
Transient response (dv,tmax)	0.4V dv max At AC nominal input loading from 20%load to 80% load 16ms tmax Dynamic rise time 10 us max,duty 40ms max,Dynamic load step is slew rate of 0.5A/us
Power out.Limit	30W
Burn in limit	Full load 2 Hours
Power consumption	0.1W max. At AC nominal input@output min load
INPUT	
Voltage	(90~264)VAC
Frequency	(47~63)hz
Current	0.5A rms@AC low line input and DC output full load
Inrush Surge Current (cold start)	40/60A max@power supply cold start,ambient temperature 25°C @115Vac/230Vac nominal AC input
leakage current	3.5mA Max
PROTECTION	
Over current/ Short protection	The power supply will be auto recovered when over current or short circuit faults remove (fold back). Is defined as any output impedance of less than 0.1Ω.The power supply will be auto recovered when short circuit faults remove
Over Voltage	The power supply will not be auto recovered when faults remove 110%-150%. (Voltage limit)
Input protection	F1:2A 250V Fuse The power supply shall be protected against power line surges and any abnormal condition
No Load protection	The power supply is provided with no load operation to prevent the power supply and system from damage.
Protection class	I, (ITU-T K.21 Surge 6KV on request)

CE	
EMC	2014/30/EU
LVD	2014/35/EU EN 60950-1:2006+A11+A1+A12+A2
SAFETY	
CE GS cTUVus FCC RCM PSE EAC CB	
OTHERS	
Dielectric Strength (Hi-pot)	I/P-O/P:3000VAC
M.T.B.F	500,000 Calculated Hours at 25°C, by Telcordia SR-332
Cable Length	1370mm (4.5 feet) standard cable or as required
PLD (power line disturbance)	Line power surge Line voltage SAG-more info on request
Cooling method	Natural Convection Cooling
Housing material	PC + ABS
Temperature coefficient:	< ±0.5% / °C
ENVIRONMENT	
Temperature	Operating: 0~40°C / Storage: -20~85°C
Humidity	Operating: 8%~90%RH / Storage: 5%~95% RH non condensing
WEIGHT	
NW:	240g/pc
GW:	255g/pc
PACKING	
Box	50 pcs/1 box

Mechanical case specification:



Cable specification:



Country of Origin : China
 Operating Temperature : 0~40 [°C]
 Dimension : 92.5 x 49.5 x 32.5 [mm]
 Efficiency level (ErP) :
 Approvals / Marks :



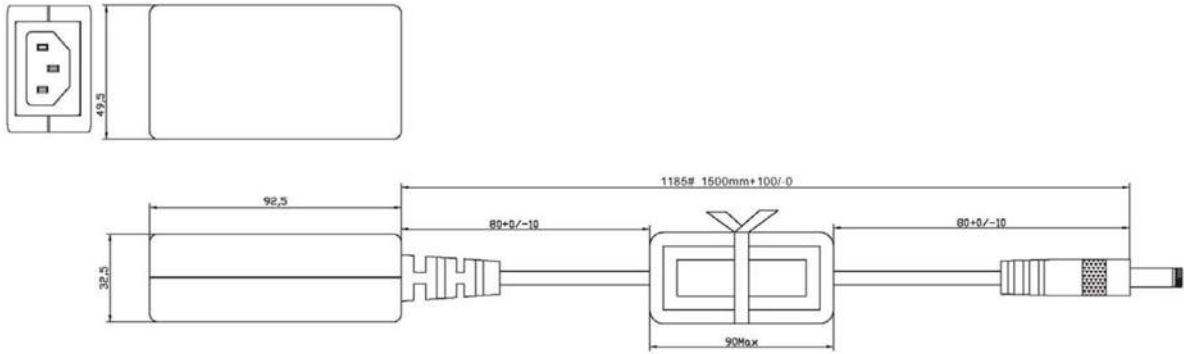
Features:

Wide range Input (90 ~ 264)VAC / (47 ~ 63) Hz.	Over load, over voltage & short protection.
Designed and certified also for IEC320-C7 cable & inlet C8 (T2).	National deviations and group differences consider for:
For I.T.E. use only + RoHS conform.	AU, CA, DE, DK, FI, FR, GB, IT, JP, KR, NL, NO, PL, SE, SI, US

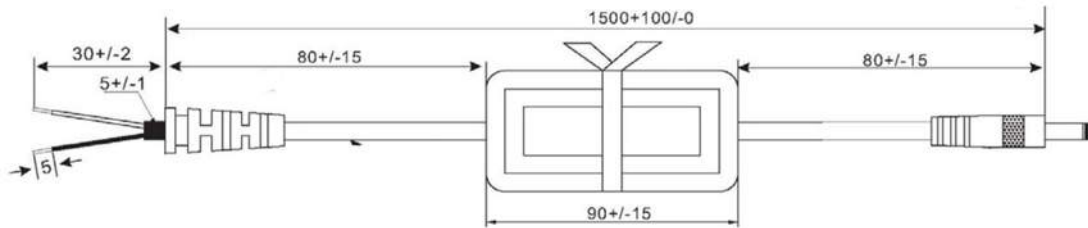
Specification:

	Model	Voltage DC [V]	Loading [A]	Tolerance [V]	OCP [A]	OVP max [V]	Efficiency [%]	Max. Power [W]	Ripple & Noise [mV]p-p	Connector [mm] UL approved
ErP V.	SYS1002-2406-T3	6	0.05~4	5.7~6.3	4.2~8.5	6.6~10.2	≥79.8	24	120	2.1x5.5x11
OEM Production	This model has been designed and certified for					Uout=(4.2~7.5)V / max Pout=24W or Iout=4A Uout=(7.6~10.5)V / max Pout=27W or Iout=3A Uout=(10.6~16.0)V / max Pout=30W or Iout=2.5A Uout=(16.1~24.0)V / max Pout=30W or Iout=1.8A				
INPUT	Voltage	(90 ~ 264) VAC								
	Frequency	(47 ~ 63) Hz								
	Current	1,2A rms@ 100V AC and DC output full load								
	Surge Current max.	40/60Amax. @ power supply cold start, ambient temperature 25°C @115Vac/230Vac nominal AC input.								
	Leakage current	3.5mA Max.								
PROTECTION	Over Load	OCP	The power supply shall be self-recovering when the fault condition is removed.							
	Over Voltage	OVP	The power supply shall be self-recovering when the fault condition is removed.							
	Short Circuit	Automatic recovery								
	Protection class	I.								
OTHERS	Dielectric Strength	I/P-O/P (FG): 1.5KVAC / 10mA / 1 min								
	Turn on delay	5000 ms max. @ AC low line input @ output full load								
	Hold-up Time	10ms @ AC nominal Input and Output full load (1 half cycle)								
	MTBF Qualification	500,000 Calculated Hours at 25°C, by Telcordia SR-332								
	DC cable & connector	1185#16AWG*2C/1.5M PVC BLACK 80°C & 5.5*2.1*11mm/180° or depends on request								
	Efficiency (typical)	The efficiency shall be higher than ≥78.4% typical while measuring at nominal line and maximum load. (Meet Eup2)								
	Power Consumption	The input power should less than ≤0.3W with output no load at 115VAC/230VAC input.								
	Burn-in	2h								
ENVIRONMENT	Temperature	Operating: (0 ~ 40)°C / Storage: (-20 ~ 80)°C								
	Humidity	Operating: (10 ~ 90)% RH / Storage: (20 ~ 90)% RH non condensing								
SAFETY CE TUV/GS CB cULus C-TICK FCC										
EMC	EMI	FCC part 15 CLASS B , EN55022,CLASS B								
	EMS	EMS IEC 60950-1 :2005(2nd Edition) EN 60950-1 :2006 EN 60590-1/A11 :2009								
WEIGHT	1pc	N.W.: 167g / pc G.W.: 205g / pc								
		0.42 x 0.27 x 0.31 [m]								
PACKING	Box	60 pcs / 1box								
		G.W.: 11.5kg / box								

Mechanical case specification:



Cable specification:



Country of Origin : China
 Operating Temperature : 0~40 [°C]
 Dimension : 99 x 50 x 33 [mm]
 Efficiency level (ErP) : VI





Approvals / Marks :



Specifications

Model	Voltage DC [V]	Loading [A]	Max. Power [W]	Ripple / Noise [mV] p-p	Connector [mm]
SYS1546-3612-T2	12	0~3.0	36	180	2.1x5.5x11
SYS1546-3615-T2	15	0~2.40	36	200	2.1x5.5x11
SYS1546-3618-T2	18	0~2.0	36	240	2.1x5.5x11
SYS1546-3619-T2	19	0~1.89	36	240	2.1x5.5x11
SYS1546-3624-T2	24	0~1.5	36	300	2.1x5.5x11

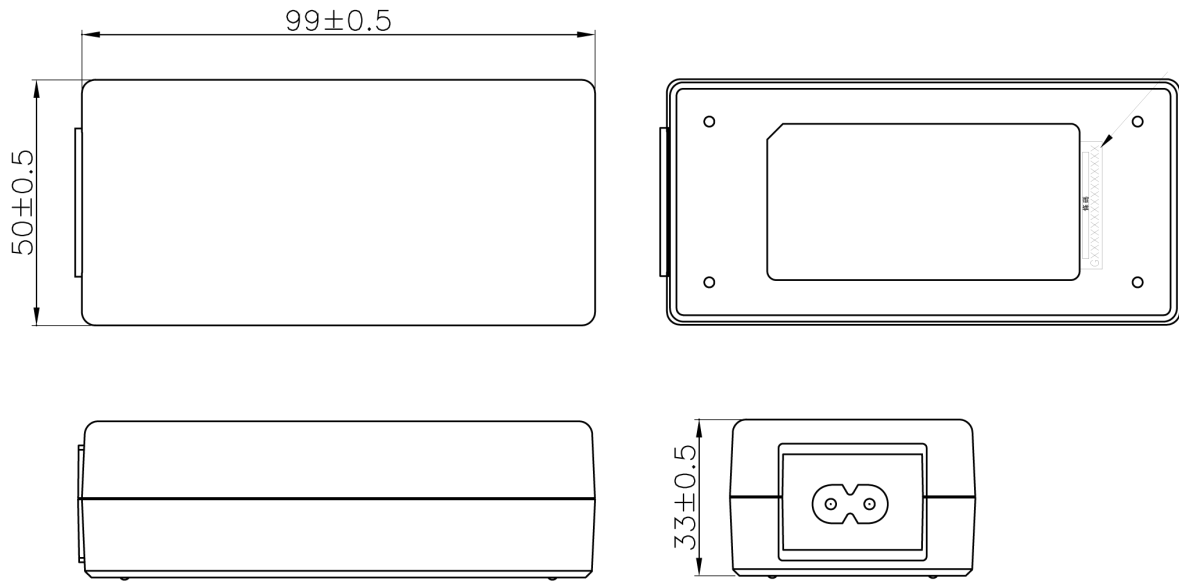
Features:

Available in 2 inlet versions: C7 (T2)  C13(T3) 
 Output connector: standard: 2.1 x 5.5 x 11mm or customer requirement | Regulated Output With Low Ripple Noise | Safety Agency Requirements and EMI/EMS Certified
 Private Label Marking Available | Modified and Custom Design Available | 2 Years Warranty

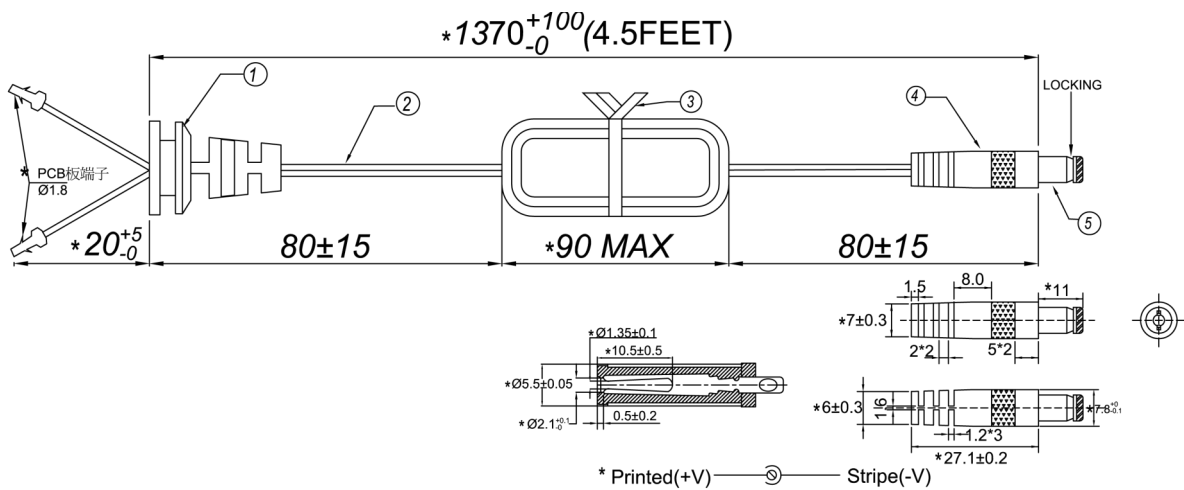
OUTPUT	
Turn delay	5000ms max@AC low line input@output full load
Hold up time	5ms min@AC nominal input@output full load (>half cycle)
Efficiency (Normal)	Meet CEC,DOE,ERP,MEPS Level VI @115v/60HZ,230V/50HZ
Transient response (dv,tmax)	0.4V dv max At AC nominal input loading from 20%load to 80%load 16ms tmax Dynamic rise time 10us max,duty 40ms max,Dynamic load step is slew rate of 0.5A/us
Power out.Limit	Peak 40w
Burn in limit	Full load 2 Hours
Power consumption	Less than 0.075W ms max. At AC nominal input@output min load
INPUT	
Voltage	(90~264)VAC
Frequency	(47~63)hz
Current	1.5A rms@AC low line input and DC output full load
Inrush Surge Current (cold start)	40/60A max@power supply cold start,ambient temperature 25°C @115Vac/230Vac nominal AC input
leakage current	0.25mA Max
PROTECTION	
Over current/ Short protection	The power supply will self-protect any output to ground & auto recovery when abnormal circuit faults remove. An output short circuit is defined as any output impedance less than 0.1 ohms.
Over Voltage	The power supply will be auto recovered when faults remove
Input protection	F1:1A 250V Fuse The power supply shall be protected against power line surges and any abnormal condition
No Load protection	The power supply is provided with no load operation to prevent the power supply and system from damage.
Protection class	II, (ITU-T K.21 Surge 6kV on request)

CE	
EMC	2014/30/EU
LVD	2014/35/EU EN 60950-1:2006+A11+A1+A12+A2
SAFETY	
UL GS CB CE FCC SAA RCM	
OTHERS	
Dielectric Strength (Hi-pot)	Primary to Secondary:3000VAC 10mA/60S
M.T.B.F	500,000 Calculated Hours at 25°C, by Telcordia SR-332
Cable Length	1370mm (4.5 feet) standard cable or as required
PLD (power line disturbance)	Line power surge Line voltage SAG-more info on request
Cooling method	Natural Convection Cooling
Housing material	PC
Temperature coefficient:	< ±0.5% / °C
ENVIRONMENT	
Temperature	Operating: 0~40°C / Storage: -20~85°C
Humidity	Operating: 8%~90%RH / Storage: 5%~95% RH non condensing
WEIGHT	
NW: 166g/pc	
GW: 10.5kg/box	
PACKING	
PE plastic bag	60 pcs/1 box

Mechanical case specification:



Cable specification:



Country of Origin : China
 Operating Temperature : 0~40 [°C]
 Dimension : 99 x 50 x 33 [mm]
 Efficiency level (ErP) : VI





Approvals / Marks :



Specifications

Model	Voltage DC [V]	Loading [A]	Max. Power [W]	Ripple / Noise [mV] p-p	Connector [mm]
SYS1546-3612-T3	12	0~3.00	36	180	2.1x5.5x11
SYS1546-3615-T3	15	0~2.40	36	200	2.1x5.5x11
SYS1546-3618-T3	18	0~2.0	36	240	2.1x5.5x11
SYS1546-3619-T3	19	0~1.89	36	240	2.1x5.5x11
SYS1546-3624-T3	24	0~1.5	36	300	2.1x5.5x11

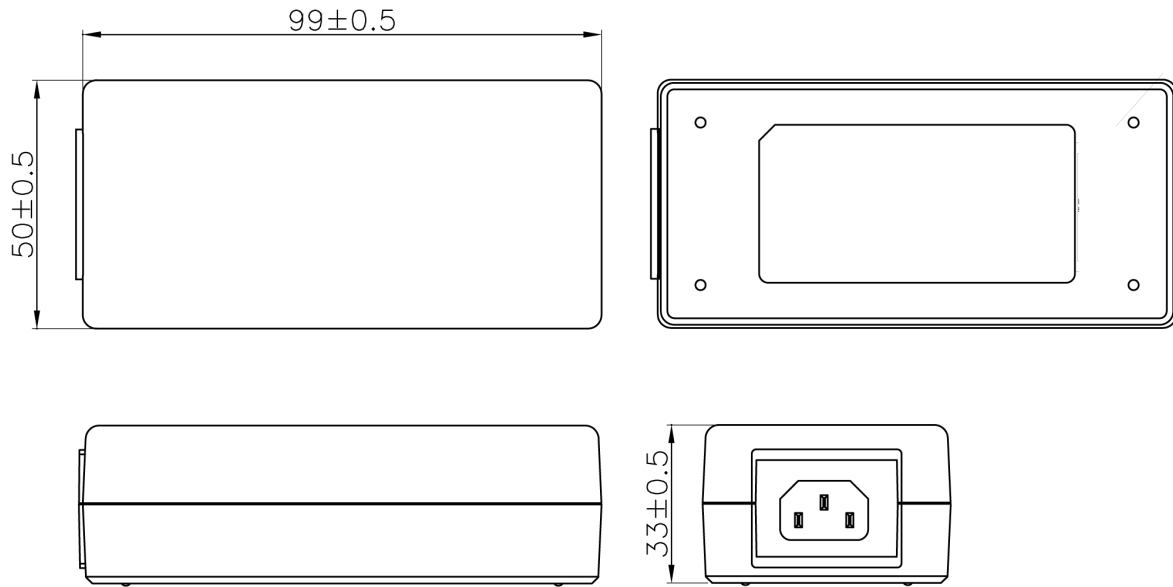
Features:

Available in 2 inlet versions: C7 (T2)  C13(T3) 
 Output connector: standard: 2.1 x 5.5 x 11mm or customer requirement | Regulated Output With Low Ripple Noise | Safety Agency Requirements and EM/EMS Certified
 Private Label Marking Available | Modified and Custom Design Available | 2 Years Warranty

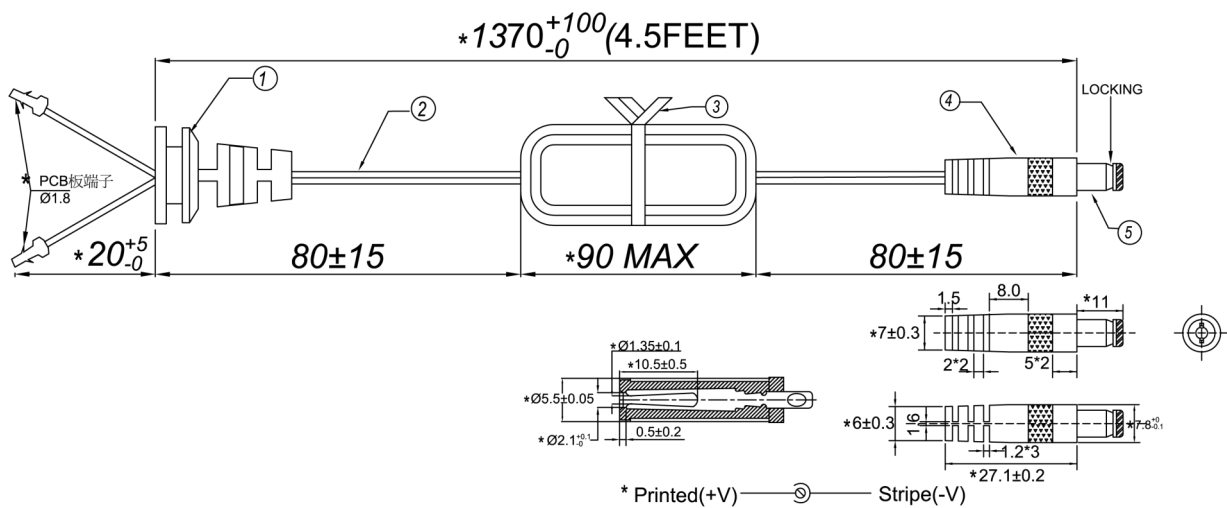
OUTPUT	
Turn delay	5000ms max@AC low line input@output full load
Hold up time	5ms min@AC nominal input@output full load (>half cycle)
Efficiency (Normal)	Meet CEC,DOE,ERP,MEPS Level VI @115v/60HZ,230V/50HZ
Transient response (dv,tmax)	0.4V dv max At AC nominal input loading from 20%load to 80%load 16ms tmax Dynamic rise time 10us max,duty 40ms max,Dynamic load step is slew rate of 0.5A/us
Power out.Limit	Peak 40w
Burn in limit	Full load 2 Hours
Power consumption	Less than 0.075W ms max. At AC nominal input@output min load
INPUT	
Voltage	(90~264)VAC
Frequency	(47~63)hz
Current	1.5A rms@AC low line input and DC output full load
Inrush Surge Current (cold start)	40/60A max@power supply cold start,ambient temperature 25°C @115Vac/230Vac nominal AC input
leakage current	0.25mA Max
PROTECTION	
Over current/ Short protection	The power supply will self-protect any output to ground & auto recovery when abnormal circuit faults remove. An output short circuit is defined as any output impedance less than 0.1 ohms.
Over Voltage	The power supply will be auto recovered when faults remove
Input protection	F1:1A 250V Fuse The power supply shall be protected against power line surges and any abnormal condition
No Load protection	The power supply is provided with no load operation to prevent the power supply and system from damage.
Protection class	I, (ITU-T K.21 Surge 6KV on request)

CE	
EMC	2014/30/EU
LVD	2014/35/EU EN 60950-1:2006+A11+A1+A12+A2
SAFETY	
UL GS CB CE FCC CCC BSMI PSE EK-Mark (only for 3612) SAA RCM NOM (only for 3612) EAC BIS (only for 3612/3615) S-MARK	
OTHERS	
Dielectric Strength (Hi-pot)	Primary to Secondary:3000VAC 10mA/60S
M.T.B.F	500,000 Calculated Hours at 25°C, by Telcordia SR-332
Cable Length	1370mm (4.5 feet) standard cable or as required
PLD (power line disturbance)	Line power surge Line voltage SAG-more info on request
Cooling method	Natural Convection Cooling
Housing material	PC
Temperature coefficient:	< ±0.5% / °C
ENVIRONMENT	
Temperature	Operating: 0~40°C / Storage: -20~85°C
Humidity	Operating: 8%~90%RH / Storage: 5%~95% RH non condensing
WEIGHT	
NW:	166g/pc
GW:	10.5kg/box
PACKING	
PE plastic bag	60 pcs/1 box

Mechanical case specification:



Cable specification:



Country of Origin : China
 Operating Temperature : 0~40 [°C]
 Dimension : 92 x 50 x 32 [mm]
 Efficiency level (ErP) : VI



Approvals / Marks :



Specifications

Model	Voltage DC [V]	Loading [A]	Max. Power [W]	Ripple / Noise [mV] p-p	Connector [mm]
SYS1588-3005-T2	5	0~6	30	120	2.1x5.5x11
SYS1588-3609-T2	9	0~4	36	120	2.1x5.5x11
SYS1588-4012-T2	12	0~3.3	40	200	2.1x5.5x11
SYS1588-4015-T2	15	0~2.6	40	200	2.1x5.5x11
SYS1588-4018-T2	18	0~2.2	40	240	2.1x5.5x11
SYS1588-4024-T2	24	0~1.6	40	240	2.1x5.5x11
SYS1588-4048-T2	48	0~0.8	40	400	2.1x5.5x11

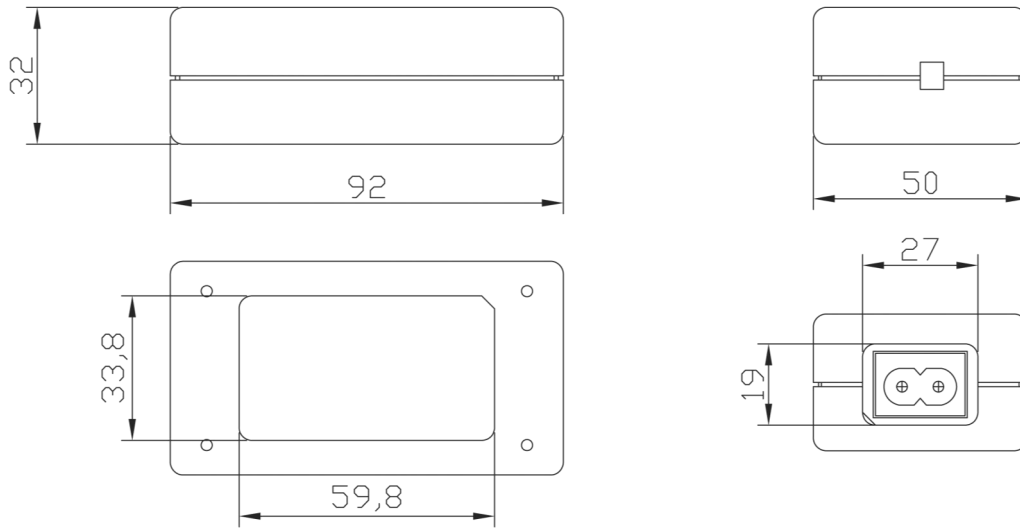
Features:

Available in inlet version: C7 (T2)
 Output connector: standard: 2.1 x 5.5 x 11mm or customer requirement | Regulated Output With Low Ripple Noise | Safety Agency Requirements and EMV/EMS Certified
 Private Label Marking Available | Modified and Custom Design Available | 2 Years Warranty

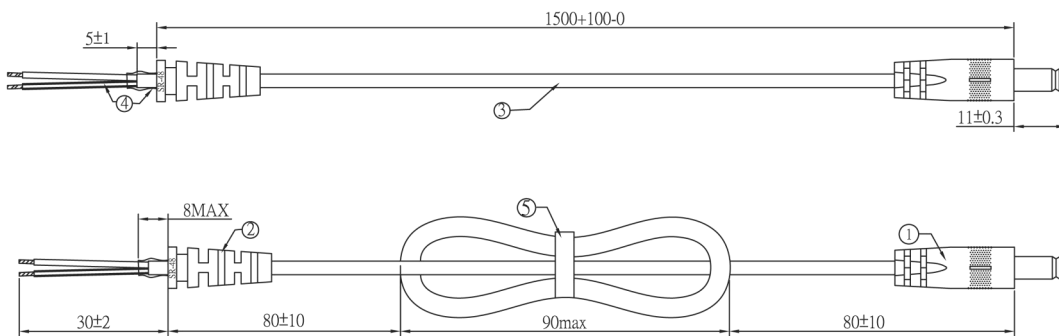
OUTPUT	
Turn delay	5000ms max@AC low line input@output full load
Hold up time	8ms min@AC nominal input@output full load
Efficiency (Normal)	>87%@115v/60HZ,230V/50HZ input & Full load
Transient response (dv,tmax)	0.4V dv max At AC nominal input loading from 20%load to 80% load 16ms tmax Dynamic rise time 10 us max,duty 40ms max,Dynamic load step is slew rate of 0.5A/us
Power out.Limit	40W
Burn in limit	Full load 2 Hours
Power consumption	0.1W max. At AC nominal input@output min load
INPUT	
Voltage	(90~264)VAC
Frequency	(47~63)hz
Current	0.5A rms@AC low line input and DC output full load
Inrush Surge Current (cold start)	40/60A max@power supply cold start,ambient temperature 25°C @115Vac/230Vac nominal AC input
leakage current	0.25mA Max
PROTECTION	
Over current/ Short protection	The power supply will be auto recovered when over current or short circuit faults remove (fold back). Is defined as any output impedance of less than 0.1Ω.The power supply will be auto recovered when short circuit faults remove
Over Voltage	The power supply will not be auto recovered when faults remove 110%-150%. (Voltage limit)
Input protection	F1:2A 250V Fuse The power supply shall be protected against power line surges and any abnormal condition
No Load protection	The power supply is provided with no load operation to prevent the power supply and system from damage.
Protection class	II, (ITU-T K.21 Surge 6KV on request)

CE	
EMC	2014/30/EU
LVD	2014/35/EU EN 60950-1:2006+A11+A12+A2
SAFETY	
CE GS cTUVus FCC RCM PSE EAC CB	
OTHERS	
Dielectric Strength (Hi-pot)	I/P-O/P:3000VAC
M.T.B.F	500,000 Calculated Hours at 25°C, by Telcordia SR-332
Cable Length	1370mm (4.5 feet) standard cable or as required
PLD (power line disturbance)	Line power surge Line voltage SAG-more info on request
Cooling method	Natural Convection Cooling
Housing material	PC + ABS
Temperature coefficient:	< ±0.5% / °C
ENVIRONMENT	
Temperature	Operating: 0~40°C / Storage: -20~85°C
Humidity	Operating: 8%~90%RH / Storage: 5%~95% RH non condensing
WEIGHT	
NW: 240g/pc	
GW:255g/pc	
PACKING	
Box	50 pcs/1 box

Mechanical case specification:



Cable specification:



Country of Origin : China
 Operating Temperature : 0~40 [°C]
 Dimension : 92 x 50 x 32 [mm]
 Efficiency level (ErP) : VI



Approvals / Marks :



Specifications

Model	Voltage DC [V]	Loading [A]	Max. Power [W]	Ripple / Noise [mV] p-p	Connector [mm]
SYS1588-3005-T3	5	0~6	30	120	2.1x5.5x11
SYS1588-3609-T3	9	0~4	36	120	2.1x5.5x11
SYS1588-4012-T3	12	0~3.3	40	200	2.1x5.5x11
SYS1588-4015-T3	15	0~2.6	40	200	2.1x5.5x11
SYS1588-4018-T3	18	0~2.2	40	240	2.1x5.5x11
SYS1588-4024-T3	24	0~1.6	40	240	2.1x5.5x11
SYS1588-4048-T3	48	0~0.8	40	400	2.1x5.5x11

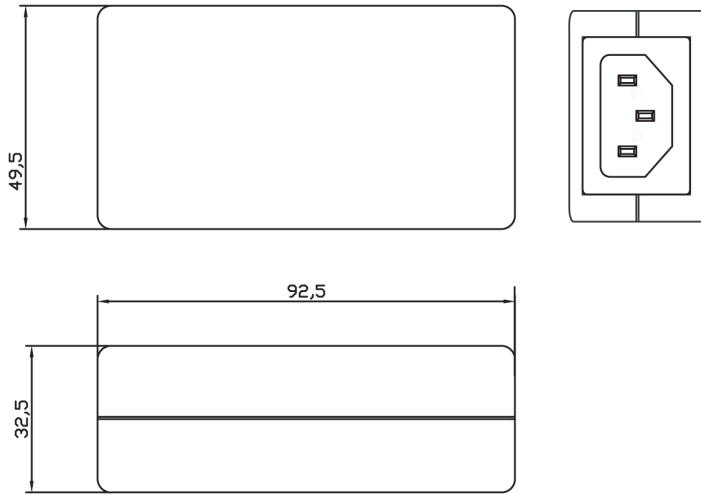
Features:

Available in inlet version: C13 (T3)
 Output connector: standard: 2.1 x 5.5 x 11mm or customer requirement | Regulated Output With Low Ripple Noise | Safety Agency Requirements and EMI/EMS Certified
 Private Label Marking Available | Modified and Custom Design Available | 2 Years Warranty

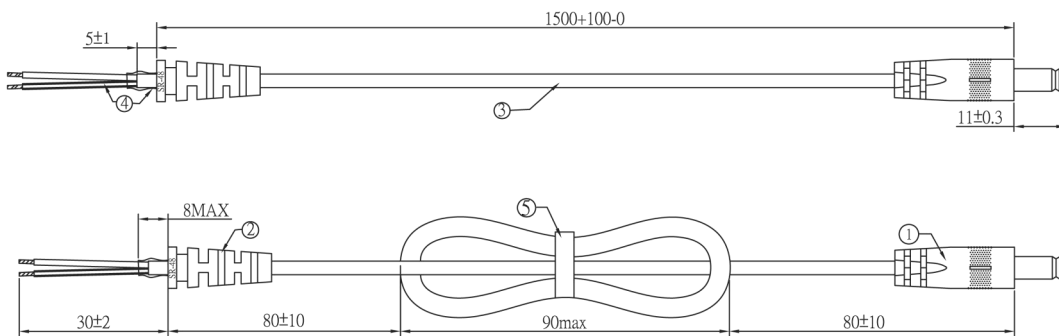
OUTPUT	
Turn delay	5000ms max@AC low line input@output full load
Hold up time	8ms min@AC nominal input@output full load
Efficiency (Normal)	>87%@115v/60HZ,230V/50HZ input & Full load
Transient response (dv,tmax)	0.4V dv max At AC nominal input loading from 20%load to 80% load 16ms tmax Dynamic rise time 10 us max,duty 40ms max,Dynamic load step is slew rate of 0.5A/us
Power out.Limit	40W
Burn in limit	Full load 2 Hours
Power consumption	0.1W max. At AC nominal input@output min load
INPUT	
Voltage	(90~264)VAC
Frequency	(47~63)hz
Current	0.5A rms@AC low line input and DC output full load
Inrush Surge Current (cold start)	40/60A max@power supply cold start,ambient temperature 25°C @115Vac/230Vac nominal AC input
leakage current	3.5mA Max
PROTECTION	
Over current/ Short protection	The power supply will be auto recovered when over current or short circuit faults remove (fold back). Is defined as any output impedance of less than 0.1Ω.The power supply will be auto recovered when short circuit faults remove
Over Voltage	The power supply will not be auto recovered when faults remove 110%-150%. (Voltage limit)
Input protection	F1:2A 250V Fuse The power supply shall be protected against power line surges and any abnormal condition
No Load protection	The power supply is provided with no load operation to prevent the power supply and system from damage.
Protection class	I, (ITU-T K.21 Surge 6KV on request)

CE	
EMC	2014/30/EU
LVD	2014/35/EU EN 60950-1:2006+A11+A1+A12+A2
SAFETY	
CE GS cTUVus FCC RCM PSE EAC CB	
OTHERS	
Dielectric Strength (Hi-pot)	I/P-O/P:3000VAC
M.T.B.F	500,000 Calculated Hours at 25°C, by Telcordia SR-332
Cable Length	1370mm (4.5 feet) standard cable or as required
PLD (power line disturbance)	Line power surge Line voltage SAG-more info on request
Cooling method	Natural Convection Cooling
Housing material	PC + ABS
Temperature coefficient:	< ±0.5% / °C
ENVIRONMENT	
Temperature	Operating: 0~40°C / Storage: -20~85°C
Humidity	Operating: 8%~90%RH / Storage: 5%~95% RH non condensing
WEIGHT	
NW: 240g/pc	
GW:255g/pc	
PACKING	
Box	50 pcs/1 box

Mechanical case specification:



Cable specification:



Country of Origin : China
 Operating Temperature : 0~40 [°C]
 Dimension : 115 x 55 x 35 [mm]
 Efficiency level (ErP) : VI



GREEN MODE

RoHS



For UNI models only:



Approvals / Marks :



Specifications

Model	Voltage DC [V]	Loading [A]	Max. Power [W]	Ripple / Noise [mV] p-p	Connector [mm]
SYS1548-5012-T2	12	0~4.17	50	200	2.1x5.5x11
SYS1548-5024-T2	24	0~2.08	50	240	2.1x5.5x11
SYS1548-6512-T2	12	0~5.42	65	180	2.1x5.5x11
SYS1548-6512-T2	12	0~5.42	65	180	2.5x5.5x11
SYS1548-6512-T2	12	0~5.42	65	180	(*)
SYS1548-6515-T2	15	0~4.33	65	200	2.1x5.5x11
SYS1548-6518-T2	18	0~3.61	65	240	2.1x5.5x11
SYS1548-6519-T2	19	0~3.42	65	240	2.1x5.5x11
SYS1548-6524-T2	24	0~2.71	65	300	2.1x5.5x11
SYS1548-6536-T2	36	0~1.80	65	360	2.1x5.5x11

Features:

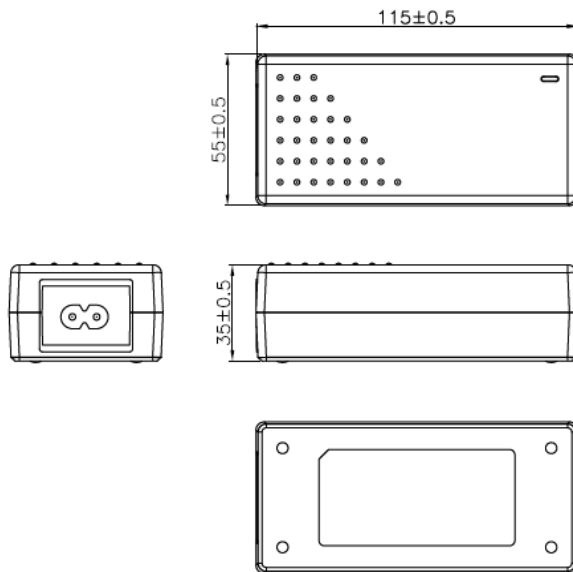
(*) DC Connectors	mentioned or It will be provide with the specify model per request.	"E" - 4.2 x 6.0 x 10 CenterPINØ1.4mm (black) for LCD (DELL+LG) "B" - 2.1 x 5.5 x 9.5 (black) for common use "M" - 2.5 x 5.5 x 11.5 (white) for LCD ACER "D" - 3.0 x 6.3 x 9 (green) for LCD ACER "E" - 1.7 x 5.5 x 11.5 (yellow)
-------------------	---	--

Available in 2 inlet versions: C7 (T2)  C13(T3) 
 Output connector: standard: 2.1 x 5.5 x 11mm or customer requirement | Regulated Output With Low Ripple Noise | Safety Agency Requirements and EM/EMS Certified
 Private Label Marking Available | Modified and Custom Design Available | 2 Years Warranty

OUTPUT	
Turn delay	5000ms max@AC low line input@output full load
Hold up time	5ms min@AC nominal input@output full load (>half cycle)
Efficiency (Normal)	Meet CEC,DOE,ERP,MEPS Level VI@115v/60HZ,230V/50HZ
Transient response (dv,tmax)	0.4V dv max At AC nominal input loading from 20%load to 80% load
	16ms tmax Dynamic rise time 10 us max,duty 40ms max,Dynamic load step is slew rate of 0.5A/us
Power out.Limit	Peak 75w
Burn in limit	Full load 2 Hours
Power consumption	Less than 0.075W ms max. At AC nominal input@output min load
INPUT	
Voltage	(90~264)VAC
Frequency	(47~63)hz
Current	2.0A rms@AC low line input and DC output full load
Inrush Surge Current (cold start)	40/80A max@power supply cold start,ambient temperature 25°C @115Vac/230Vac nominal AC input
leakage current	T2:0.25mA max T3:3.0mA max
PROTECTION	
Over current/ Short protection	The power supply will self-protect any output to ground & auto recovery when abnormal circuit faults remove. An output short circuit is defined as any output impedance less than 0.1 ohms.
Over Voltage	The power supply will be auto recovered when faults remove
Input protection	F1:3.15A 250V Fuse The power supply shall be protected against power line surges and any abnormal condition
No Load protection	The power supply is provided with no load operation to prevent the power supply and system from damage.
Protection class	II, (ITU-T K.21 Surge 6KV on request)

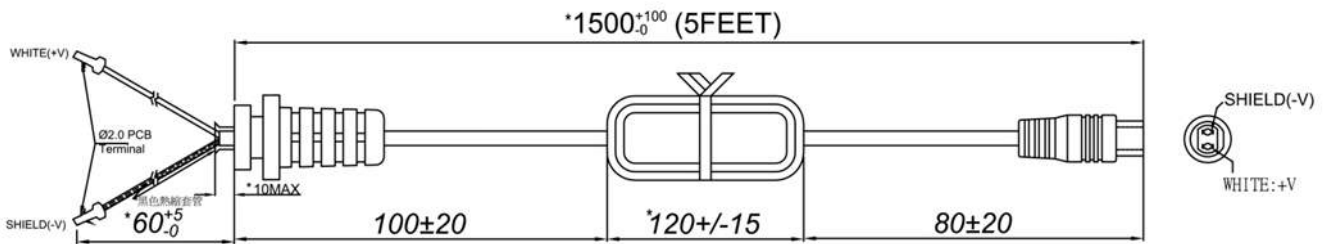
CE	
EMC	2014/30/EU
LVD	2014/35/EU EN 60950-1:2006+A11+A1+A12+A2
SAFETY	
UL GS CB CE FCC SAA RCM	
OTHERS	
Dielectric Strength (Hi-pot)	Primary to Secondary:3000VAC 10mA/60S
M.T.B.F	500,000 Calculated Hours at 25°C, by Telcordia SR-332
Cable Length	1500mm (5 feet) standard cable or as required
PLD (power line disturbance)	Line power surge Line voltage SAG-more info on request
Cooling method	Natural Convection Cooling
Housing material	PC or PPO
Temperature coefficient:	< ±0.5% / °C
ENVIRONMENT	
Temperature	Operating: 0~40°C / Storage: -20~85°C
Humidity	Operating: 8%~90%RH / Storage: 5%~95% RH non condensing
WEIGHT	
NW:	266g/pc
GW:	16kg/box
PACKING	
PE plastic bag	60 pcs/1 box 48x44x23 cm

Mechanical case specification:

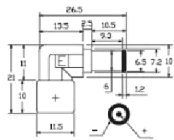


Cable specification:

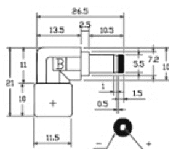
a) UNI cable type (1185#16*1C + shield / 5FT) ----- types of UNI plugs can be changed by customer



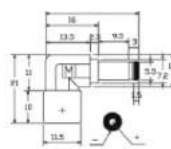
"E" type: (4.2x6.0x10.0 CPØ1.4)



"B" type: (2.1x5.5x9.5)



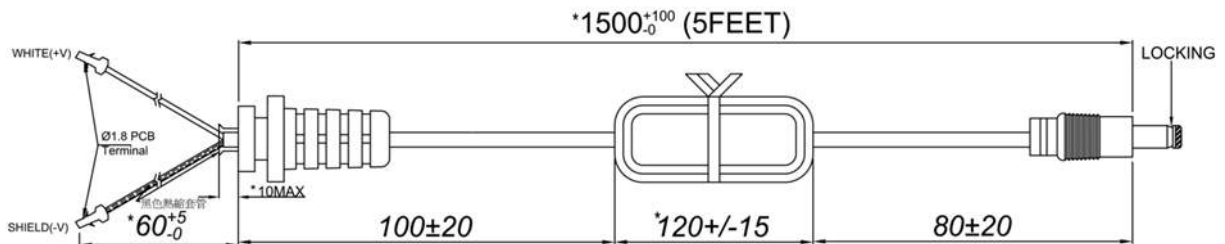
"M" type: (2.5x5.5x11.5)



"D" type: (3.0 x 6.3 x 9)



b) FIX cable type (1185#16 for 12V model, 1185#20 for 24V model)



Country of Origin : China
 Operating Temperature : 0~40 [°C]
 Dimension : 115 x 55 x 35 [mm]
 Efficiency level (ErP) : VI





Approvals / Marks :



Specifications

Model	Voltage DC [V]	Loading [A]	Max. Power [W]	Ripple / Noise [mV] p-p	Connector [mm]
SYS1548-5012-T3	12	0~4.17	50	200	2.1x5.5x11
SYS1548-5024-T3	24	0~2.08	50	240	2.1x5.5x11
SYS1548-6512-T3	12	0~5.42	65	180	2.1x5.5x11
SYS1548-6512-T3	12	0~5.42	65	180	2.5x5.5x11
SYS1548-6515-T3	15	0~4.33	65	200	2.1x5.5x11
SYS1548-6518-T3	18	0~3.61	65	240	2.1x5.5x11
SYS1548-6519-T3	19	0~3.42	65	240	2.1x5.5x11
SYS1548-6524-T3	24	0~2.71	65	300	2.1x5.5x11
SYS1548-6536-T3	36	0~1.80	65	360	2.1x5.5x11

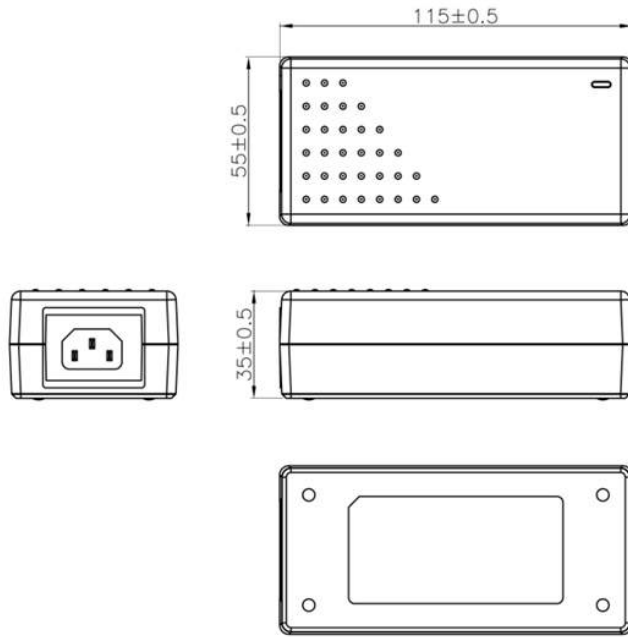
Features:

Available in 2 inlet versions: C7 (T2)  C13(T3) 
 Output connector: standard: 2.1 x 5.5 x 11mm or customer requirement | Regulated Output With Low Ripple Noise | Safety Agency Requirements and EMI/EMS Certified
 Private Label Marking Available | Modified and Custom Design Available | 2 Years Warranty

OUTPUT	
Turn delay	5000ms max@AC low line input@output full load
Hold up time	5ms min@AC nominal input@output full load (>half cycle)
Efficiency (Normal)	Meet CEC,DOE,ERP,MEPS Level VI@115v/60HZ,230V/50HZ
Transient response (dv,tmax)	0.4V dv max At AC nominal input loading from 20%load to 80%load 16ms tmax Dynamic rise time 10 us max,duty 40ms max,Dynamic load step is slew rate of 0.5A/us
Power out.Limit	Peak 75w
Burn in limit	Full load 2 Hours
Power consumption	Less than 0.075W ms max. At AC nominal input@output min load
INPUT	
Voltage	(90~264)VAC
Frequency	(47~63)hz
Current	2.0A rms@AC low line input and DC output full load
Inrush Surge Current (cold start)	40/80A max@power supply cold start,ambient temperature 25°C @115Vac/230Vac nominal AC input
leakage current	T2:0.25mA max T3:3.0mA max
PROTECTION	
Over current/ Short protection	The power supply will self-protect any output to ground & auto recovery when abnormal circuit faults remove. An output short circuit is defined as any output impedance less than 0.1 ohms.
Over Voltage	The power supply will be auto recovered when faults remove
Input protection	F1:3.15A 250V Fuse The power supply shall be protected against power line surges and any abnormal condition
No Load protection	The power supply is provided with no load operation to prevent the power supply and system from damage.
Protection class	I, (ITU-T K.21 Surge 6KV on request)

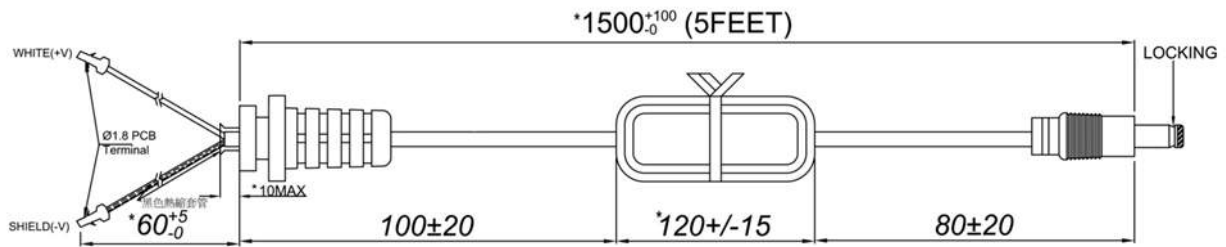
CE	
EMC	2014/30/EU
LVD	2014/35/EU EN 60950-1:2006+A11+A12+A2
SAFETY	
UL GS CB CE FCC CCC BSMI PSE EK-Mark (only for 5012) SAA RCM NOM (only for 6012) EAC BIS (only for 6512/6012/5012) JS-MARK	
OTHERS	
Dielectric Strength (Hi-pot)	Primary to Secondary:3000VAC 10mA/60S
M.T.B.F	500,000 Calculated Hours at 25°C, by Telcordia SR-332
Cable Length	1500mm (5 feet) standard cable or as required 1200mm (4 feet) cable for SYS1548-5012-T3
PLD (power line disturbance)	Line power surge Line voltage SAG-more info on request
Cooling method	Natural Convection Cooling
Housing material	PC or PPO
Temperature coefficient:	< ±0.5% / °C
ENVIRONMENT	
Temperature	Operating: 0~40°C / Storage: -20~85°C
Humidity	Operating: 8%~90%RH / Storage: 5%~95% RH non condens-ing
WEIGHT	
NW:	266g/pc
GW:	16kg/box
PACKING	
PE plastic bag	60 pcs/1 box 48x44x23 cm

Mechanical case

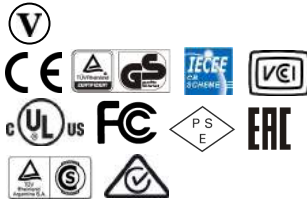


Cable specification:



FIX cable type (1185#16(for 12Vmodel) or 20(for 24V,48V model) or 18*1C + shield / 4FT(50W) or 5FT(65W))



Country of Origin : China
 Operating Temperature : 0~40 [°C]
 Dimension : 115 x 55 x 35 [mm]
 Efficiency level (ErP) :



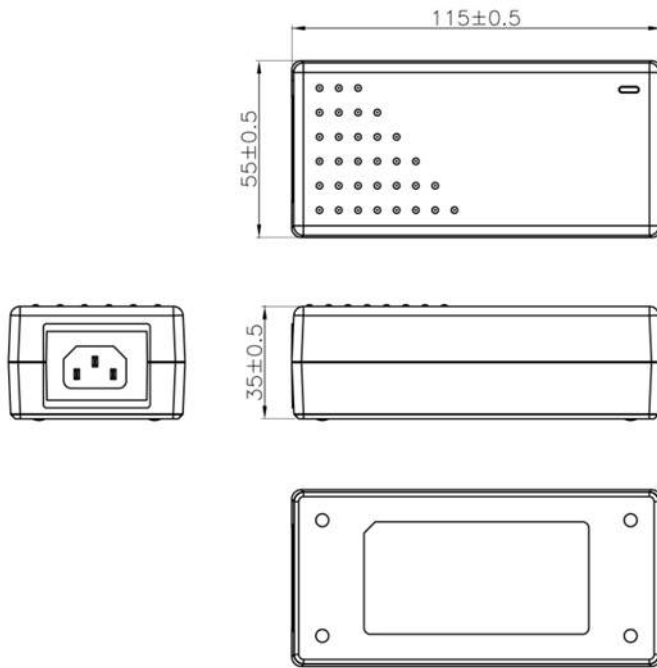
Features:

Desk Top power supply, single output.	Wide range Input (90 ~ 264) VAC / (47 ~ 63) Hz	Available in 2 inlet version:
Overload, over voltage & short protection.	Available in T2/T3 version (with C8&C14 inlet)	C8 (T2)  C14(T3) 
For I.T.E. use only	RoHS conform	

Specification:

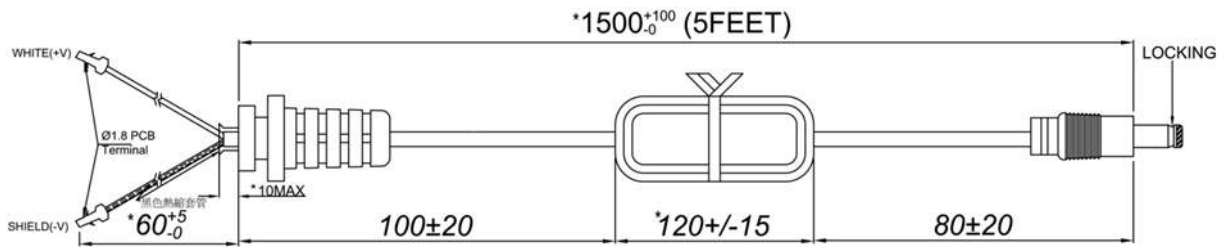
	Model	Voltage DC [V]	Loading [A]	Line/Road regulation [%]	OVP max [V]	OCF [A]	Efficiency [%]	Max. Power [W]	Ripple & Noise [mV] p-p	Connector [mm] UL approved
ErP V.	SYS1443-5012-T3	12	0~4.17	±5	16	5.2~9.0	>87	50	200	2.1x5.5x11
	SYS1443-5024-T3	24	0~2.08	±5	28	2.6~4.5	-	50	240	(*)
	SYS1443-6512-T3	12	0~5.41	±5	16	6.0~9.0	>87	65	200	2.1x5.5x11
(*) – will be provide with the specify model										
OEM Production	SYS1443 – certified for output power Pout=(50~65)W rising up by step of 1W & Uout=(12,15,18,19,20,24,48)V									
OUTPUT	Turn on delay	5000 ms max @ AC low line input@output full load								
	Hold up time	10ms min @ AC nominal input@ output full load (> half cycle)								
	Efficiency (Normal)	meets CEC, DOE, ERP, MEPS, K-MEPS LEVEL V @115V/60Hz, 230V/50Hz								
	Transient response (dv, tmax)	0.3v dv max At AC nominal input loading from 20% load to 80% load.								
		16ms tmax Dynamic rise time 10uS max , duty 40mS max , Dynamic load step is slew rate of 0.5A/uS								
	Power out. Limit	Peak 70W 60W for 50Wmodel peak 60w [for 50w model								
Output LED	Burn in test	Yes				Full load 2 Hours				
INPUT	Voltage	(90 ~ 264)VAC								
	Frequency	(47 ~ 63) Hz								
	Current	1.5A rms @ AC low line input and DC output full load								
	Inrush Surge Current (cold start)	40/60A max @ power supply cold start, ambient temperature 25°C @115Vac / 230Vac nominal AC input.								
	Leakage current	0.25 mA Max.								
	Power consumption	0.5W(>50W) 0.3W(50W) rms max. At AC nomina input@output min load								
PROTECTION	Over Current /Short protection	The power supply will self-protect any output to ground, And auto recovery when abnormal circuit faults remove. An output short circuit is defined as any output impedance of less than 0.1 ohms. OCP method >>Fold back<<								
	Over Voltage	The power supply will not be auto recovered when faults remove >>Voltage limit<<								
	Input protection	F1:T3.15AL/250V Fuse								
	No load protection	The power supply is provided with no load operation to prevent the power supply and system from damage.								
	Protection class	I.								
OTHERS	Dielectric Strength (Hi-pot)	Primary to Secondary: 3000VAC / 10mA / 60s								
	M.T.B.F	500,000 Calculated Hours at 25°C, by Telcordia SR-332								
	Cable length	1185#20*1C / 5ft (1,5m) round cable or depends on customer requirements // model SYS1443-5012-T3 han only 4ft cable.								
	PLD (power line disturbance)	LINE POWER SURGE LINE VOLTAGE SAG – more information will be provide on request								
	Cooling method	By natural air								
	Housing material	PC or PPO								
	Temperature coefficient:	< ±0.5% / °C								
ENVIRONMENT	Temperature	Operating: (0 ~ 40)°C / Storage: (-20 ~ 85)°C								
	Humidity	Operating: 8% ~ 90% RH / Storage: 5% ~ 95% RH non condensing								
SAFETY CE TUV/GS CB cULus FCC VCCI PSE EAC S-Mark RCM										
EMC	EMI	EN 55022 Class B (2006)+ A1(2007) EN 61000-3-2 (2006) + A1(2009) + A2 Class A(2009)/EN 61000-3-3 (2008)								
	EMS	EN55024(1998)+A1(2001)+A2(2003) IEC 61000-4-2 (2008) IEC 61000-4-3 (2006) + A1(2007) + A2(2010) IEC 61000-4-4 (2004) + A1(2010) IEC 61000-4-5 (2005) IEC 61000-4-6 (2008) IEC 61000-4-8 (2009) IEC 61000-4-11 (2004)								
WEIGHT	1pc	N.W.: 300g / pc								
		0.48(L) x 0.43(W) x 0.25(H) [m] or 0.48(L) x 0.44(W) x 0.23(H) [m]								
PACKING	Box	54 or 60 pcs / 1box				G.W.: 19 or 18kg				

Mechanical case specification:



Cable specification:

FIX cable type (1185#16(for 12Vmodel) or 20(for 24V,48V model) or 18*1C + shield / 4FT(50W) or 5FT(65W))



Country of Origin : China
 Operating Temperature : 0~40 [°C]
 Dimension : 115 x 53 x 38 [mm]
 Efficiency level (ErP) : VI



Approvals / Marks :



Specifications

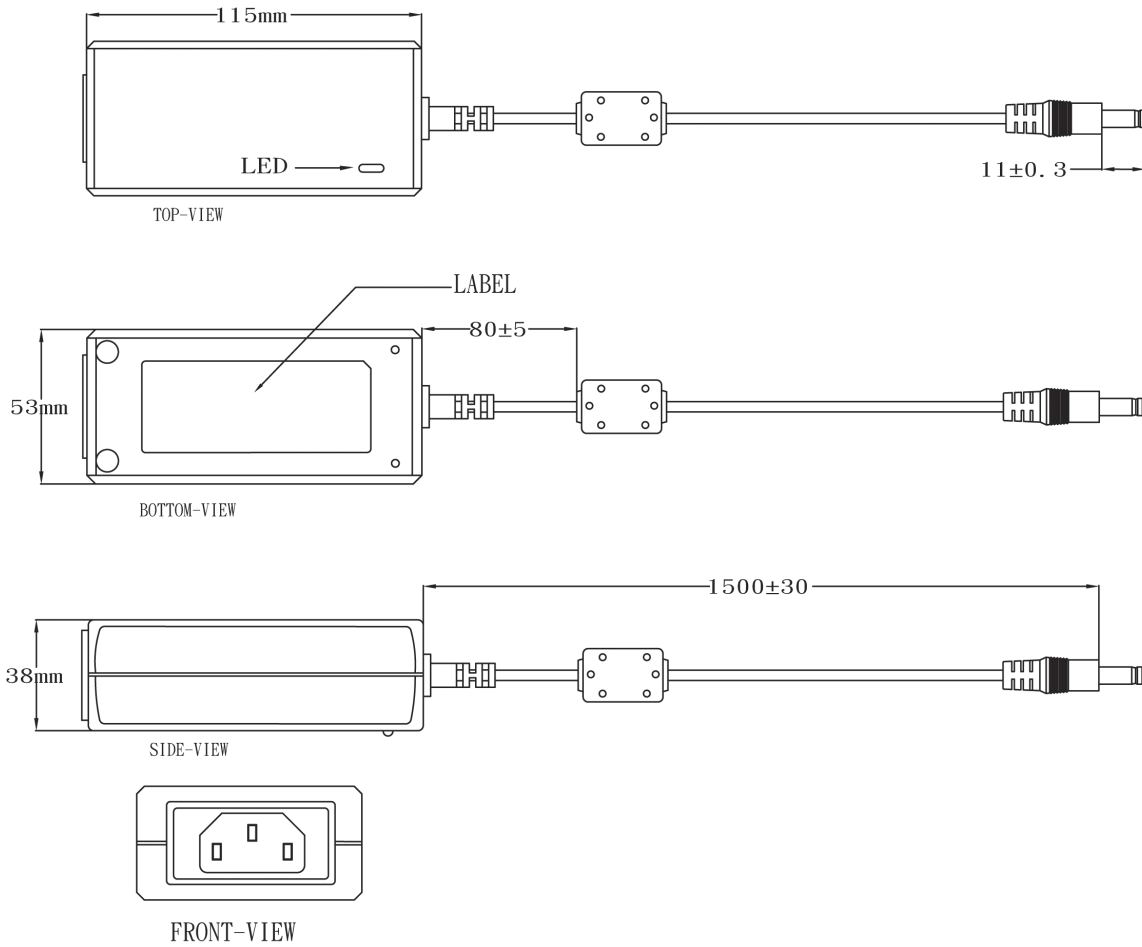
Model	Voltage DC [V]	Loading [A]	Max. Power [W]	Ripple / Noise [mV] p-p	Connector [mm]
ATS065T-P480-T3	48	0~1.36	65	480	2.1x5.5x11

Features:

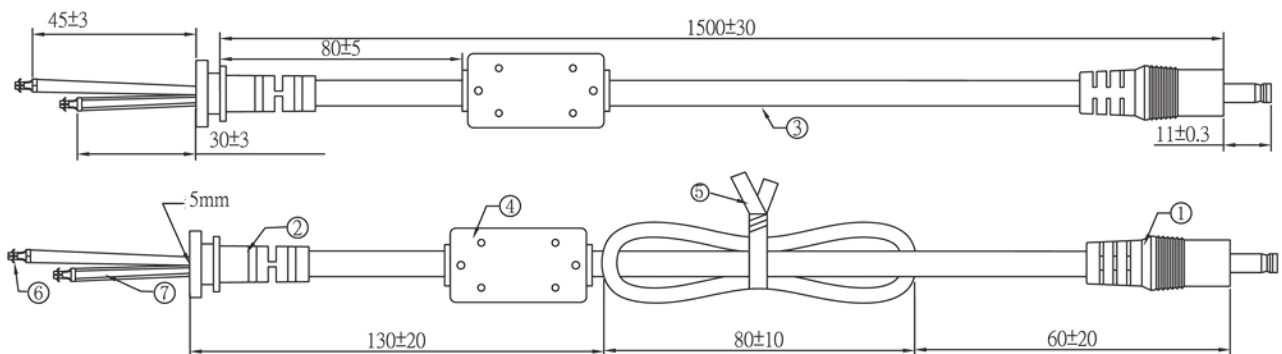
Available in inlet version: C13 (T3)
 Output connector: standard: 2.1 x 5.5 x 11mm or customer requirement | Regulated Output With Low Ripple Noise | Safety Agency Requirements and EMI/EMS Certified
 Suitable for usage at Telecommunication, Computer, Industrial Controller, & OA System | 1 Year Warranty








OUTPUT		EMC	
Hold up time	10ms @ full load	EMI	Compliance to EN 55022 Class B, EN 61000-3-2,3
Efficiency (Normal)	Meet DoE / ErP (Stage 2) / GEMS / NRCAN / CEC / EPA Level VI@115V/60HZ,230V/50HZ	EMS	Compliance to EN 61000-4-2,3,4,5,6,8,11
Transient response	0.5 ms for 50 % load change typical	SAFETY	
Power consumption	Less than 0.21W ms max. At AC nominal input@output min load	cUL GS CB CE PSE BSMI RCM	
INPUT		OTHERS	
Voltage	(100~240)VAC	Withstand Voltage	AC 3000 V Primary - Secondary
Frequency	(50~60)hz	M.T.B.F	300,000 Hrs.(Calculated Hours At 25°C:By Telcordia SR-332)
Current	1.4A Max.	Cable Length	1500mm (5 feet) Black UL1185 AWG22
Inrush Surge Current (cold start)	80A Max. / 240Vac (Cold start at 25 °C, full load)	Cooling method	Natural Convection Cooling
leakage current	3.5mA	Temperature coefficient:	< ±0.5% / °C
PROTECTION		ENVIRONMENT	
Over current/ Short protection	(I out *180%) Max. / Automatic recovery after short-circuit fault being removed	Temperature	Operating: 0~40°C / Storage: -20~80 °C
Over Voltage	(V out *150%) Max.	Humidity	Operating: 20%~80%RH / Storage: 10%~90% RH non condensing
Input protection	Internal Primary Current Fuse, Inrush Limiting	WEIGHT	
No Load operation	Yes, to protect the power supply and system from damage	NW: 280g/pc	
Protection class	I	PACKING	
		40 pcs/1 box	

Mechanical case specification:



Cable specification:



Country of Origin : China
 Operating Temperature : 0~40 [°C]
 Dimension : 114 x 53.4 x 34 [mm]
 Efficiency level (ErP) : 
 Approvals / Marks :   
  


Features:

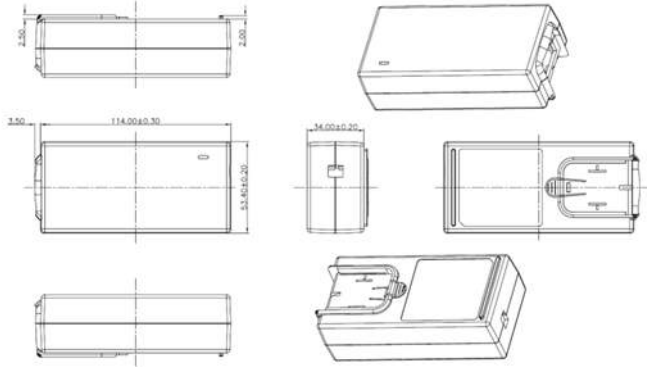
Possible to use AC Plugs (Blades) in set (EU + UK + USA + Australia) = desktop type can be changed into wall mount PSU.
 Wide range Input (90 ~ 264) VAC / (47 ~ 63) Hz.
 Over load, over voltage & short protection. For I.T.E use only + RoHS conform.

Specification:

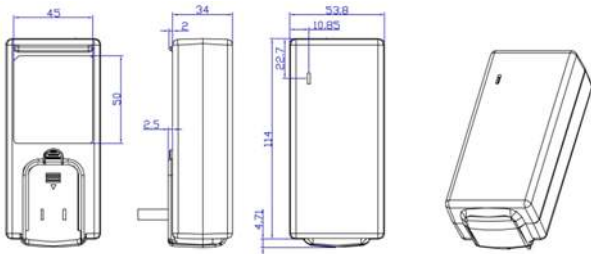
	Model	Voltage DC [V]	Loading [A]	Tol. [%]	OCP [A]	OVP Max [V]	Efficiency [%]	Max. Power [W]	Ripple & Noise [mV]p-p	Connector UL Approved [mm]
ErP IV.	SYS1183-4005-Wxx*	5	0~8.00	±10	14±2	10	>70	40	150	2.1x5.5x11
ErP V.	SYS1183-6524-Wxx*	24	0~2.70	±5	5±1.5	27±1	>88	65	240	2.1x5.5x11
*Wxx	Possible to order with Wxx =W2E--Europe W2--USA,Canada,China,Japan W3U--UK W2A--Australia									
INPUT	Voltage	(90 ~ 264) VAC								
	Frequency	(47 ~ 63) Hz								
	Current	1.6A rms @ AC low line input and DC output full load								
	Inrush Surge Current (cold start)	40/60Amax. @ power supply cold start, ambient temperature 25°C @115VAC / 230VAC nominal AC input.								
	Leakage current	<0.25 mA @ 240Vac input								
PROTECTION	Over load	OCP	(150~200)[%], Fold back							
	Over Voltage	OVP	(110~140)[%], Voltage limiting							
	Short Circuit	Yes, Output to Ground, Auto recovery when fault has been removed. Short Current & Over Current can not exceed 8A max. after 1minute at nominal line input.								
	Protection class	II.								
	No Load Operation	Yes, to protect the power supply and system from damage								
OTHERS	Dielectric Strength	HI-POT B / I/P-O/P (FG): 3KVAC / 10mA / 1 minute								
	Output transient response (dv, tmax)	1.2 dv max At AC nominal input loading from 50% load to max load or peak load. 12ms t max Dynamic rise time 10µS max , duty 40mS max , Dynamic load step is slew rate of 0.5A/µS								
	Power ON Led	Yes								
	Turn on delay	7000ms max. @ AC low line input @ output full load								
	Hold-up Time	10ms @ AC nominal Input and Output full load								
	MTBF Qualification	500,000 Calculated Hours at 25°C, by Telcordia SR-332								
	DC cable & connector	Standard length of the cable 1,8m & It depends on customer requirements and upon specifications								
	Efficiency (Normal)	>70% min. @ 240VAC input & Full load								
	Power Consumption	Max. 1W @ AC nominal Input and Output min. load for model SYS1183-4005-T2 = 0.7W For model SYS1183-6524-T2 = 0.5W rms max.								
	Input Fuse	250VAC { 1.6A(for 5V model) / 2A (for 12V,19 model) / 1.6(for 24V model)} protected against power line surges and any abnormal conditions								
ENVIRONMENT	Temperature	Operating: (0 ~ 40)°C / Storage: (-20 ~ 85)°C								
	Humidity	Operating: (8 ~ 90)% RH / Storage: (5 ~ 95)% RH non condensing								
SAFETY	CE TUV/GS CB cULus FCC C-Tick									
EMC	EMI	EN 55022 Class B (2006)+ A1(2007) EN 61000-3-2 (2006) + A1(2009) + A2 Class A(2009)/EN 61000-3-3 (2008)								
	LVD	EN55024(1998)+A1(2001)+A2(2003) IEC 61000-4-2 (2008) IEC 61000-4-3 (2006) + A1(2007) + A2(2010) IEC 61000-4-4 (2004) + A1(2010) IEC 61000-4-5 (2005) IEC 61000-4-6 (2008) IEC 61000-4-8 (2009) IEC 61000-4-11 (2004)								
WEIGHT	1pc	N.W.: 390g / pc G.W.: 410g / pc								
		0.48 x 0.26 x 0.44 [m]								
PACKING	Box	54pcs / 1box								
		G.W.: 24.4 kg / box								

Mechanical case specification:

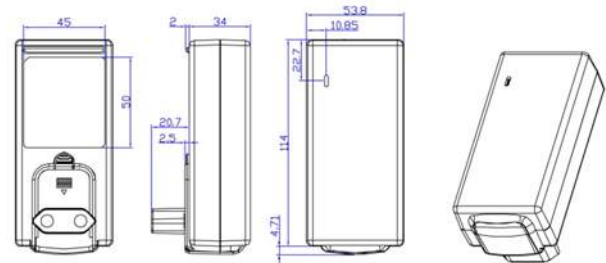
A) Without plug



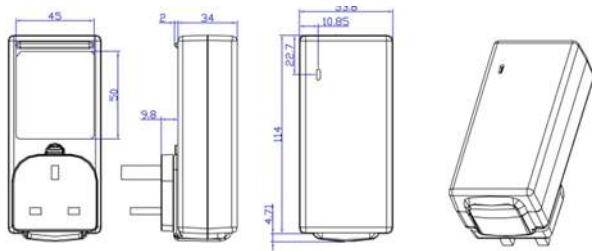
B) W2 type (USA/Japan)



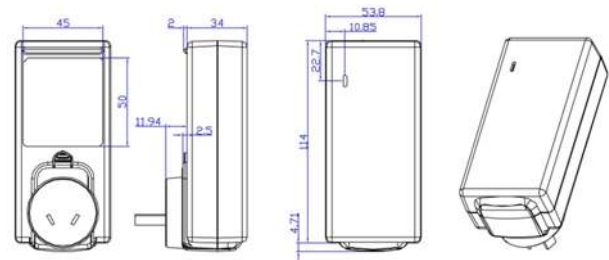
C) W2E type (Europe)



D) W3U type (UK)

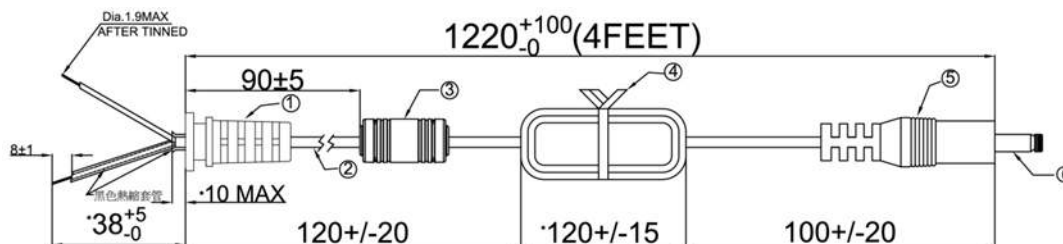


E) W2A type (Australia)



Cable specification:

2.1*5.5*11 (1185#16*1C / 4FT)



Country of Origin : China
 Operating Temperature : 0~40 [°C]
 Dimension : 139 x 61 x 33 [mm]
 Efficiency level (ErP) : VI



Approvals / Marks :



Specifications

Model	Voltage DC [V]	Loading [A]	Max. Power [W]	Ripple / Noise [mV] p-p	Connector [mm]
SYS1575-9012-M3	12	0~7.5	90	200	2.1x5.5x11
SYS1575-9015-M3	15	0~6.0	90	200	2.1x5.5x11
SYS1575-9018-M3	18	0~5.0	90	200	2.1x5.5x11
SYS1575-9019-M3	19	0~4.73	90	200	2.1x5.5x11
SYS1575-9020-M3	20	0~4.5	90	200	2.1x5.5x11
SYS1575-9024-M3	24	0~3.75	90	240	2.1x5.5x11
SYS1575-9036-M3	36	0~2.5	90	360	2.1x5.5x11
SYS1575-9048-M3	48	0~1.87	90	480	2.1x5.5x11
SYS1575-9054-M3	54	0~1.6	90	540	2.1x5.5x11

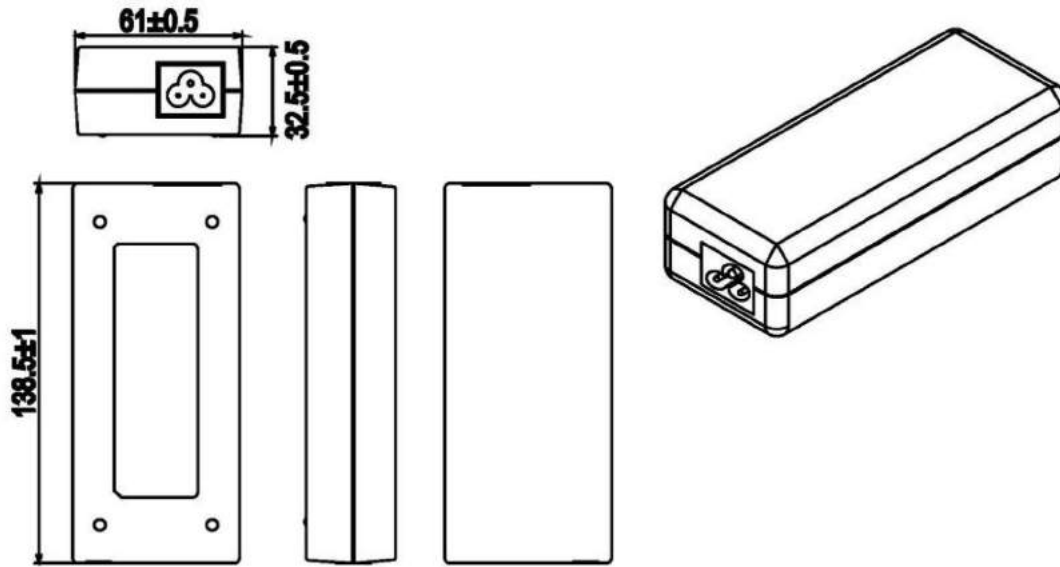
Features:

Available in inlet version: C5 (M3)
 Output connector: standard: 2.1 x 5.5 x 11mm or customer requirement | Regulated Output With Low Ripple Noise | Safety Agency Requirements and EMI/EMS Certified
 Private Label Marking Available | Modified and Custom Design Available | 2 Years Warranty

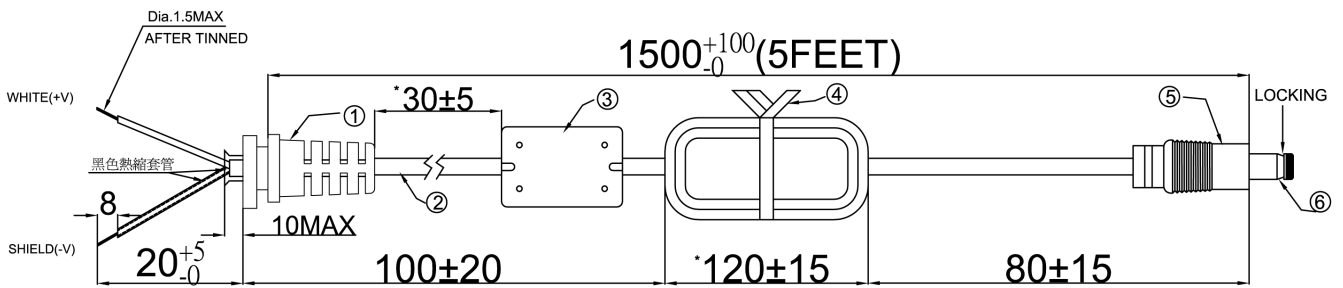
OUTPUT	
Turn delay	7000ms max@AC low line input@output full load
Hold up time	10ms min@AC nominal input@output full load (>half cycle)
Efficiency (Normal)	Meet CEC,DOE,ERP,MEPS Level VI@115v/60HZ,230V/50HZ
Transient response (dv,tmax)	2V dv max At AC nominal input loading from 20%load to 80%load Dynamic rise time 10 us max,duty 40ms max,Dynamic load step is slew rate of 0.5A/us
Power out.Limit	Peak 110w
Burn in limit	Full load 2 Hours
Power consumption	Less than 0.21W ms max. At AC nominal input@output min load
INPUT	
Voltage	(90~264)VAC
Frequency	(47~63)hz
Current	2.5A rms@AC low line input and DC output full load
Inrush Surge Current (cold start)	100A max@power supply cold start,ambient temperature 25°C @115Vac/230Vac nominal AC input
leakage current	3.2mA max
PROTECTION	
Over current/ Short protection	The power supply will self-protect any output to ground & auto recovery when abnormal circuit faults remove. An output short circuit is defined as any output impedance less than 0.1 ohms.
Over Voltage	The power supply will be auto recovered when faults remove
Input protection	F1:4A 250V Fuse The power supply shall be protected against power line surges and any abnormal condition
No Load protection	The power supply is provided with no load operation to prevent the power supply and system from damage.
Protection class	I, (ITU-T K.21 Surge 6KV on request)

CE	
EMC	2014/30/EU
LVD	2014/35/EU EN 60950-1:2006+A11+A12+A2
SAFETY	
UL GS CB CE FCC SAA RCM T-licence	
OTHERS	
Dielectric Strength (Hi-pot)	Primary to Secondary:1500VAC 10mA/60S
M.T.B.F	500,000 Calculated Hours at 25°C, by Telcordia SR-332
Cable Length	1500mm (5 feet) standard cable or as required
PLD (power line disturbance)	Line power surge Line voltage SAG-more info on request
Cooling method	Natural Convection Cooling
Housing material	PC or PPO
Temperature coefficient:	< ±0.5% / °C
ENVIRONMENT	
Temperature	Operating: 0~40°C / Storage: -20~85 °C
Humidity	Operating: 8%~90%RH / Storage: 5%~95% RH non condensing
WEIGHT	
NW: 44g/pc	
GW: about 17kg/box - depends on the model	
PACKING	
30 pcs/1 box	

Mechanical case specification:



Cable specification:



Operating Temperature : 0~40 [°C]
 Dimension : 151 x 64 x 36 [mm]
 Suitable power cable : IEC320-C5
 Efficiency level (ErP) : VI



Approvals / Marks :



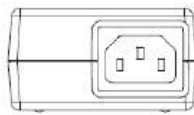
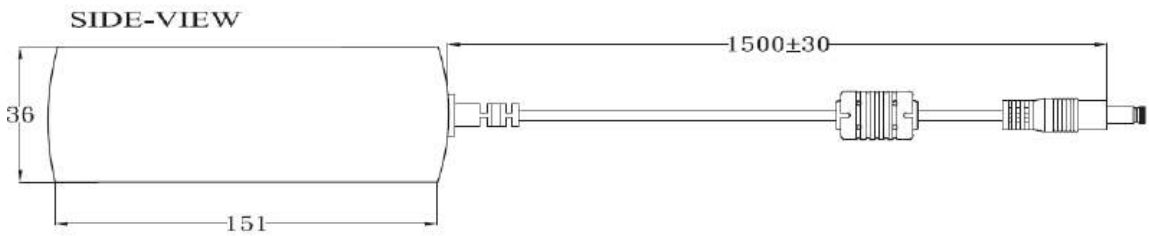
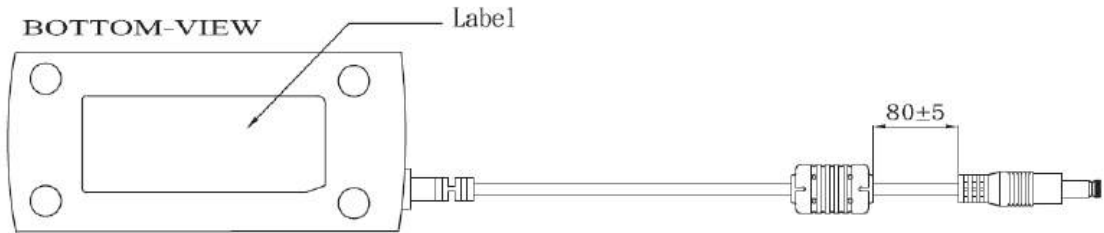
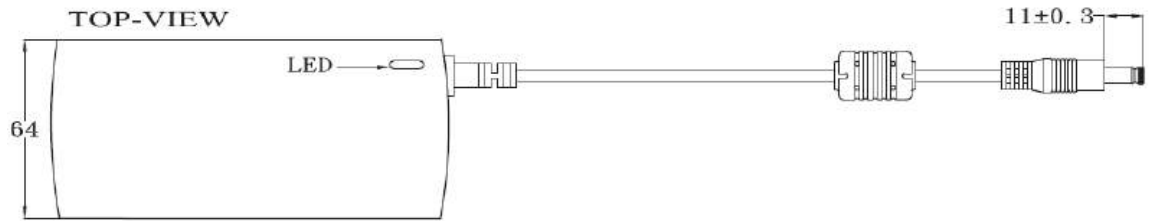
Features:

Wide range Input (100 ~ 240) VAC / (50 ~ 60) Hz.	Desktop type with C6 inlet.
Oversvoltage, Short Circuit & Over Current protection.	Meets Safety Agency Requirements and Complies EMI/EMS
Leakage Current less than 3.5mA	Regulated Output with Low Ripple Noise
For I.T.E. use only + RoHS conform.	

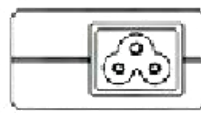
Specification:

	Model	Voltage DC [V]	Loading [A]	Line/Road regulation [%]	Hold up time [ms]	Max. Power [W]	Ripple & Noise [V] p-p	Connector "Barel type" [mm]
	DRST-8412-T3 (M3)	12	0~7.00	±5	10	84	1~2%	2.1x5.5x10.5
	DRST-9024-T3 (M3)	24	0~3.75	±5	10	90	1~2%	2.1x5.5x10.5
INPUT	Voltage	(100 ~ 240)VAC						
	Frequency	(50 ~ 60) Hz						
	Current	1.2A max (rms)						
	Protection	Internal Primary Current Fuse, Inrush Limiting						
OUTPUT	Load Regulation	± 5 % (typical)						
	Ripple	1 % – 2 % V p-p max. for output voltage at full load						
	Transient Response	0.5 ms for 50 % load change typical						
	Leakage current	0.25 mA max						
	Protection	Short circuit Protection ▪ Over Voltage Protection ▪ Over Current Protection						
OTHERS	Cooling	Free air convection						
	Efficiency	DoE Level VI ▪ Energy Star ▪ ErP Stage 2 ▪ NRCan & GEMS Level VI Certified						
	Holdup time	10 ms @ full load						
	Withstand Voltage	AC 3000 V Primary - Secondary						
	MTBF	300,000 calculated hours at 25 °C by telcordia SR-332						
ENVIRONMENT	Temperature	Operating: (0 ~ 40)°C / Storage: (-20 ~ 80)°C						
	Humidity	Operating:20% ~ 80% RH / Storage: 10% ~ 90% RH non condensing						
SAFETY	CB CE cULus FCC PSE BSMI RCM (approvals may vary with input plug type)							
CE	EMC	2014/30/EU						
	LVD	2014/35/EU EN 60950-1:2006+A11+A1+A12+A2						
Case Dimensions	151 mm × 64 mm × 36 mm (Europlug version)							
WEIGHT	1pc	N.W.: 0.460kg/pc G.W.: 0.5kg/pc						

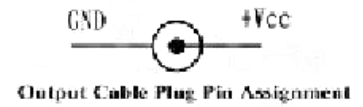
Mechanical case and cable specification:



FRONT-VIEW



FRONT-VIEW



Country of Origin : China
 Operating Temperature : 0~40 [°C]
 Dimension : 135 x 57 x 31 [mm]
 Suitable cable : IEC320-C5 ("Mickey Mouse")

Efficiency level (ErP) :



Approvals / Marks :



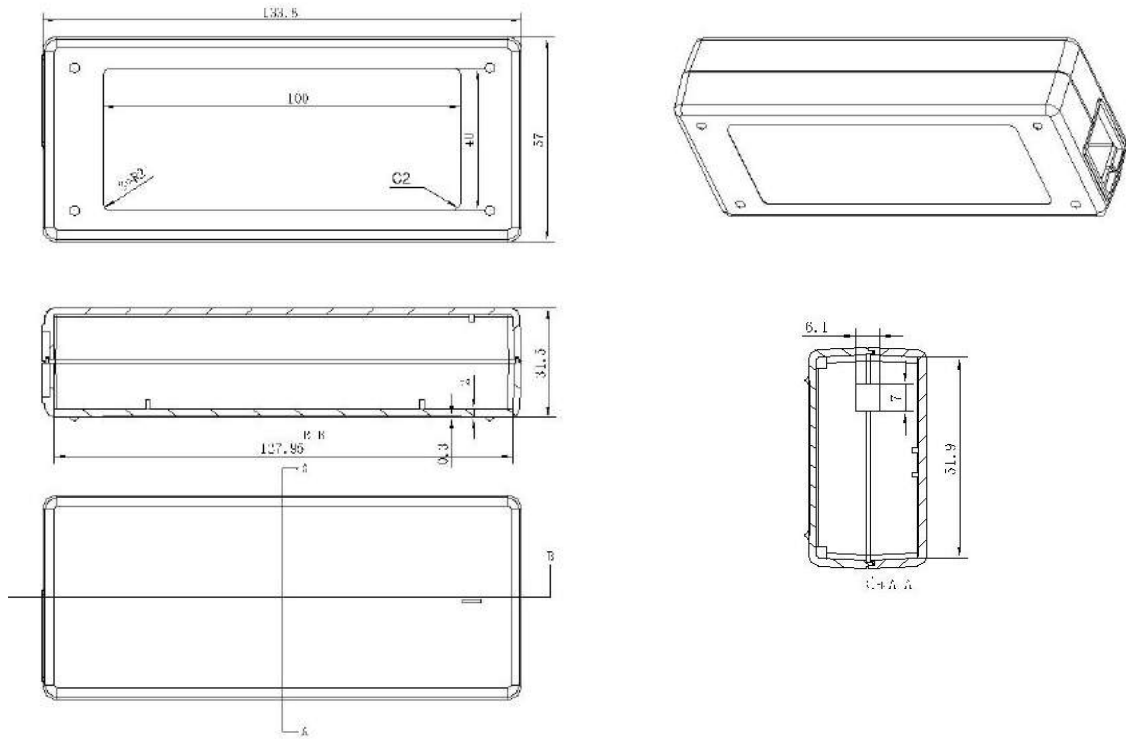
Features:

- Single Output
- Wide input voltage 100+240[V]ac with IEC 320-C5 Inlet
- Output voltage available from (12+24)Vdc & (3.75+7)A in specified steps (OEM production)
- High Performance
- Overload & Short circuit protection
- For I.T.E. use only + RoHS conform

Specification:

	Model	Voltage DC [V]	Loading [A]	Tol. [%]	Max. Power [W]	DC connector [mm]
	STXX-9024-M3	24	3.75	±5%	90	2.1x5.5x11
OEM possible OUTPUT	VOLTAGE [V]dc / CURRENT [A]dc	12/6, 14/6, 15/6, 16/5.63, 18/5, 18.5/4.9,				
	Voltage	(90 ~ 264) VAC				
	Inrush Current	40 Amps Max. Cold start at 240Vac input				
	Power efficiency	83% Min. measured at 90Vac input voltage, maximum load and include the DC cable loss.				
	Ripple and Noise	Output noise voltage is 300mV peak to Peak or less.				
	Frequency	(47 ~ 63) Hz				
	Current	max. 2.0A				
PROTECTION	Over Voltage	Yes, The power supply shall be protected when output voltage over 16V				
	Over current	Yes, The power supply shall be protected when output current over each peak current For example when the output voltage is 12V,the power supply shall be protect when the output current over 9.2A.				
	Short Circuit	Yes, The adapter is protected when a short happened between the output terminals and shall not result in a fire hazard, any damage to this adapter and will be normal operation automatically while the short is removed.				
OTHERS	Leakage Current	The measured reading is less than 0.10mA at 264 V AC,50Hz.				
	Insulation Resistance	The resistance is more than 100MΩ at apply 500 VDC between input terminals and Case.The resistance is more than 100MΩ at apply 500 VDC between input terminals and output terminals.				
	Dielectric Withstand Voltage(HI-POT)	100% of line products of this adapter shall be applied 3000VAC or 4200VDC for a minimum of 1 minute between AC input terminals and output terminals. The cut off current is specified as 10mA				
	Protective earthing	Class I.				
ENVIRONMENT	Temperature	Operating (0 ~ 40)°C Storage (-20 ~ 80)°C				
	Humidity	Operating (10 ~ 90)% RH Storage(5 ~ 90)% RH				
SAFETY	CE TuV/GS					
CE	EMC	2014/30/EU				
	LVD	2014/35/EU EN 60950-1:2006+A11+A1+A12+A2				
WEIGHT	1pcs	N.W.: 0.37 kg/pc				
PACKING		0.48 x 0.33 x 0.39 [m]				
	Box	50 pcs / 1box				
		G.W.: 21kg/box				

Mechanical case specification:



Country of Origin : China
 Operating Temperature : 0~40 [°C]
 Dimension : 169 x 61 x 39 [mm]
 Efficiency level (ErP) : VI



Approvals / Marks :



Specifications

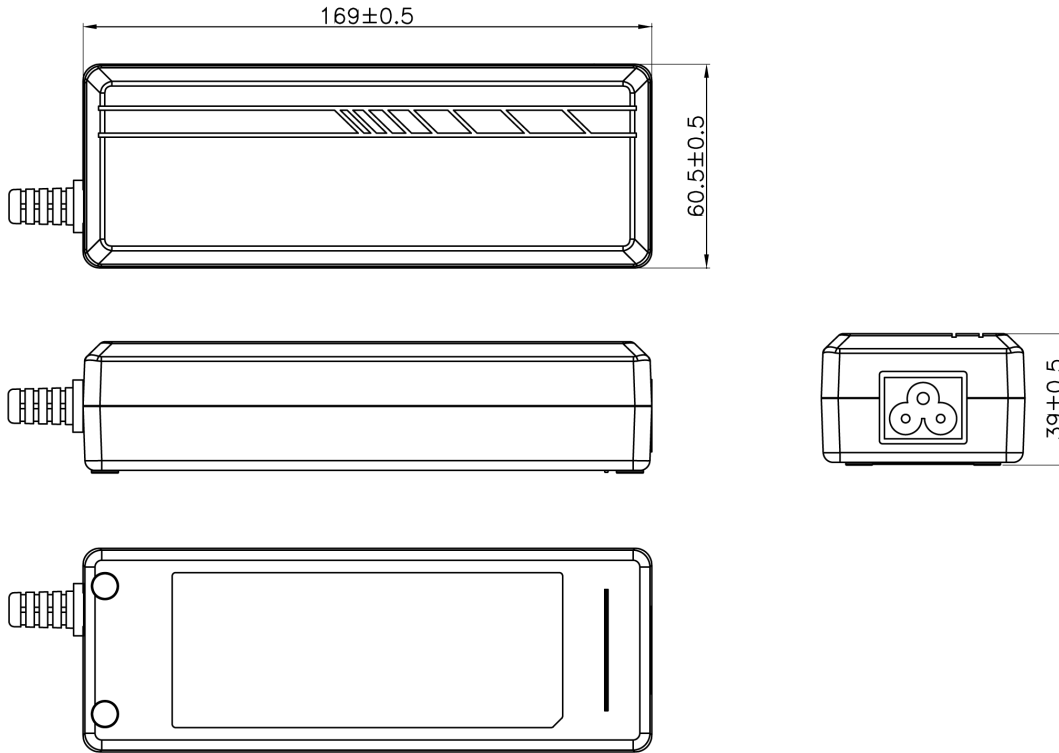
Model	Voltage DC [V]	Loading [A]	Max. Power [W]	Ripple / Noise [mV] p-p	Connector [mm]
SYS1576-12012-M3	12	0~10.0	120	200	2.1x5.5x11
SYS1576-12015-M3	15	0~8.0	120	200	2.1x5.5x11
SYS1576-12018-M3	18	0~6.66	120	200	2.1x5.5x11
SYS1576-12019-M3	19	0~6.31	120	200	2.1x5.5x11
SYS1576-12020-M3	20	0~6.0	120	200	2.1x5.5x11
SYS1576-12024-M3	24	0~5.0	120	240	2.1x5.5x11
SYS1576-13036-M3	36	0~3.6	130	360	2.1x5.5x11
SYS1576-13048-M3	48	0~2.7	130	480	2.1x5.5x11
SYS1576-13054-M3	54	0~2.4	130	540	2.1x5.5x11

Features:

Available in inlet version: C5 (M3)
 Output connector: standard: 2.1 x 5.5 x 11mm or customer requirement | Regulated Output With Low Ripple Noise | Safety Agency Requirements and EMI/EMS Certified
 Private Label Marking Available | Modified and Custom Design Available | 2 Years Warranty

OUTPUT		CE	
Turn delay	7000ms max@AC low line input@output full load	EMC	2014/30/EU
Hold up time	5ms min@AC nominal input@output full load (>half cycle)	LVD	2014/35/EU EN 60950-1:2006+A11+A1+A12+A2
Efficiency (Normal)	Meet CEC,DOE,ERP,MEPS Level VI@115v/60HZ,230V/50HZ	SAFETY	
Transient response (dv,tmax)	1.2V dv max At AC nominal input loading from 20%load to 80% load Dynamic rise time 10 us max,duty 40ms max,Dynamic load step is slew rate of 0.5A/us	UL GS CB CE FCC SAA RCM T-licence	
Power out.Limit	Peak 150w	OTHERS	
Burn in limit	Full load 2 Hours	Dielectric Strength (Hi-pot)	Primary to Secondary:1500VAC 10mA/60S
Power consumption	Less than 0.21W ms max. At AC nominal input@output min load	M.T.B.F	500,000 Calculated Hours at 25°C, by Telcordia SR-332
INPUT		Cable Length	1500mm (5 feet) standard cable or as required
Voltage	(90~264)VAC	PLD (power line disturbance)	Line power surge Line voltage SAG-more info on request
Frequency	(47~63)hz	Cooling method	Natural Convection Cooling
Current	4A rms@AC low line input and DC output full load	Housing material	PC or PPO
Inrush Surge Current (cold start)	120A max@power supply cold start,ambient temperature 25°C @115Vac/230Vac nominal AC input	Temperature coefficient:	< ±0.5% / °C
leakage current	3.5mA max	ENVIRONMENT	
PROTECTION		Temperature	Operating: 0~40°C / Storage: -20~85°C
Over current/ Short protection	The power supply will self-protect any output to ground & auto recovery when abnormal circuit faults remove. An output short circuit is defined as any output impedance less than 0.1 ohms.	Humidity	Operating: 8%~90%RH / Storage: 5%~95% RH non condensing
Over Voltage	The power supply will be auto recovered when faults remove	WEIGHT	
Input protection	F1:6.3A 250V Fuse The power supply shall be protected against power line surges and any abnormal condition	NW: 540 g/pc (estimated)	
No Load protection	The power supply is provided with no load operation to prevent the power supply and system from damage.	GW: 15.5 kg/box (estimated)	
Protection class	I, (ITU-T K.21 Surge 6KV on request)	PACKING	
		25 pcs/1 box	

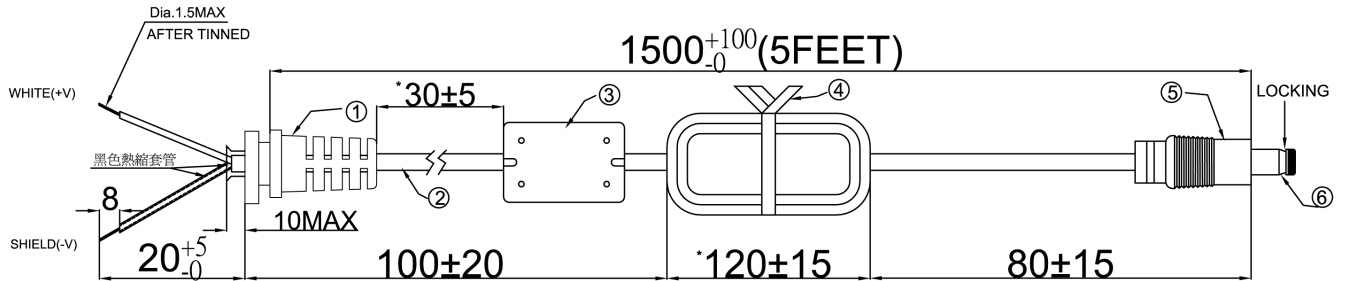
Mechanical case specification:



Cable specification:

for models with Voltage 12V-15V
1185#14*1C+SHIELD|1500mm

for models with Voltage 18V-54V
1185#16*1C+SHIELD|1500mm



Country of Origin : China
 Operating Temperature : 0~40 [°C]
 Dimension : 168 x 66 x 39 [mm]
 Suitable power cable : IEC320-C13
 Efficiency level (ErP) : VI



Approvals / Marks :



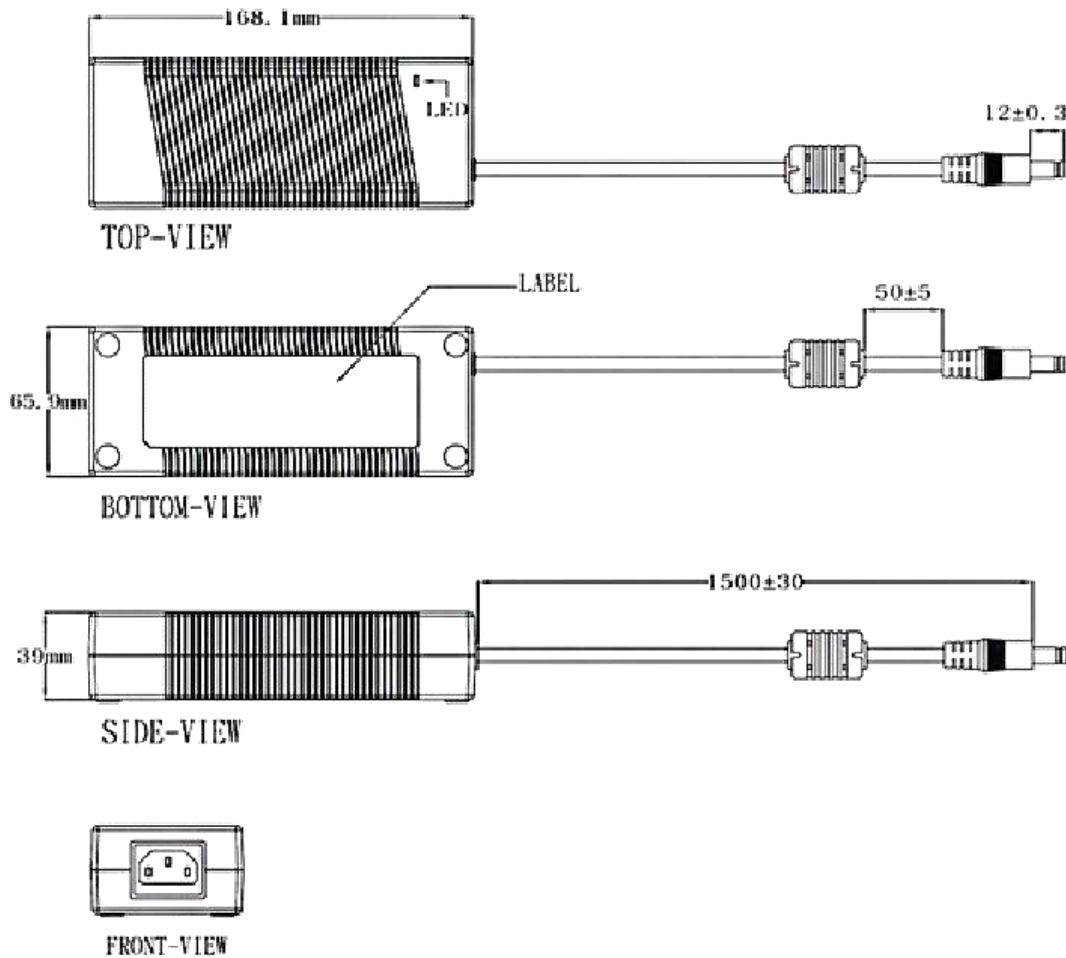
Features:

Regulated Output with Low Ripple Noise | Universal range 100 - 240VAC / 50~63Hz
 Meet CEC, Energy Star & ERP Regulations No Load Power Consumption Less Than 0.5W
 Over Voltage, Short Circuit & Over Current Protection
 Leakage Current less than 3.5mA
 I.T.E. Power Supply + RoHS conform.

Specification:

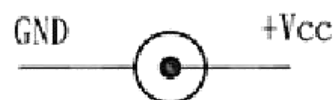
	Model	Voltage DC [V]	Loading [A]	Tolerance [%]	Max. Power [W]	Ripple & Noise [mV] p-p	Connector Barrel Type [mm]
	DRST-10812-T3	12	0~9.0	±5	108	-	2.1x5.5x11
	DRST-12015-T3	15	0~5.0	±5	120	-	2.1x5.5x11
	DRST-12016-T3	16	0~7.5	±5	120	-	2.1x5.5x11
	DRST-12018-T3	18	0~6.6	±5	120	-	2.1x5.5x11
	DRST-12019-T3	19	0~6.3	±5	120	-	2.1x5.5x11
	DRST-12020-T3	20	0~6.0	±5	120	-	2.1x5.5x11
	DRST-12024-T3	24	0~5.0	±5	120	-	2.1x5.5x11
	DRST-12030-T3	30	0~4.0	±5	120	-	2.1x5.5x11
	DRST-12048-T3	48	0~2.5	±5	120	-	2.1x5.5x11
	DRST-12056-T3	56	0~2.15	±5	120	-	2.1x5.5x11
INPUT	Voltage	(100 ~ 240) VAC					
	Frequency	(50 ~ 60) Hz					
	Current (rms max)	1.6 A max.					
	Protection	Internal Primary Current Fuse, Inrush Limiting					
OUTPUT	Load Regulation	± 5 % (typical)					
	Ripple	1 % - 2 % V p-p max. for output voltage at full load					
	Transient Response	0.5 ms for 50 % load change typical					
	Leakage Current	0.25 mA max.					
	Protection	Short circuit Protection • Over Voltage Protection • Over Current Protection					
OTHERS	Cooling	Convection					
	Efficiency	DoE Level VI • Energy Star • ErP Stage 2 • NRCan & GEMS Level VI Certified					
	Holdup Time	10 ms at full load					
	Dielectric Withstand	AC 3000 V Primary – Secondary					
	MTBF	300,000 calculated hours at 25 °C by telcordia SR-332					
ENVIRONMENT	Temperature	Operating: (0 ~ 40)°C / Storage: (-20 ~ 80)°C					
	Humidity	Operating: 20% ~ 80% RH / Storage: 10% ~ 90% RH non condensing					
CONNECTION	Output	Plug: standard 5.5 x 2.1 x 11mm (spring loaded center) or customer requirement / Cable: 180cm (6ft.)					
	Input	IEC320-C6 / IEC320-C8 / IEC320-C14 available					
SAFETY	CB cULus FCC RCM CE PSE BSMI						
CE	EMC	2014/30/EU					
	LVD	2014/35/EU EN 60950-1:2006+A11+A1+A12+A2					
WEIGHT	N.W.: 590g /pc						
	0.42 x 0.35 x 0.24 [m]						
PACKING	Box	24pcs / 1box					
		G.W.: 16.3 kg/box					

Mechanical case and cable specification:



Cable Type : Black UL1185 AWG16
(Wire + Plug)
Plug : $\phi 5.5 \times \phi 2.1 \times 12\text{mm}$
(Cannelure)

Cable Length : 1500mm
Case Dimension : 168.1mm(L)*65.9mm(W)*39mm(H)
Material Flammability : UL 94V-0
External Apperance : As drawing below (Scale → mm)



Output Cable Plug Pin Assignment



Country of Origin : China
 Operating Temperature : 0~40 [°C]
 Dimension : 175 x 74 x 42 [mm]
 Suitable power cable : IEC320-C13
 Efficiency level (ErP) : VI



Approvals / Marks :



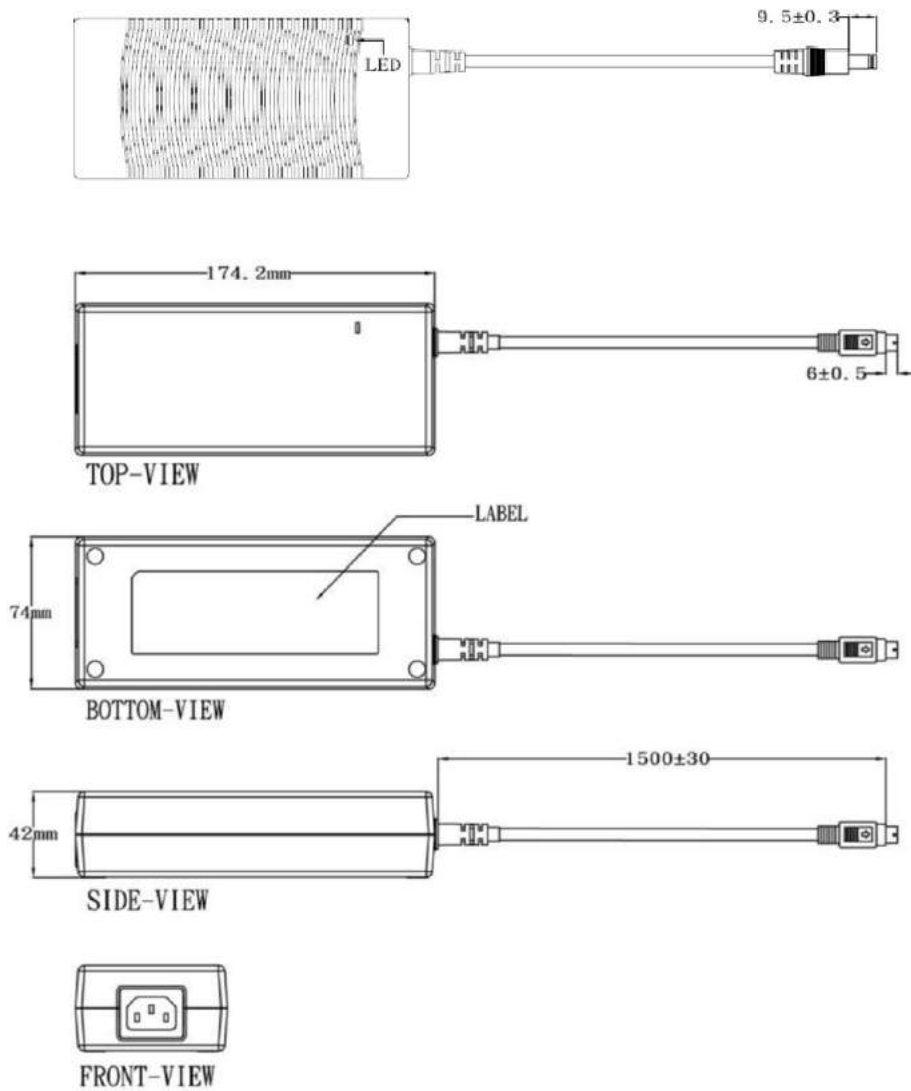
Features:

Wide input range AC 100 V to 240 V / 50 Hz to 60 Hz	Single Output to 160W Regulated Output with Low Ripple Noise
Meets Safety Agency Requirements and Complies EMI/EMS	Meets Energy Star Level V & ERP Stage 2 Compliance
Choose from different input connectors: IEC320-C14 or IEC320-C6	Modified and Custom Designs Available
Standard DC output connector: Mini-DIN-plug (4pin) or customer requirement	

Specification:

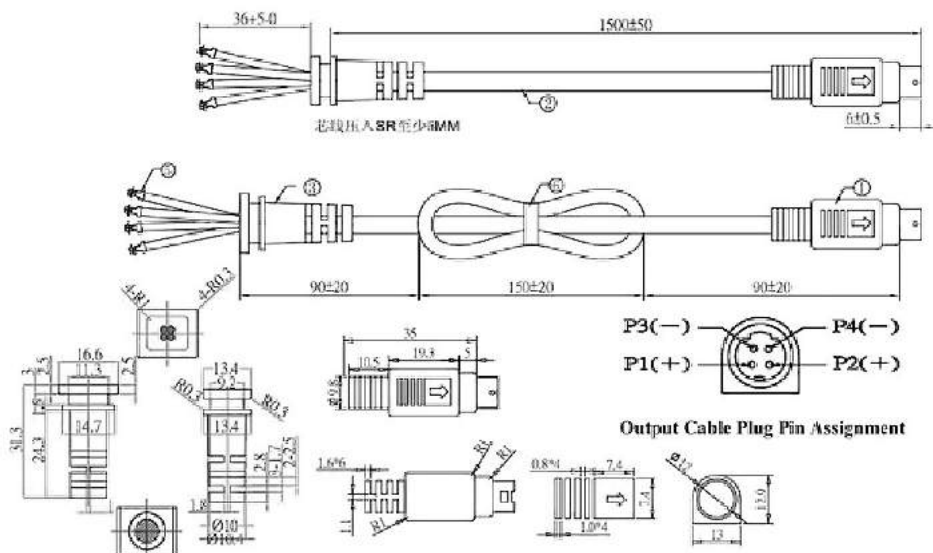
	Model	Voltage DC [V]	Loading [A]	Tolerance [%]	Max. Power [W]	Ripple & Noise [mV] p-p	Connector [mm]
	DRST-15012-T3	12	0~12.5	±5	150	1%~2% x V	4PIN DIN
	DRST-16019-T3	19	0~8.40	±5	160	-	-
	DRST-16024-T3	24	0~6.60	±5	160	-	-
	DRST-16048-T3	48	0~3.30	±5	160	-	-
	DRST-16056-T3	56	0~2.90	±5	160	-	-
INPUT	Voltage	(100 ~ 240) VAC					
	Frequency	(50 ~ 60) Hz					
	Current (rms max)	2.2 A max.					
	Protection	Internal Primary Current Fuse, Inrush Limiting					
OUTPUT	Load Regulation	± 5 % (typical)					
	Ripple	1 % – 2 % V p-p max. for output voltage at full load					
	Transient Response	0.5 ms for 50 % load change typical					
	Leakage Current	0.25 mA max.					
	Protection	Short circuit Protection • Over Voltage Protection • Over Current Protection					
OTHERS	Cooling	Free air convection					
	Efficiency	DoE Level VI • Energy Star • ErP Stage 2 • NRCan & GEMS Level VI Certified					
	Holdup time	10 ms @ full load					
	Dielectric Withstand	3000 VAC Primary – Secondary					
	MTBF Qualification	300,000 calculated hours at 25 °C by telcordia SR-332					
ENVIRONMENT	Temperature	Operating: (0 ~ 40)°C / Storage: (-20 ~ 80)°C					
	Humidity	Operating: 20% ~ 80% RH / Storage: 10% ~ 90% RH non condensing					
CONNECTION	Output	Standard DC plug: Mini-DIN-plug (4pin) UL2464, 18AWG / 16AWG or customer requirement					
	Input	IEC320-C14 / IEC320-C6 available					
SAFETY	CB cULus FCC RCM CE PSE BSMI						
CE	EMC	2014/30/EU					
	LVD	2014/35/EU EN 60950-1:2006+A11+A1+A12+A2					
WEIGHT		N.W.: 700g /pc					
PACKING	Box	0.39 x 0.47 x 0.29 [m]					
		15 pcs / 1box G.W.: 12kg/box					

Mechanical case specification:



Cable specification:

P1= (+V) | P2= (+V) | P3= (-V) | P4= (-V) | SHIELD=Not Connected



Country of Origin : China
 Operating Temperature : 0~40 [°C]
 Dimension : 183 x 81 x 42 [mm]
 Suitable power cable : IEC320-C13
 Efficiency level (ErP) : VI



Approvals / Marks :



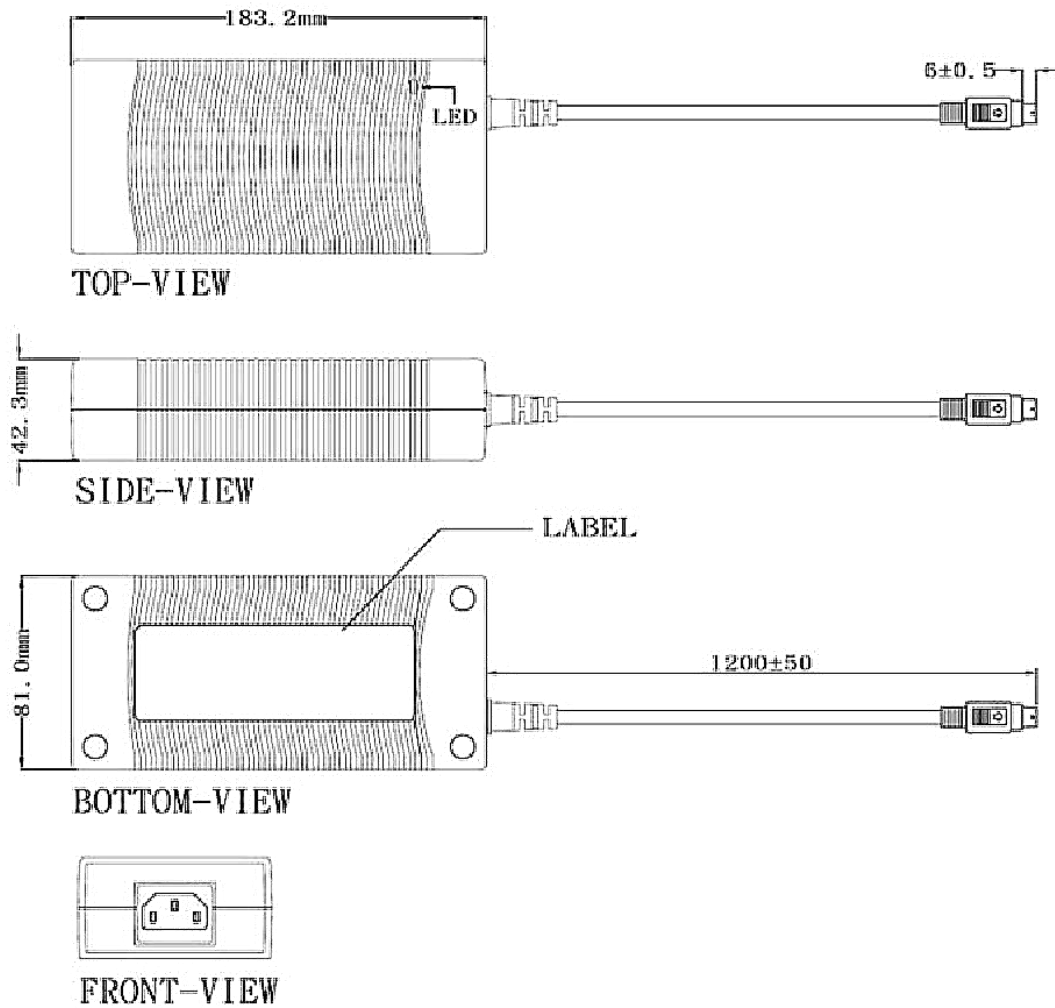
Features:

Wide input range AC 100 V to 240 V / 50 Hz to 60 Hz | High frequency design , less power consumption.
 Overvoltage, Short Circuit, Over Temperature & Over Current Protection
 Choose from different input connectors: IEC320-C14 or IEC320-C6 | Optional Power On / Power Off switch available
 Standard DC output connector: Mini-DIN-plug (4pin) or customer requirement

Specification:

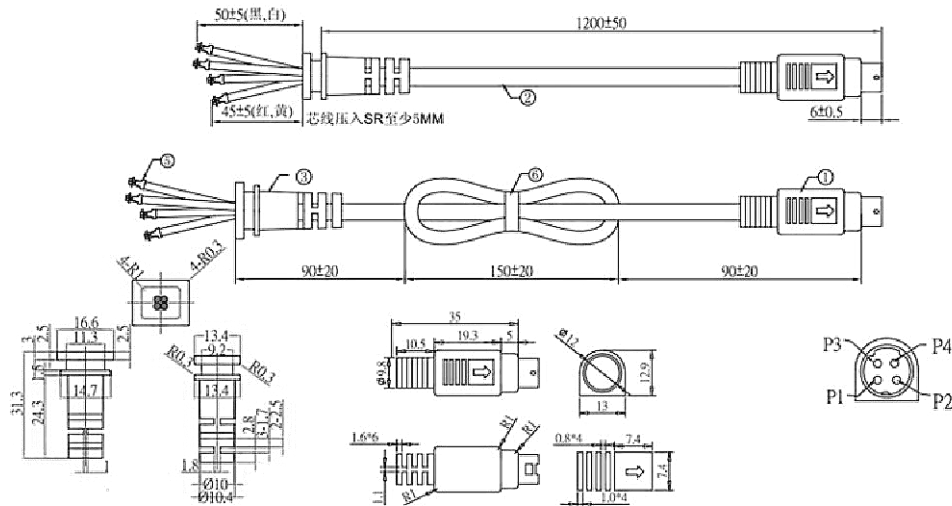
	Model	Voltage DC [V]	Loading [A]	Tolerance [%]	Max. Power [W]	Ripple & Noise [mV] p-p	Connector [mm]
	DRST-19212-T3	12	0~16.0	±5	192	3%~5% x V	4PIN DIN
	DRST-20024-T3	24	0~8.3	±5	200	3%~5% x V	4PIN DIN
INPUT	Voltage	(100 ~ 240) VAC					
	Frequency	(50 ~ 60) Hz					
	Current (rms max)	2.8 A max.					
	Protection	Internal Primary Current Fuse, Inrush Limiting					
OUTPUT	Load Regulation	± 5 % (typical)					
	Ripple	1 % – 2 % V p-p max. for output voltage at full load					
	Transient Response	0.5 ms for 50 % load change typical					
	Leakage Current	0.25 mA max.					
	Protection	Short circuit Protection • Over Voltage Protection • Over Current Protection					
OTHERS	Cooling	Free air convection					
	Efficiency	DoE Level VI • Energy Star • ErP Stage 2 • NRCan & GEMS Level VI Certified					
	Holdup time	10 ms @ full load					
	Dielectric Withstand	AC 3000 V Primary – Secondary					
	MTBF	300,000 calculated hours at 25 °C by Telcordia SR-332					
	Cable Type & Length	Black UL2464 AWG16 * 2C / 1500mm					
ENVIRONMENT	Temperature	Operating: (0 ~ 40)°C / Storage: (-20 ~ 80)°C					
	Humidity	Operating: 20% ~ 80% RH / Storage: 10% ~ 90% RH non condensing					
SAFETY	CB cULus FCC TUV/GS CE PSE						
CE	EMC	2014/30/EU					
	LVD	2014/35/EU EN 60950-1:2006+A11+A1+A12+A2					
WEIGHT		N.W.: 850g /pc					
PACKING	Box	0.39 x 0.47 x 0.29 [m]					
		15pcs / 1box G.W.: 14 kg/box					



Mechanical case specification:



Cable specification:

P1= (+V) | P2= (+V) | P3= (-V) | P4= (-V) | SHIELD=Not Connected



Country of Origin : China
 Operating Temperature : 0~40 [°C]
 Dimension : 86 x 36 x 26 [mm]
 Suitable cable : IEC320-C7
 Efficiency level (ErP) : 
 Approvals / Marks : 



Features:

Single Output.	
Wide input voltage (100~240)VAC with IEC 320-C8 Inlet.	High Performance.
Overload & Short circuit protection.	For I.T.E. use only + RoHS conform.


Specification :

	Model	Voltage DC [V]	Loading [A]	Tolerance [%]	Max. Power [W]	Connector UL Approved [mm]
Erp V.	STAC-4019-T2	19	0~2.10	±5	40	2.5x5.5x11-L
	STAC-4019-T2	19	0~2.10	±5	40	1.7x5.5x11-L
OEM Production						
INPUT	Voltage	(100 ~ 240)VAC				
	Frequency	(47 ~ 63) Hz				
	Current	max. 1.5A				
	Inrush Current	Maximum inrush current shall be less than 30A at 240Vac input.				
	Efficiency	70% Min. measured at 240Vac input voltage, maximum load and uninclude the DC cable loss.				
PROTECTION	Over Current	Yes				
	Over Voltage	Yes				
	Over Temperature	Yes, The power supply shall be protected when the temperature inside over 105°C				
	Short Circuit	Yes, The adapter is protected when a short happened between the output terminals and shall not result in a fire hazard, any damage to this adapter and will be normal operation automatically while the short is removed.				
OTHERS	Startup time	-				
	Material case	PC. Class 94V-0				
	Protective earthing	Class II.				
	Dielectric Withstand Voltage(HI-POT)	100% of line products of this adapter shall be applied 3000VAC or 4242VDC for a minimum of 1 minute between AC input terminals and output terminals. The cut off current is specified as 10mA.				
	Insulation Resistance	The resistance is more than 100MΩ at apply 500 VDC between input terminals and Case. The resistance is more than 100MΩ at apply 500 VDC between input terminals and output terminals.				
ENVIRONMENT	Temperature	(0 ~ 45)°C				
	Humidity	10% ~ 90% RH				
CONNECTION	Input	IEC 320-C8 (Suitable cable: IEC 320-C7)				
	Output	It depends on customer and upon specifications.				
	DC cable	3A BLACK 1.5M±10cm, center positive				
SAFETY	CE					
CE	The adapter meet EN60950					
WEIGHT	N.W.: 0.14 kg/pc					
	0.48 x 0.33 x 0.39 [m]					
PACKING	Box	50pcs / 1box				
	G.W.: 11 kg/box					

Country of Origin : China
 Operating Temperature : 0~40 [°C]
 Dimension : 132 x 57 x 16.5 [mm]
 Efficiency level (ErP) :
 Approvals / Marks :



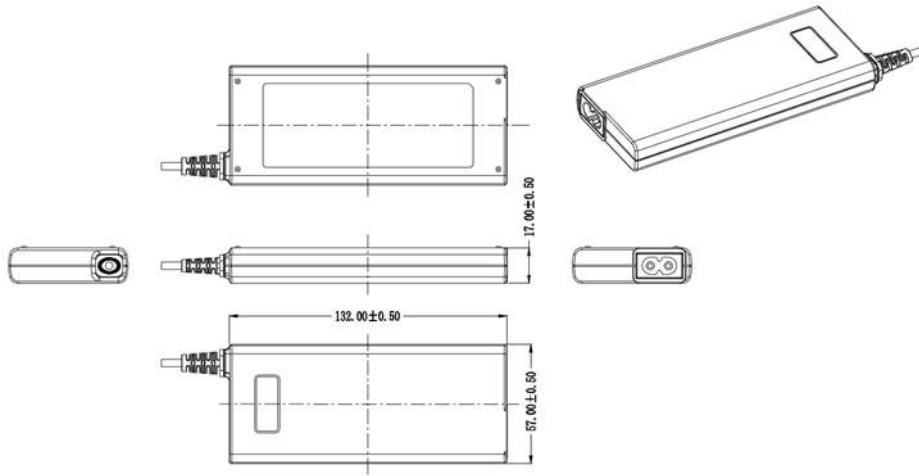
Features:

Green Product = High efficiency circuitry that generates little heat : CEC V.	Available in inlet version: C8 (T2) 
Extra safe design Built-in EMI filter Super Slim Model <17mm Perfect protection function.	
Simple design philosophy.	
For I.T.E. use only + RoHS conform + Green Power	

Specification:

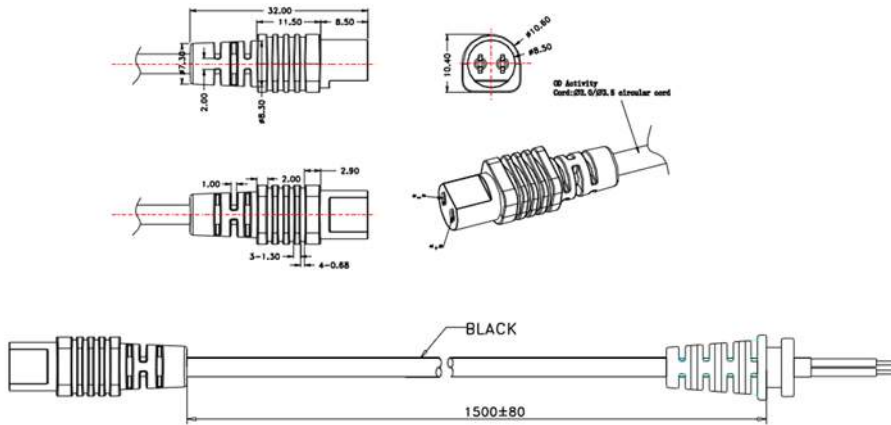
	Model	Voltage DC [V]	Loading [A]	Line/Road regulation [%]	OVP [V]	OCP [A]	Max. Power [W]	Ripple & Noise [mV] p-p	Connector [mm]
ErP V.	SKAC-6519-ST2	19	0.05~3.42	±5	-	-	65	300	1.7x5.5x11
OEM Production	The product is certified for output voltage (16~24)V by 0.1V step for maximum output power 65W								
OUTPUT	Turn on delay	6000 ms max @ AC low line input@output full load							
	Hold up time	10ms min @ AC nominal input@ output full load (> half cycle)							
	Rise time	<20ms to rise to within regulation limits for all DC outputs							
	Efficiency (Normal)	>87% (Level V) @ 240VAC input & Full load							
	Over-shoot	<7% of nominal voltage value							
	Output LED	No							
INPUT	Voltage, operating range	(90 ~ 264)VAC							
	Frequency	(47 ~ 63) Hz							
	Current	1.5A rms @ AC low line input and DC output full load							
	Inrush Surge Current (cold start)	80A max @ power supply cold start, ambient temperature 25°C @ 230Vac nominal AC input.							
	Leakage current	≤0.25 mA Max.							
	Maximum input power	74.69W							
	Power consumption	0.5W rms max.							
PROTECTION	Over Current	The power supply will be protection when output power at (110-200)% of all rated dc output							
	Short-circuit	The adapter shall not damage and with auto recovery function by short the DC output to Ground							
	Over Voltage	28.5V max. The output voltage shall be clamped by internal protection zener							
	Input protection	An adequate internal fuse on the AC input line is provide							
	Insulation resistance	Input to Output: 10MΩ(MIN.) at 500VDC							
	Dielectric Strength (Hi-pot)	Primary to Secondary: 3000VAC / 5mA / 60s							
	Reinforced insulation system	Primary-to-Ground and Primary-to-Secondary							
	Protection class	II.							
OTHERS	M.T.B.F	500,000 Calculated Hours at 25°C, by Telcordia SR-332							
	Cable length	1500mm (5feet) VW-1 80°C 300V 1185 3.5Q 18AWG Black (PAHS, REACH) round cable or depends on customer requirements							
	Cooling method	By natural air, the maximum room ambient temperature for externap PSU is 40°C (mentioned in clause 1.4.12 of IEC 60950-1)							
	Housing matherial	PPHOX (UL94V-1 SE-1) Black							
	Temperature coefficient:	< ±0.5% / °C							
ENVIRONMENT	Temperature	Operating: (0 ~ 40)°C / Storage: (-20 ~ 80)°C							
	Humidity	Operating: 10% ~ 90% RH / Storage: 10% ~ 90% RH non condensing							
SAFETY	CE TUV/GS cULus FCC								
EMC	UL 60950 TUV/VDE-EN60950 CE EN 60950-1								
WEIGHT	1pc	N.W.: 242g G.W.: 265g							
		0.51(L) x 0.36(W) x 0.19(H) [m]							
PACKING	Box	45 pcs / 1box							
		G.W.: 12.8kg							

Mechanical case specification:

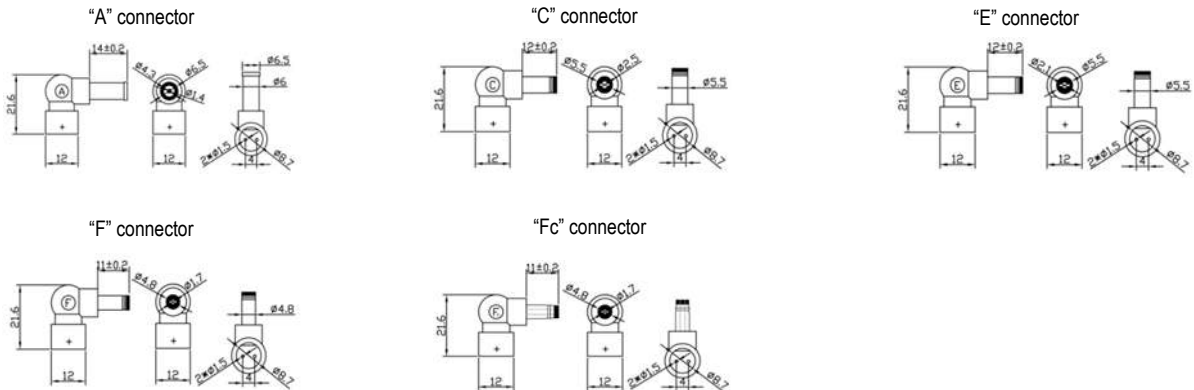







Cable specification:

a) UNI type (1185/18AWG*1C)




b) Detailed specification of UNI connectors



Country of Origin : China
 Operating Temperature : 0~40 [°C]
 Dimension : 153 x 67 x 18.5 [mm]
 Efficiency level (ErP) : 
 Approvals / Marks :    



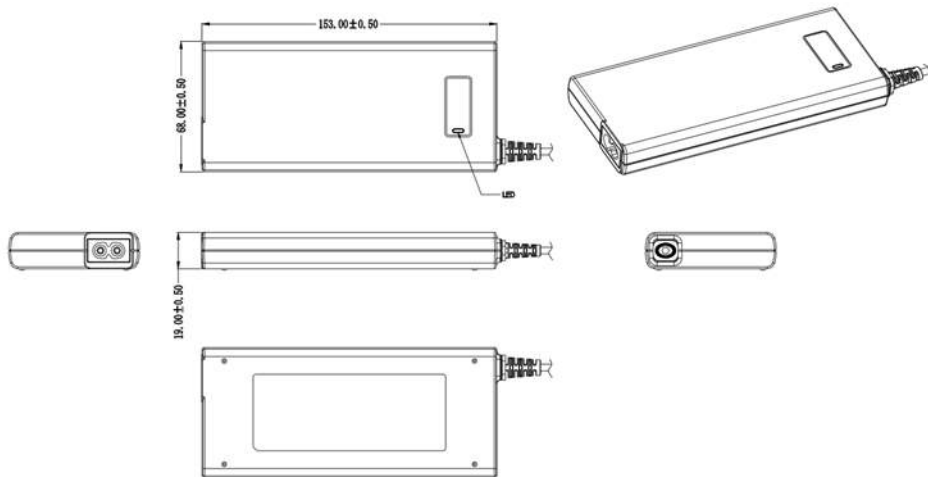
Features:

Green Product = High efficiency circuitry that generates little heat : CEC V.	Available in inlet version: C8 (T2) 
Extra safe design Built-in EMI filter Super Slim Model <17mm Perfect protection function.	
Simple design philosophy. Super SLIM design	
For I.T.E. use only + RoHS conform + Green Power	

Specification:

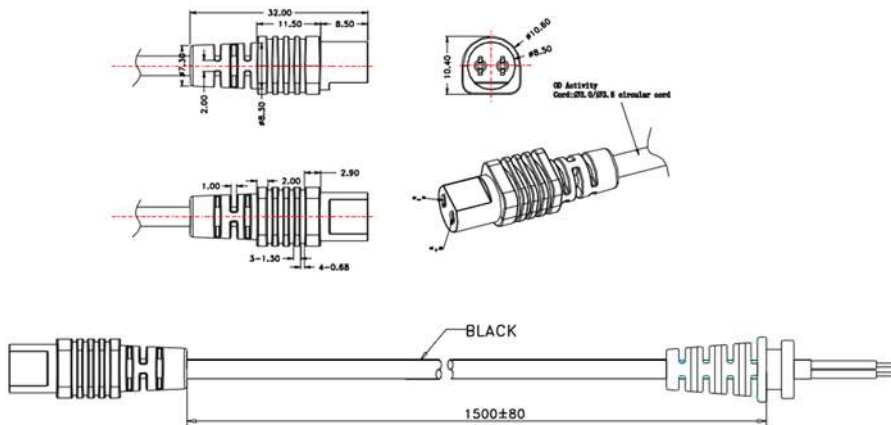
	Model	Voltage DC [V]	Loading [A]	Line/Road regulation [%]	OVP [V]	OCP [A]	Max. Power [W]	Ripple & Noise [mV] p-p	Connector [mm]		
ErP V	SKFS-9020-ST2	20	0.05~4.50	±5	-	-	90	300	2.5x5.5x11		
OUTPUT	Rated Input Current	1.3A max.									
	Input current (no loading)	≤40mA									
	Turn on delay	3000 ms max @ AC low line input@output full load									
	Hold up time	10ms min @ AC nominal input@ output full load (> half cycle)									
	Rise time	<30ms to rise to within regulation limits for all DC outputs									
	Efficiency (Normal)	Output LED	>87% (Level V) @ 240VAC input & Full load								
	Over-shoot	<7% of nominal voltage value									
INPUT	Voltage, operating range	(90 ~ 264)VAC									
	Current	Frequency	1.3A rms @ AC low line input and DC output full load								
	Inrush Surge Current (cold start)	80A max @ power supply cold start, ambient temperature 25°C @ 230Vac nominal AC input.									
	Leakage current	≤0.25 mA Max.									
	Maximum input power	103.52W									
	Power consumption	0.5W rms max.									
PROTECTION	Over Current	The power supply will be protection when output power at (110-200)% of all rated dc output									
	Short-circuit	The adapter shall not damage and with auto recovery function by short the DC output to Ground									
	Over Voltage	28.5V max. The output voltage shall be clamped by internal protection zener									
	Input protection	An adequate internal fuse on the AC input line is provide									
	Insulation resistance	Input to Output: 10MΩ(MIN.) at 500VDC									
	Dielectric Strength (Hi-pot)	Primary to Secondary: 3000VAC / 5mA / 60s									
	Reinforced insulation system	Primary-to-Ground and Primary-to-Secondary									
OTHERS	Protection class	II.									
	M.T.B.F	500,000 Calculated Hours at 25°C, by Telcordia SR-332									
	Cable length	1500mm (5feet) VW-1 80°C 300V 1185 3.5Q 18AWG Black (PAHS, REACH) round cable or depends on customer requirements									
	Cooling method	By natural air, the maximum room ambient temperature for external PSU is 40°C (mentioned in clause 1.4.12 of IEC 60950-1)									
	Housing matherial	PPHOX (UL94V-1 SE-1) Black									
ENVIRONMENT	Temperature coefficient:	< ±0.5% / °C									
	Temperature	Operating: (0 ~ 40)°C / Storage: (-40 ~ +80)°C									
	Humidity	Operating: 5% ~ 90% RH / Storage: 5% ~ 90% RH non condensing									
SAFETY	CE TUV/GS cULus FCC										
EMC	UL 60950 TUV/VDE-EN60950 CE EN 60950-1										
WEIGHT	1pc	N.W.: 309g G.W.: 342g									
PACKING	Box	0.41(L) x 0.41(W) x 0.19(H) [m]									
		30 pcs / 1box									

Mechanical case specification:

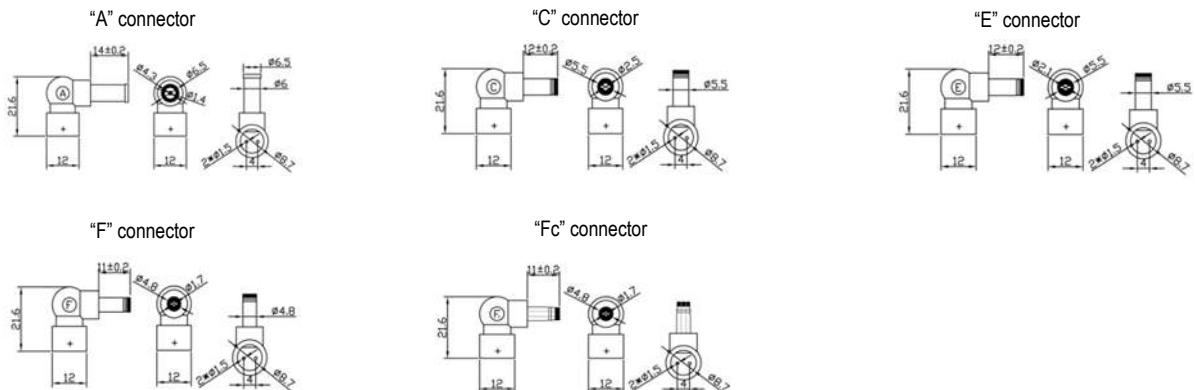


Cable specification:

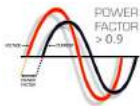
a) UNI type (1185/18AWG*1C)



b) Detailed specification of UNI connectors



Country of Origin : China
 Operating Temperature : 0~40 [°C]
 Dimension : 93.5 x 46 x 37.7 [mm]
 Certified AC Plugs: EU, UK, USA/Japan, Australia, China
 Efficiency level (ErP) :



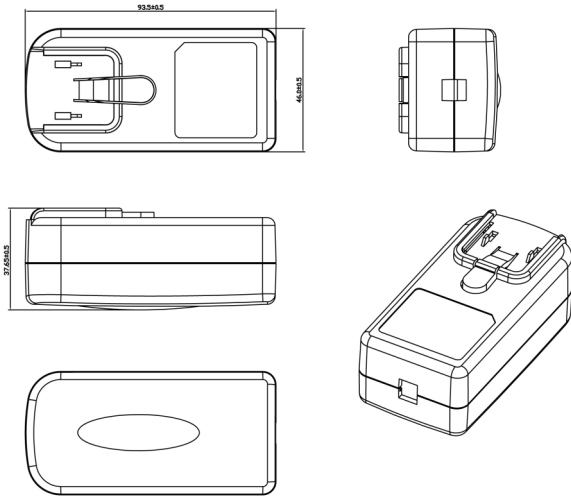
Features:

Wall-mount LED Driver with Exchangeable AC Plugs.	For LED applications use only
Wide range Input (90 ~ 264) VAC / (47 ~ 63) Hz.	RoHS conform
Customer can choose one or more certified plugs Wxx*(W2E, W2, W3U, W2A, W2C).	
Output connector: standard: 2.1 x 5.5 x 11mm or customer requirement.	

Specification:

	Model	Voltage DC [V]	Loading [A]	Line/Road regulation [%]	Over Current [A]	Over Voltage [V]	Max. Power [W]	Ripple / Noise [mV] p-p	Connector UL approved [mm]
ErP V.	SYL1460-2412-Wxx*	12	0.01~2.00	5	2.05 ~ 3.5	< 20	24	250	2.1x5.5x11
	SYL1460-2415-Wxx*	15	0.01~1.60	5	1.65 ~ 3.0	< 25	24	250	2.1x5.5x11
	SYL1460-2424-Wxx*	24	0.01~1.00	5	1.05 ~ 2.0	< 40	24	300	2.1x5.5x11
*Wxx	Possible to order with	Wxx =W2E - Europe W2 - USA,Canada W3U - UK W2A - Australia W2C - China							
INPUT	Voltage	(90 ~ 264) VAC							
	Frequency	(47 ~ 63) Hz							
	Current	0.5A rms@ AC low line input and DC output full load							
	Inrush Current (cold start)	60Amax. @ LED Driver cold start, ambient temperature 25°C @230Vac nominal AC input.							
	Leakage current	0.25 mA max.							
PROTECTION	Over Current	The LED Driver will self-protect any output to ground, And auto recovery when abnormal circuit faults remove.							
	Over Voltage	The LED Driver will not be auto recovered when faults remove							
	Short Circuit	Is defined as any output impedance of less than 0.1Ω. The LED Driver will be auto recovered when short circuit faults remove.							
OTHERS	Efficiency (typical)	≥82.1% @ full load according upon spec							
	Power factor	0.9 min At AC nominal input @ output full load							
	Standby Power	0.3W rms max. At AC nominal input @ output min load							
	Cooling	Free air convection							
	M.T.B.F.	500,000 Calculated Hours at 25°C, by Telcordia SR-332							
	HI-POT	IEC 320 2pin primary to secondary 3750Vac 10mA 1min							
ENVIRONMENT	Temperature	Operating: (0 ~ 40)°C / Storage: (-20 ~ 85)°C							
	Humidity	Operating: 8% ~ 90% RH non condensing / Storage: 5% ~ 95% RH non condensing							
CONNECTION	Input	Plugs: EU, UK, US, AUS, China (exchangeable)							
	Output	Plug standard center '+' or customer requirement // Cable length 1,8m							
SAFETY	CE MM Mark F Mark CB FCC EN61347-2-13								
CE	EMC	2014/30/EU							
	LVD	2014/35/EU EN 60950-1:2006+A11+A1+A12+A2							
WEIGHT	1pc	N.W.: 156 g/pc + plug							
PACKING	Box	0.42 x 0.38 x 0.27 [m]							G.W.: - kg/box
		63pcs / 1box – provide without plugs / plugs are separately							

Mechanical case specification:

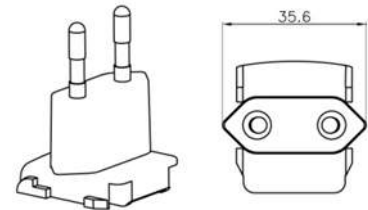
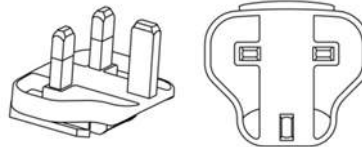
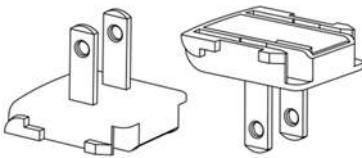


Mechanical specification (country housing):

US / Japan type (W2)

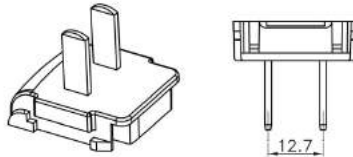
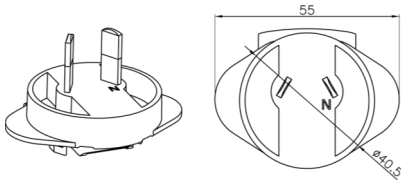
UK type (W3U)

Europe type (W2E)

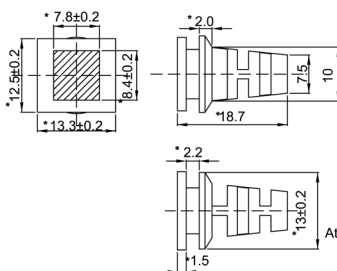
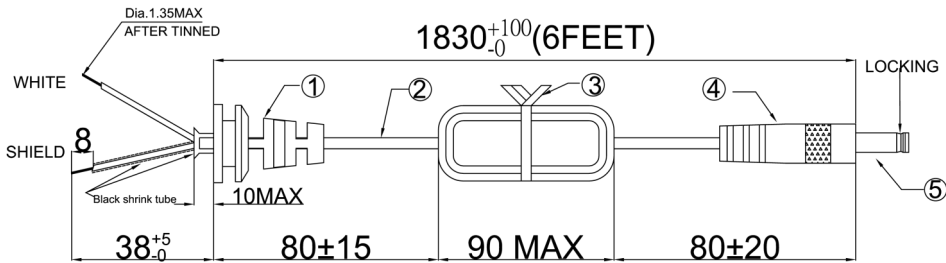


Australia type (W2A)

China type (W2C)




Cable specification:



Attention:
 1. Mark " *** " It is the key size
 2. Specification and size of the material of line
 3. Wiring way

5	FEMALE BARREL/SPRING LOADED/ LOCKING/ YELLOW	1 PC	2.1(+0.1/-0)*5.5(+/-0.05) *11(+/-0.3)
4	PLUG P073	1 PC	
3	MINI TIE=130mm BLACK	1 PC	
2	CORD MATERIAL:1185#20*1C+SHIELD PVC. BLACK 80°C	1 PC	UL APPROVAL
1	SR18	1 PC	

* WHITE(+V) ——— SHIELD(-V)

Country of Origin : China
 Operating Temperature : 0~40 [°C]
 Dimension : 115 x 36 x 30 [mm]
 Car adapter : DC-DC convertor
 Approvals / Marks : 



Features:

Car adapter for notebook can be used in cars only (12V cigarette plug).

The set of five universal connectors. Ready for use with most of notebook brands using right choice of the DC connector size (Fujitsu Siemens, HP, Dell, IBM, Acer, Asus, Toshiba, SONY, Compaq etc.).

Output current & output voltage protection.

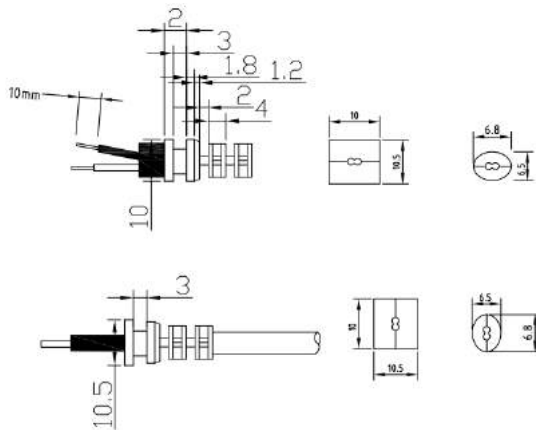
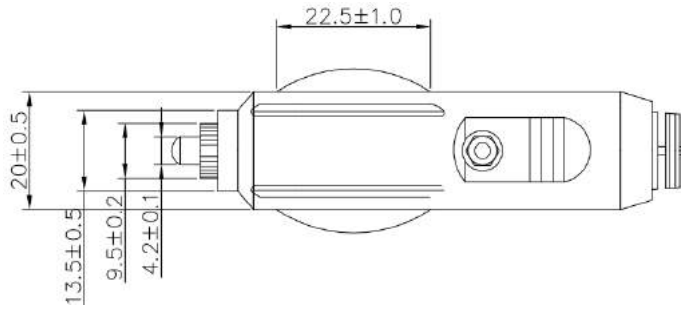
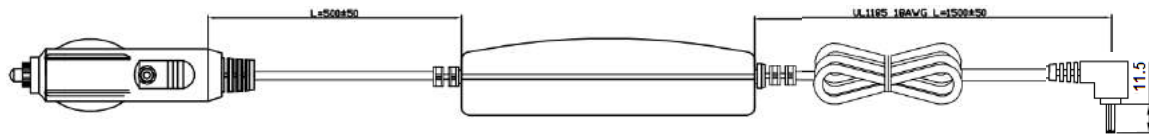
Input range (9 ~ 16)VDC. Power ON – Green LED.


For I.T.E. use only + RoHS conform.

Specification:

	Model	Voltage DC [V]	Min. Load [A]	Max. Load [A]	Efficiency [%]	Max. Power [W]	Ripple & Noise [mV]p-p max.	Connector [mm]
	YJIB-9020-C12	20	0	4.5	88	90	<240	5.5x7.9x11
INPUT	Voltage	(9 ~ 16)VDC						
	Input Current	11Amps max at any input voltage rated, DC output rated load.						
	Line/Load regulation	±3%/±5%						
	DC cable & connector	0.22m + cigarette lighter						
	Power Efficiency	88%						
	Input Fuse	15A protected against power line surges and any abnormal conditions						
OUTPUT	DC cable & connector	10A BLACK Standard length of the cable 1.5M±10cm & upon specification or customer requirements.						
	Power ON Led	Yes (Green @ adapter)						
PROTECTION	Short Circuit	The power supply will be auto recovered when short circuit faults remove.						
	Over Current	The power supply will be auto recovered when over current faults remove.						
	Insulation Resistance	-						
ENVIRONMENT	Cooling	The adapter is convention cooled only.						
	Temperature	Operating: (0 ~ 40)°C / Storage: (-10 ~ 80)°C						
	Humidity	Operating: (5 ~ 90)% RH / Storage: (5 ~ 90)% RH non condensing 72hrs						
OTHERS	Case material	-						
SAFETY	CE							
CE	EMC	2014/30/EU						
	LVD	2014/35/EU						
WEIGHT	1pc	N.W.: 0.173kg / pc G.W.: 0.214kg/pc						
		0.33 x 0.35 x 0.38 [m]						
PACKING	Box	50pcs / 1box						
		G.W.: 11.5 kg / box						

Mechanical case specification:



Country of Origin : China
 Operating Temperature : 0~40 [°C]
 Dimension : 105 x 40 x 25 [mm]
 Car adapter : DC-DC convertor
 Approvals / Marks : 



Truck 24 V



Car 12 V



Features:

Car adapter for notebook can be used in cars and trucks (12V or 24V cigarette plug).

Output current & output voltage protection.

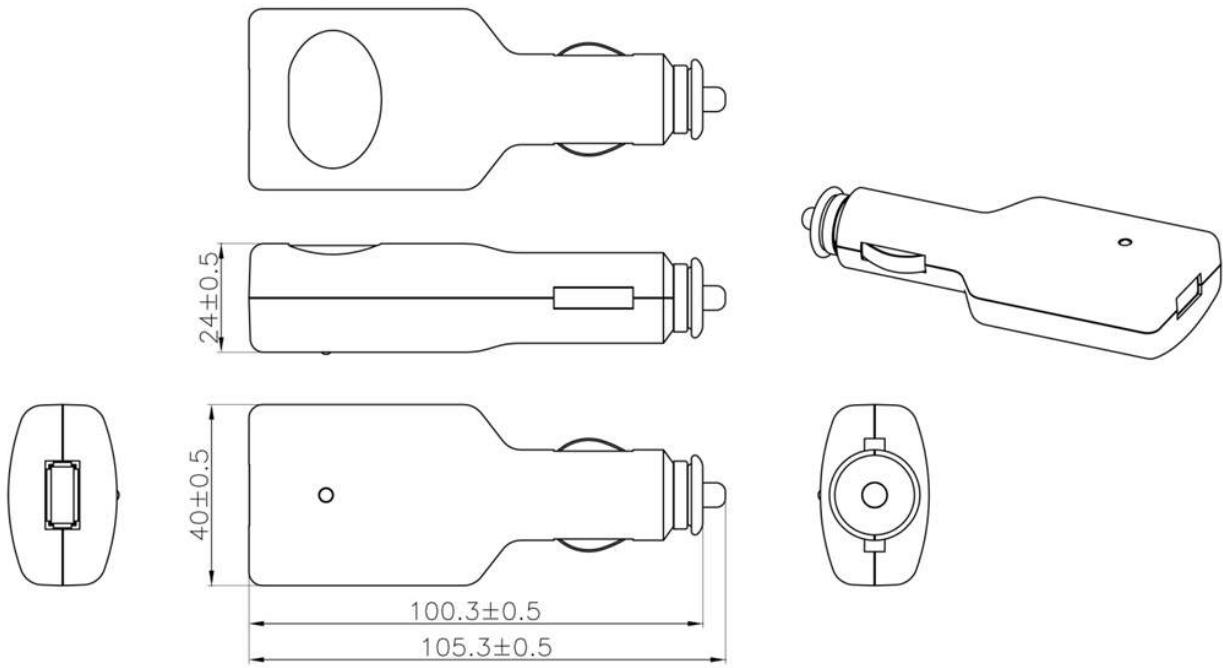
Input range (10 ~ 30)VDC. Power ON – Green LED.


For I.T.E. use only + RoHS conform. | For iPhone / iPad and other

Specification:

ErP V.	Model	Voltage DC [V]	min. Load [A]	max. Load [A]	Efficiency [%]	OCP [A]	Max. Power [W]	Ripple & Noise [mV]p-p max.	Connector [mm]
	SYD1151-1305-CUV	5.0	0	2.5	75	2.7-4.0	12.5	<200	USB inlet
(*)	Depends on customer request if USB inlet or DC cable with DC UL approved connector								
INPUT	Voltage	(10 ~ 30)VDC							
	Input Current	1.8 A rms max At low line input and DC output full load							
	Load regulation	±5%							
	Power Efficiency	75% typical At nominal input@ output full load							
	Input Fuse	T2AL/250V Fuse							
OUTPUT	DC cable & connector	-							
	Burn in test	2 Hours Full Load							
	Turn on delay	1000ms max At low line input@output full load							
	Power ON Led	Yes (Green – Power ON @ adapter)							
PROTECTION	Input	Fuse 3.15A The power supply shall be protected against power line surges and any abnormal condition.							
	Short Circuit	The power supply shall be protected from damage of accidentally when the I/P voltage is between 11Vdc and 32Vdc.the O/P short protection could be protected forever .input power do not Exceed 5W when output is shorted.							
	Over Current	Removal of an output overload conditions shall permit automatic recovery of the output voltage.							
	Over Voltage	Yes, Voltage limit, OVP range = 7.5V max							
ENVIRONMENT	Cooling	By nature air.							
	Temperature	Operating: (0 ~ 40)°C / Storage: (-20 ~ 85)°C							
	Humidity	Operating: (8 ~ 90)% RH / Storage: (5 ~ 95)% RH							
OTHERS	Case material	-							
	M.T.B.F.	500,000 Calculated Hours at 25°C, by Telcordia SR-332							
SAFETY	CE								
CE	EMC	2014/30/EU							
	LVD	2014/35/EU EN 60950-1:2006+A11+A1+A12+A2							
WEIGHT	1pc	N.W.: 40g / pc G.W.: 42g/pc							
		0.402 x 0.355 x 0.245 [m]							
PACKING	Box	280pcs / 1box							
		G.W.: 13.5 kg / box							

Mechanical case specification:



Country of Origin : China
 Operating Temperature : 0-25 [°C]
 Dimension : Ø88 x 26 [mm]
 Approvals / Marks : 


Features:

For any combination of iOS devices, tablets, smartphones and all other USB devices and accessories.

Powered by switching power supplies SYS1443 series

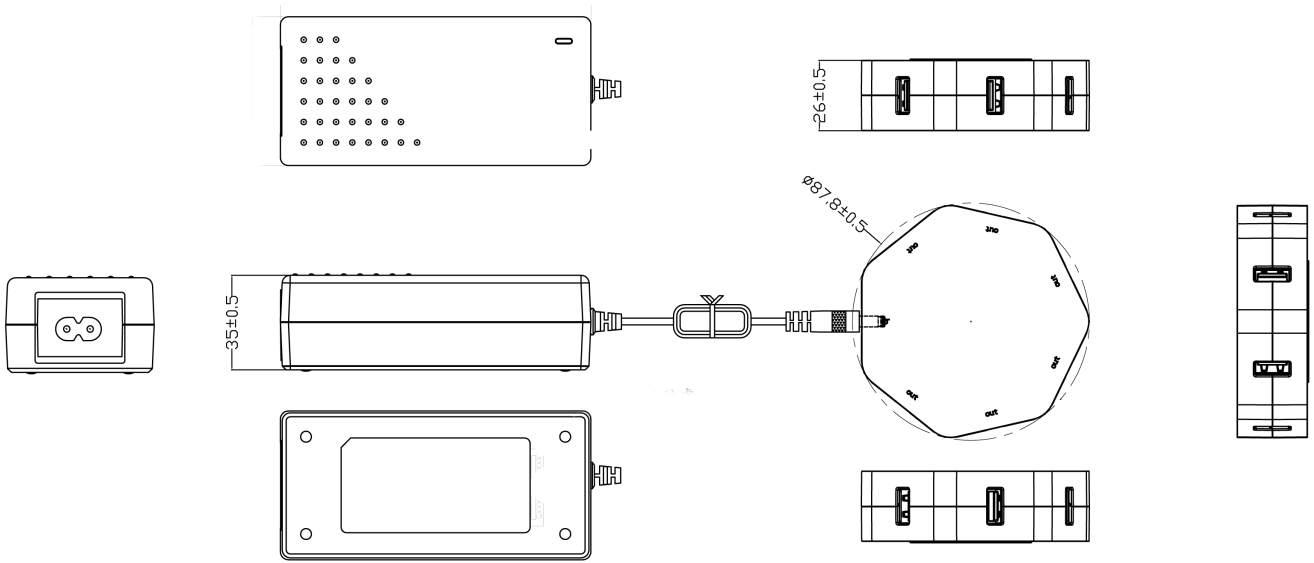
Input range (10 ~ 30)VDC.


RoHS conform.

Specification:

	Model	Voltage DC [V]	max. Load [A]	Efficiency [%]	OCP [A]	Max. Power [W]	Ripple & Noise [mV]p-p max.	Connector
ErP V.	SYD1181-3605	USB Port1 +5V USB Port2 +5V USB Port3 +5V USB Port4 +5V USB Port5 +5V USB Port6 +5V	7.2	80	2.5-3.0	36	<150	6 USB ports
INPUT	Voltage	(10 ~ 30)VDC						
	Input Current	5A rms max At low line input and DC output full load						
	Load regulation	±5%						
	Power Efficiency	80% typical At nominal input @ output full load						
OUTPUT	DC regulation	6 USB Ports = 1.2A / each port max 5 USB Ports = 1.44A / each port max 4 USB Ports = 1.8A / each port max 3 USB Ports = 2.4A / each port max 2 USB Ports = 2.4A / each port max 1 USB Port = 2.4A / port max						
	Burn in test	2 Hours Full Load						
	Turn on delay	2000ms max At low line input @ output full load						
PROTECTION	Input	Fuse 6.3A The power supply shall be protected against power line surges and any abnormal condition.						
	Short Circuit	The power supply shall be protected from damage of accidentally when the I/P voltage is between 12Vdc and 24Vdc.the O/P short protection could be protected forever . Input power do not Exceed 5W when output is shorted.						
	Over Current	Removal of an output overload conditions shall permit automatic recovery of the output voltage.						
	Over Voltage	Yes, Voltage limit, OVP range = 7.5V max						
ENVIRONMENT	Cooling	By nature air.						
	Temperature	Operating: (0 ~ 25)°C / Storage: (-20 ~ 85)°C						
	Humidity	Operating: (8 ~ 90)% RH / Storage: (5 ~ 95)% RH						
OTHERS	M.T.B.F.	500,000 Calculated Hours at 25°C, by Telcordia SR-332						
SAFETY	CE							
WEIGHT	1pc	N.W.: 85g / pc G.W.: 100g/pc						
		0.600 x 0.490 x 0.210 [m]						
PACKING	Box	100pcs / 1box						
		G.W.: 12 kg / box						

Mechanical specification:



Country of Origin : China
 Operating Temperature : 0-25 [°C]
 Dimension : 154 x 52 x 23 [mm]
 Approvals / Marks : 



Features:

For any combination of iOS devices, tablets, smartphones and all other USB devices and accessories.

Powered by switching power supplies SYS1443 series

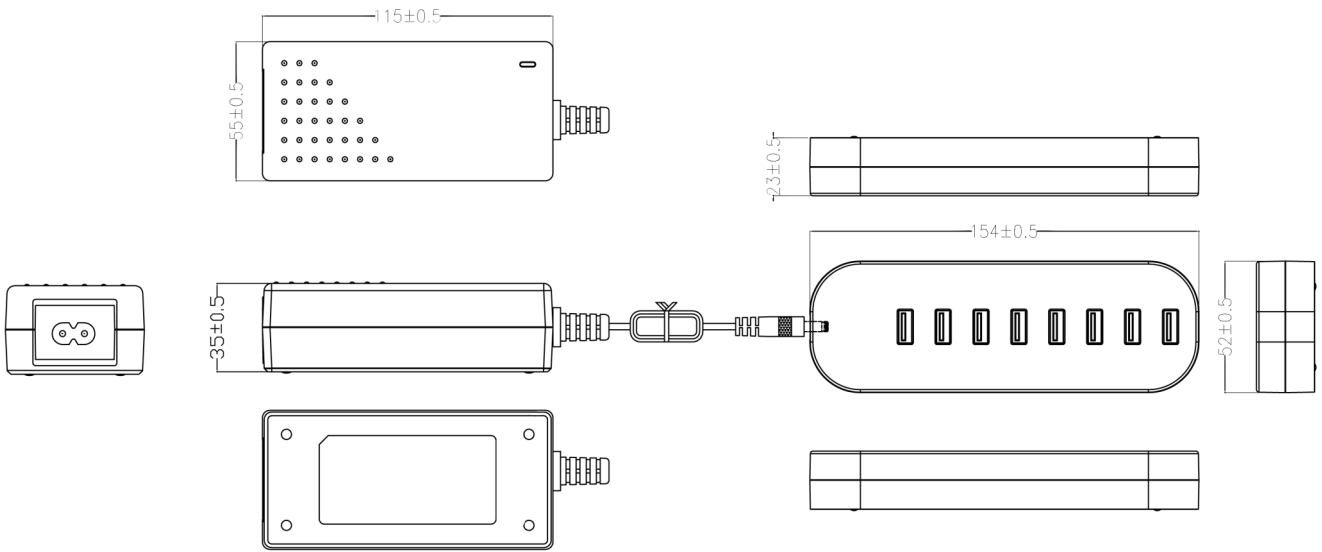
Input range (10 ~ 30)VDC.

RoHS conform.

Specification:

	Model	Voltage DC [V]	max. Load [A]	Efficiency [%]	OCP [A]	Max. Power [W]	Ripple & Noise [mV]p-p max.	Connector
ErP V.	SYD1182-4805	USB Port1 +5V USB Port2 +5V USB Port3 +5V USB Port4 +5V USB Port5 +5V USB Port6 +5V USB Port7 +5V USB Port8 +5V	9.6	80	2.5-3.0	48	<150	8 USB ports
INPUT	Voltage	(10 ~ 30)VDC						
	Input Current	5A rms max At low line input and DC output full load						
	Load regulation	±5%						
	Power Efficiency	80% typical At nominal input @ output full load						
OUTPUT	DC regulation	8 USB Ports = 1.2A / each port max 7 USB Ports = 1.3A / each port max 6 USB Ports = 1.6A / each port max 5 USB Ports = 1.9A / each port max 4 USB Ports = 2.4A / each port max 3 USB Ports = 2.4A / each port max 2 USB Ports = 2.4A / each port max 1 USB Port = 2.4A / port max						
	Burn in test	2 Hours Full Load						
	Turn on delay	2000ms max At low line input @ output full load						
PROTECTION	Input	Fuse 7.0A The power supply shall be protected against power line surges and any abnormal condition.						
	Short Circuit	The power supply shall be protected from damage of accidentally when the I/P voltage is between 12Vdc and 24Vdc.the O/P short protection could be protected forever. Input power do not Exceed 5W when output is shorted.						
	Over Current	Removal of an output overload conditions shall permit automatic recovery of the output voltage.						
	Over Voltage	Yes, Voltage limit, OVP range = 7.5V max						
ENVIRONMENT	Cooling	By nature air.						
	Temperature	Operating: (0 ~ 25)°C / Storage: (-20 ~ 85)°C						
	Humidity	Operating: (8 ~ 90)% RH / Storage: (5 ~ 95)% RH						
OTHERS	M.T.B.F.	500,000 Calculated Hours at 25°C, by Telcordia SR-332						
SAFETY	CE							
WEIGHT	1pc	N.W.: 120g / pc G.W.: 140g/pc						
		0.525 x 0.470 x 0.210 [m]						
PACKING	Box	90pcs / 1box						
		G.W.: 14.5 kg / box						

Mechanical specification:



IEC320-C5 (EU)

Country of Origin : China
 Operating Temperature : 0 ÷ 40 [°C]
 Length/cord : 1.8m / 3x0.75mm²
 Approvals : VDE

Application	For Class I. Appliances	
WEIGHT / PACKING	1pc	N.W.: 174g / pc
	Box	0.55 x 0.36 x 0.20 [m]
		100pcs / 1box
		G.W.: 19.0kg / box


IEC320-C5 (UK)

Country of Origin : China
 Operating Temperature : 0 ÷ 40[°C]
 Length/cord : 1.8m / 3x0.75mm²
 Approvals : ASTA

Application	For Class I. Appliances	
UK Plug	The British Standards 1363 plug (13A Plug) IS 401 and IS 411 (Ireland), MS 589 (Malaysia) and SS 145 (Singapore), and SASO 2203 (Saudi Arabia).	
Fuse	3A / 250V	
WEIGHT / PACKING	1pc	N.W.: 174g / pc
	Box	0.56 x 0.36 x 0.20 [m]
		90pcs / 1box
		G.W.: 19.7kg / box


IEC320-C5 (UL)

Country of Origin : China
 Operating Temperature : 0 ÷ 40 [°C]
 Length/cord : 1.8m / 3x0.75mm²
 Approvals : UL

Application	For Class I. Appliances	
UL Plug	American standard NEMA 5-15	
	Canadian standard CS22.2, n°42	
WEIGHT / PACKING	1pc	N.W.: 72g / pc
	Box	0.56 x 0.36 x 0.20 [m]
		100pcs / 1box
		G.W.: 16kg / box



IEC320-C7 (EU)

Country of Origin : China
 Operating Temperature : 0 ÷ 40 [°C]
 Length/cord : 1.8m / 2x0.75mm2
 Approvals : VDE

Application	For Class II. Appliances	
WEIGHT / PACKING	1pc	N.W.: 84g / pc
	Box	0.56 x 0.36 x 0.20 [m]
		200pcs / 1box
		G.W.: 17.7 kg / box


IEC320-C7 (UK)

Country of Origin : China
 Operating Temperature : 0 ÷ 40 [°C]
 Length/cord : 1.8m / 2x0.75mm2
 Approvals : ASTA

Application	For Class II. Appliances	
UL Plug	The British Standards 1363 plug (13A Plug) IS 401 and IS 411 (Ireland), MS 589 (Malaysia) and SS 145 (Singapore), and SASO 2203 (Saudi Arabia).	
Fuse	5A / 250V	
WEIGHT / PACKING	1pc	N.W.: 120g / pc
	Box	0.56 x 0.36 x 0.20 [m]
		100pcs / 1box
		G.W.: 14 kg / box


IEC320-C7 (UL)

Country of Origin : China
 Operating Temperature : 0 ÷ 40 [°C]
 Length/cord : 1.8m / 2x0.75mm2
 Approvals : UL

Application	For Class II. Appliances	
UL Plug	American standard NEMA 1-15	
WEIGHT / PACKING	1pc	N.W.: 72g / pc
	Box	0.56 x 0.36 x 0.20 [m]
		200pcs / 1box
		G.W.: 15.5 kg / box


IEC320-C7 (Aus)

Country of Origin : China
 Operating Temperature : 0 ÷ 40[°C]
 Length/cord : 1.8m / 2x0.75mm2
 Approvals : SAA

Application	For Class II. Appliances	
AUS Plug	Australia's standard AS/NZS 3112:2004	
WEIGHT / PACKING	1pc	N.W.: 113 g / pc
	Box	0.56 x 0.36 x 0.20 [m]
		150pcs / 1box
		G.W.: 17.5 kg / box



IEC320-C13 (Aus)

Country of Origin : China
 Operating Temperature : 0 ÷ 40 [°C]
 Length/cord : 1.8m / 3x0.75mm²
 Approvals : SAA, VDE, KEMA-KEUR, CEBEC, DEMKO, Intertek, Nemko, NCS/FI, SEV, ÖVE, IMQ, NF

Application	For Class I. Appliances	
WEIGHT / PACKING	1pc	N.W.: 197 g / pc
	Box	0.56 x 0.36 x 0.20 [m]
		150 pcs / 1box
		G.W.: 26 kg / box


IEC320-C13 (Brazil)

Country of Origin : China
 Operating Temperature : 0 ÷ 40 [°C]
 Length/cord : 1.8m / 3x0.75mm²
 Approvals : TUV, VDE, KEMA-KEUR, CEBEC, DEMKO, Intertek, Nemko, ENEC/FI, SEV, ÖVE

Application	For Class I. Appliances	
WEIGHT / PACKING	1pc	N.W.: 158g / pc
	Box	0.36 x 0.20 x 0.55 [m]
		100pcs / 1box
		G.W.: 16.7 kg / box


IEC320-C13 (Swiss)

Country of Origin : China
 Operating Temperature : 0 ÷ 40 [°C]
 Length/cord : 1.8m / 3x0.75mm²
 Approvals : SEV

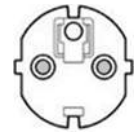
Application	For Class I. Appliances	
WEIGHT / PACKING	1pc	N.W.: 169g / pc
	Box	0.36 x 0.20 x 0.55 [m]
		100pcs / 1box
		G.W.: 19kg / box



IEC320-C13 (EU)

Country of Origin : China
 Operating Temperature : 0 ÷ 40[°C]
 Length/cord : 1.8m / 3x0.75mm²
 Approvals : VDE, KEMA-KEUR, CEBEC, DEMKO, Intertek, Nemko, NCS/FI, ÖVE, IMQ, NF, SEV

Application	For Class I. Appliances	
WEIGHT / PACKING	1pc	N.W.: 185g / pc
	Box	0.55 x 0.36 x 0.20 [m]
		90pcs / 1box
		G.W.: 18.2 kg / box


IEC320-C13 (UK)

Country of Origin : China
 Operating Temperature : 0 ÷ 40[°C]
 Length/cord : 1.8m / 3x0.75mm²
 Approvals : ASTA

Application	For Class I. Appliances	
Fuse	5A / 250V	
WEIGHT / PACKING	1pc	N.W.: 195g / pc
	Box	0.48 x 0.26 x 0.44 [m]
		75pcs / 1box
		G.W.: 12.5 kg / box


IEC320-C13 (UL)

Country of Origin : China
 Operating Temperature : 0 ÷ 40[°C]
 Length/cord : 1.8m / 3x0.75mm²
 Approvals : UL

Application	For Class I. Appliances	
WEIGHT / PACKING	1pc	N.W.: 72g / pc
	Box	0.56 x 0.36 x 0.20 [m]
		125pcs / 1box
		G.W.: 12.5 kg / box



IEC320-C13 (C)

Country of Origin : China
 Operating Temperature : 0 ÷ 40[°C]
 Length/cord : 1.8m / 3x0.75mm²
 Approvals : CCC

Application	For Class I. Appliances	
WEIGHT / PACKING	1pc	N.W.: 182g / pc
	Box	0.55 x 0.36 x 0.20 [m]
		90pcs / 1box
		G.W.: 18.2 kg / box



IEC320-C13 (AG)

Country of Origin : China
 Operating Temperature : 0 ÷ 40[°C]
 Length/cord : 1.8m / 3x0.75mm²
 Approvals : IRAM, VDE, CEBEC, KEMA-KEUR, DEMKO, Intertek, Nemko, NCS/FI, ÖVE, IMQ, NF, SEV

Application	For Class I. Appliances	
WEIGHT / PACKING	1pc	N.W.: 179g / pc
	Box	0.55 x 0.36 x 0.20 [m]
		90pcs / 1box
		G.W.: 18.0 kg / box



IEC320-C13 (Italy)

Country of Origin : China
 Operating Temperature : 0 ÷ 40[°C]
 Length/cord : 1.8m / 3x0.75mm²
 Approvals : VDE, KEMA-KEUR, CEBEC, DEMKO, Intertek, Nemko, ENEC/FI, SEV, ÖVE, IMQ, NF

Application	For Class I. Appliances	
WEIGHT / PACKING	1pc	N.W.: 158g / pc
	Box	0.36 x 0.20 x 0.55 [m]
		100pcs / 1box
		G.W.: 16.9 kg / box



Extension Cable Plug 20cm

Country of Origin : China
 Operating Temperature : 0 ÷ 40[°C]
 Length / cable type : 0.2 m / 20AWGX2C - 2468
 DC Connector 2.1x5.5x11 with center springs
 2.5x5.5x11 with center springs



WEIGHT	1pc	N.W.: 6g / pc
PACKING	Bunch	50pcs / 1bunch
		G.W.: 0.3 kg / bunch

Extension cable Plug 80cm

Country of Origin : China
 Operating Temperature : 0 ÷ 40[°C]
 Length / cable type : 0.8m / 20AWGX2C - 2468
 DC Connector : 2.1x5.5x11 with center springs
 2.5x5.5x11 with center springs



WEIGHT	1pc	N.W.: 16g / pc
PACKING	Bunch	20pcs / 1bunch
		G.W.: 0.32 kg / bunch

Extension cable Plug 1.5m

Country of Origin : China
 Operating Temperature : 0 ÷ 40[°C]
 Length / cable type : 1.5 m / 20AWGX2C - 2468
 DC Connector 2.1x5.5x11 with center springs



WEIGHT	1pc	N.W.: 27g / pc
PACKING	Bunch	10pcs / 1bunch
		G.W.: 0.27 kg / bunch

Extension cable Plug 3.0m

Country of Origin : China
 Operating Temperature : 0 ÷ 40[°C]
 Length / cable type : 3.0 m / 20AWG - 3.9/2RC
 DC Connector 2.1x5.5x11 with center springs



WEIGHT	1pc	N.W.: 81g / pc
PACKING	Box	5pcs / 1bunch
		G.W.: 0.41 kg / bunch

Extension Cable Plug 4.0m

Country of Origin :	China
Operating Temperature :	0 ÷ 40[°C]
Length / cable type :	4.0 m / 20AWG - 3.9/2RC
DC Connector	2.1x5.5x11 with center springs

WEIGHT	1pc	N.W.: 105g / pc
PACKING	Box	5pcs / 1bunch
		G.W.: 0.53 kg / bunch



Extension Cable Jack 20cm

Country of Origin : China
 Operating Temperature : 0 ÷ 40[°C]
 Length / cable type : 0.2 m / 20AWGX2C - 2468
 DC Connector 2.1x5.5x11
 2.5x5.5x11



WEIGHT	1pc	N.W.: 10g / pc
PACKING	Bunch	50pcs / 1bunch
		G.W.: 0.5 kg / bunch

Extension cable Jack 50cm

Country of Origin : China
 Operating Temperature : 0 ÷ 40[°C]
 Length / cable type : 0.5m / 20AWGX2C - 2468
 DC Connector : 2.1x5.5x11



WEIGHT	1pc	N.W.: 13g / pc
PACKING	Bunch	200pcs / 1bunch
		G.W.: 2.6kg / bunch

Extension Cable Jack 80cm

Country of Origin : China
 Operating Temperature : 0 ÷ 40[°C]
 Length / cable type : 0.8m / 20AWGX2C - 2468
 DC Connector : 2.1x5.5x11



WEIGHT	1pc	N.W.: 19g / pc
PACKING	Bunch	100pcs / 1bunch
		G.W.: 1.9 kg / bunch

Extension cable Jack 4.0m

Country of Origin : China
 Operating Temperature : 0 ÷ 40[°C]
 Length / cable type : 4.0m / 20AWG - 3.9/2RC
 DC Connector : 2.1x5.5x11



WEIGHT	1pc	N.W.: 108g / pc
PACKING	Bunch	5pcs / 1bunch
		G.W.: 0.54 kg / bunch

Extension Cable Jack to Plug 1.5m

Country of Origin : China
Length / cable type : 1.5m / 20AWG – 2464
Maximum Load: 5A max.
DC Connector types: Plug 2.1x5.5x11 with center springs & Jack 2.1x5.5x11

WEIGHT	1pc	N.W.: 49g / pc
PACKING	Bunch	10 [pcs]
		G.W.: 0.490 [kg]

**Extension Cable Jack to Plug 4.0m**

Country of Origin : China
Length / cable type : 4.0m / 20AWG – 2464
Maximum Load: 5A max.
DC Connector types: Plug 2.1x5.5x11 with center springs & Jack 2.1x5.5x11

WEIGHT	1pc	N.W.: 112g / pc
PACKING	Bunch	5 [pcs]
		G.W.: 0.560 [kg]



Extension Cable Plug to Plug 0.5m

Country of Origin : China
 Length / cable type : 0.5m / 20AWG – 1185 (2x0.35mm²)
 Maximum Load: 4.5A max.
 DC Connector types: Plug 2.1x5.5x11 with center springs

WEIGHT	1pc	N.W.: 21g / pc
PACKING	Bunch	150 [pcs]
		G.W.: 3.150 [kg]



Extension Cable Plug to Plug 1m

Country of Origin : China
 Length / cable type : 1m / 20AWG – 1185 (2x0.35mm²)
 Maximum Load: 4.5A max.
 DC Connector types: Plug 2.1x5.5x11 with center springs

WEIGHT	1pc	N.W.: 34g / pc
PACKING	Bunch	20 [pcs]
		G.W.: 0.680 [kg]





Extension Cable Jack 80cm switch

Switch material: RoHS PC UL94V-2
Operating Temperature : 0 ÷ 80[°C]
Length / cable type : 0.8m / 20AWG - 2468
Max. load: 5A
DC Connector : 2.1x5.5x11



WEIGHT	1pc	N.W.: 36g / pc
PACKING	Bunch	80pcs / 1bunch
		G.W.: 2,9 kg / bunch

Extension Cable USB to micro USB 1,4m

Country of Origin : China
 Operating Temperature : 0 ÷ 80[°C]
 Length / cable type : 1.4m / 20AWG – round cable
 Maximum Load: 2.5A
 DC Connector types: USB & micro USB



WEIGHT	1pc	N.W.: 37g / pc
PACKING	Bunch	Various [pcs] 10
		G.W.: 0.370 [kg]

Extension Cable USB to mini USB 1,4m

Country of Origin : China
 Operating Temperature : 0 ÷ 80[°C]
 Length / cable type : 1,4m / 20AWG – round cable
 Maximum Load: 2.5A
 DC Connector types: USB & mini USB



WEIGHT	1pc	N.W.: 36g / pc
PACKING	Bunch	Various [pcs] 10
		G.W.: 0.360 [kg]

Extension cable USB to Plug 1,5m

Country of Origin : China
 Operating Temperature : 0 ÷ 80[°C]
 Length / cable type : 1.5 m / 20AWG – round cable
 Maximum Load: 2.5A
 DC Connector USB & 1.3x3.5x11 with center springs
 USB & 2.1x5.5x11 with center springs



WEIGHT	1pc	N.W.: 50g / pc
PACKING	Bunch	Various [pcs] 10
		G.W.: 0.5 [kg]

Extension cable USB to USB-C 1,0m

Country of Origin : China
 Operating Temperature : 0 ÷ 80[°C]
 Length / cable type : 1.0 m / AWM 20276
 SUPER HIGH SPEED
 DC Connector USB & USB-C



WEIGHT	1pc	N.W.: 33g / pc
PACKING	Bunch	Various [pcs] 10
		G.W.: 0.3 [kg]

Extension Cable USB-C to USB-C 1,0m

Country of Origin : China
Operating Temperature : 0 ÷ 80[°C]
Length / cable type : 1.0m / AWM 2725
SUPER HIGH SPEED
DC Connector types: USB-C & USB-C

WEIGHT	1pc	N.W.: 35g / pc
PACKING	Bunch	Various [pcs] 10
		G.W.: 0.35 [kg]



Cable Splitter 1 Jack to 3 Plugs

Country of Origin : China

Applications: CCTV video extension cable,
DC power splitter,
and all CCTV accessories.

Cable type : 20AWG VW-1 2464 round cable
(Jack 2.1x5.5x11 to 3 Plugs 2.1x5.5x11)

DC Connector : 0.1m + 3x0.2m

Max. Load : 5A



WEIGHT	1pc	N.W.: 44g / pc
PACKING	Plastic bag	50pcs
		G.W.: 2.2kg

Cable Splitter 1 Jack to 5 Plugs

Country of Origin : China

Applications: CCTV video extension cable,
DC power splitter,
and all CCTV accessories.

Cable type : 20AWG VW-1 2464 round cable
(Jack 2.1x5.5x11 to 5 Plugs 2.1x5.5x11)

DC Connector : 0.1m + 5x0.2m

Max. Load : 5A



WEIGHT	1pc	N.W.: 62g / pc
PACKING	Plastic bag	50pcs
		G.W.: 3.1kg

Cable Splitter CHAIN 5

Country of Origin :	China
Applications:	CCTV video extension cable, DC power splitter, and all CCTV accessories.
Cable type :	22AWG VW-1 2464 round cable
DC Connector :	(Jack 2.1x5.5x11 to 5 Plugs 2.1x5.5x11) 5x0.18m
Max. Load :	5A



WEIGHT	1pc	N.W.: 54g / pc
PACKING	Plastic bag	100pcs
		G.W.: 5.4kg

Reduction 2.1x5.5 Jack to 1.1x2.3 Plug (S)

Center springs : No		
WEIGHT	1pc	N.W.: 4.0g / pc
PACKING	Plastic bag	100pcs
		G.W.: 0.400 kg



Reduction 2.1x5.5 Jack to 1.1x3.0 Plug (S)

Center springs : No		
WEIGHT	1pc	N.W.: 4.0g / pc
PACKING	Plastic bag	100pcs
		G.W.: 0.400 kg



Reduction 2.1x5.5 Jack to 1.1x3.5 Plug (S)

Center springs : No		
WEIGHT	1pc	N.W.: 4.0g / pc
PACKING	Plastic bag	100pcs
		G.W.: 0.400kg



Reduction 2.1x5.5 Jack to 1.3x3.5 Plug (S)

Center springs : No		
WEIGHT	1pc	N.W.: 4.9g / pc
PACKING	Plastic bag	100pcs
		G.W.: 0.488 kg



Reduction 2.1x5.5 Jack to 1.5x5.5 Plug (S)

Center springs : No		
WEIGHT	1pc	N.W.: 5.3g / pc
PACKING	Plastic bag	100pcs
		G.W.: 0.537 kg



Reduction 2.1x5.5 Jack to 1.7x4.0 Plug (S)

Center springs : Yes		
WEIGHT	1pc	N.W.: 4.9g / pc
PACKING	Plastic bag	100pcs
		G.W.: 0.493 kg



Reduction 2.1x5.5 Jack to 1.7x4.8 Plug (S)

Center springs : Yes		
WEIGHT	1pc	N.W.: 5.2g / pc
PACKING	Plastic bag	100pcs
		G.W.: 0.516 kg



Reduction 2.1x5.5 Jack to 1.7x5.5 Plug (S)

Center springs : Yes		
WEIGHT	1pc	N.W.: 5.4g / pc
PACKING	Plastic bag	100pcs
		G.W.: 0.536 kg



Reduction 2.1x5.5 Jack to 2.1x5.5 Plug (L) 90°

Center springs : Yes		
WEIGHT	1pc	N.W.: 6.1g / pc
PACKING	Plastic bag	100pcs
		G.W.: 0.613 kg



Reduction 2.1x5.5 Jack to 2.5x5.5 Plug (S)

Center springs : Yes		
WEIGHT	1pc	N.W.: 6g / pc
PACKING	Plastic bag	100pcs
		G.W.: 0.601 kg



Reduction 2.1x5.5 Jack to 2.5x5.5 Plug (L)

Center springs : Yes		
WEIGHT	1pc	N.W.: 6.1g / pc
PACKING	Plastic bag	100pcs
		G.W.: 0.613 kg

